

PREVOST

Instruction Sheet

IS-12026

LATCH AND STRIKER PROXIMITY SWITCH – COMPRESSOR DOOR X3-45

ON THE ENGINE COMPARTMENT CURB-SIDE DOOR, USE THIS KIT TO INSTALL AN UPDATED PROXIMITY SWITCH SUPPORT AND TARGET INTEGRATED WITH THE LATCH MECHANISM.

This instruction sheet can be performed in conjunction with IS-12059, kit 068622. (Proximity switch improvement on compressor and engine compartment doors)

MATERIAL

Kit #289005 includes the following parts:

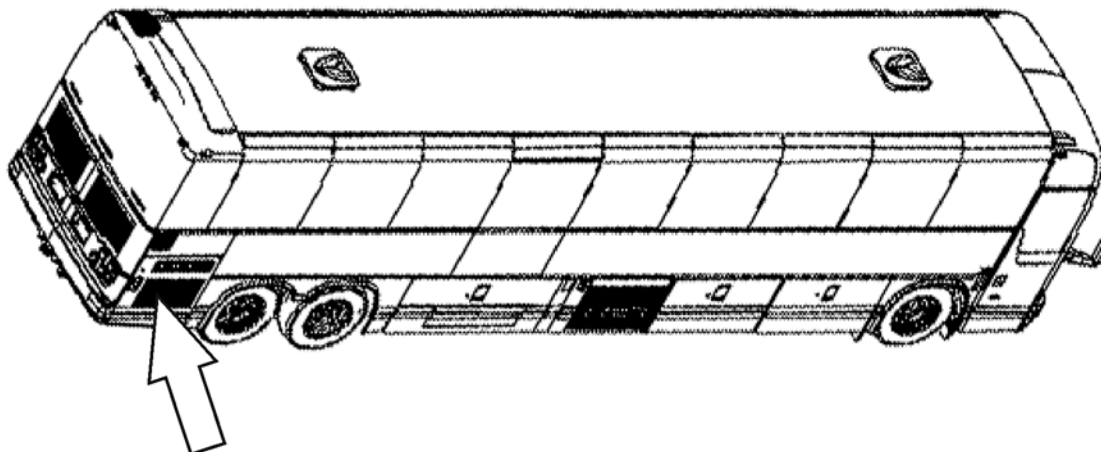
Part No.	Description	Qty
286688	Decal "Door Opening..."	1
287271	Shoulder rivet	1
288124	Striker	1
288125	Latch assembly	1
FI-12026	Feuille d'instructions	1
IS-12026	Instruction sheet	1

PROCEDURE



DANGER

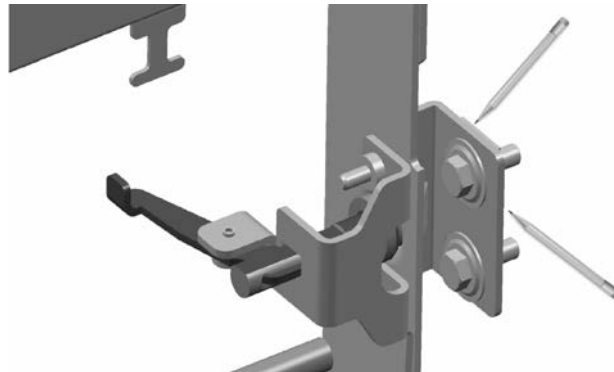
Park vehicle safely, apply parking brake, stop engine and set battery master switch(es) to the OFF position prior to working on the vehicle.



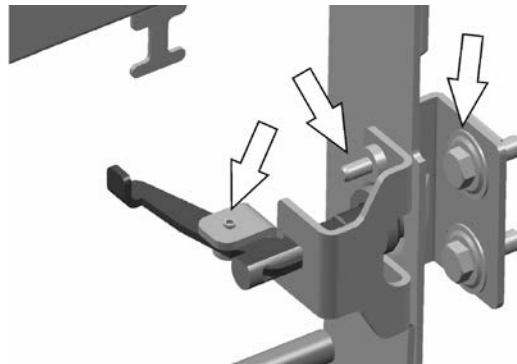
1. Uninstall the existing proximity switch.
Keep hardware, wiring and switch for re-install.
Do not unplug.
Cut the cable ties securing the switch harness.



2. Mark existing striker location on bus frame to help kit installation.



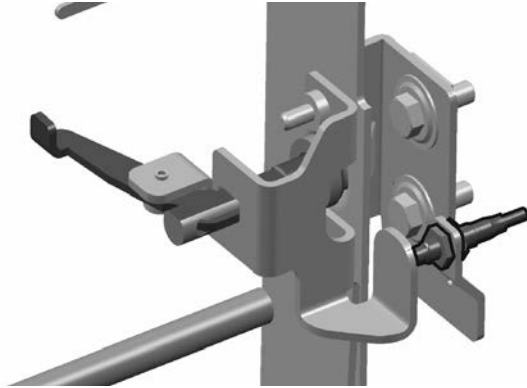
3. Remove latch and striker bolts.
Remove the rivet holding the lever to the latch bracket.
Keep mounting hardware for later use.



-
4. Install the new striker in the marked location.

Re-install the proximity switch at new location.

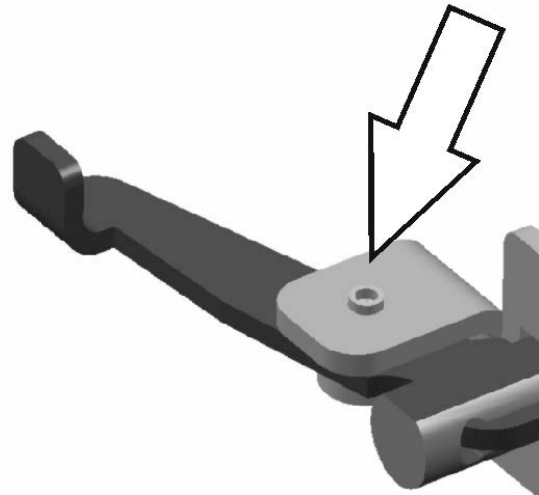
Secure the harness with cable ties.



5. Install the latch lever on the new latch assembly with the supplied rivet. Slip the lever in the lock bolt notch.

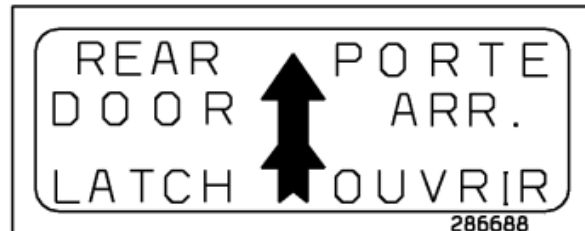
Support lever and latch on a solid surface. Use a hammer to flatten rivet.

Install the latch bracket on door frame



6. On some vehicles, the rear door latch decal may become hidden by the new brackets.

If this is the case, install this decal at a visible location on the vertical beam of the bus frame.



7. Test door operation.

Close the door and adjust proximity switch gap by the rear engine door.

Use feeler gage to adjust gap to .08" (2mm)

PARTS / WASTE DISPOSAL

Discard waste according to applicable environmental regulations (Municipal/State[Prov.]/ Federal)