

PREVOST

Instruction Sheet

IS-12900

Temperature control installation

Replaces 871092 and 871093.

H series vehicles V-1799 to W-2284 incl.

This kit updates the Driver's area temperature control on your vehicle. Route the harness from the thermostat connector up to the right hand console and dash area.

MATERIAL

Kit #IS-12900 includes the following parts:

Part No.	Description	Qty
068543	Harness	1
870868	Sensor	1
871075	Potentiometer	1
952627	Clamp	1
F112900	Feuille d'instructions	1
IS12900	Instructions Sheet	1

PROCEDURE



DANGER

Park vehicle safely, apply parking brake, stop engine and set battery master switch(es) to the OFF position prior to working on the vehicle.

OVERVIEW

The procedure replaces the existing thermostat control (A) with a new potentiometer (B) and a sensor (C) (Fig 1 & 2). The harness will connect to the existing connectors on vehicle side without modification to vehicle side harness.

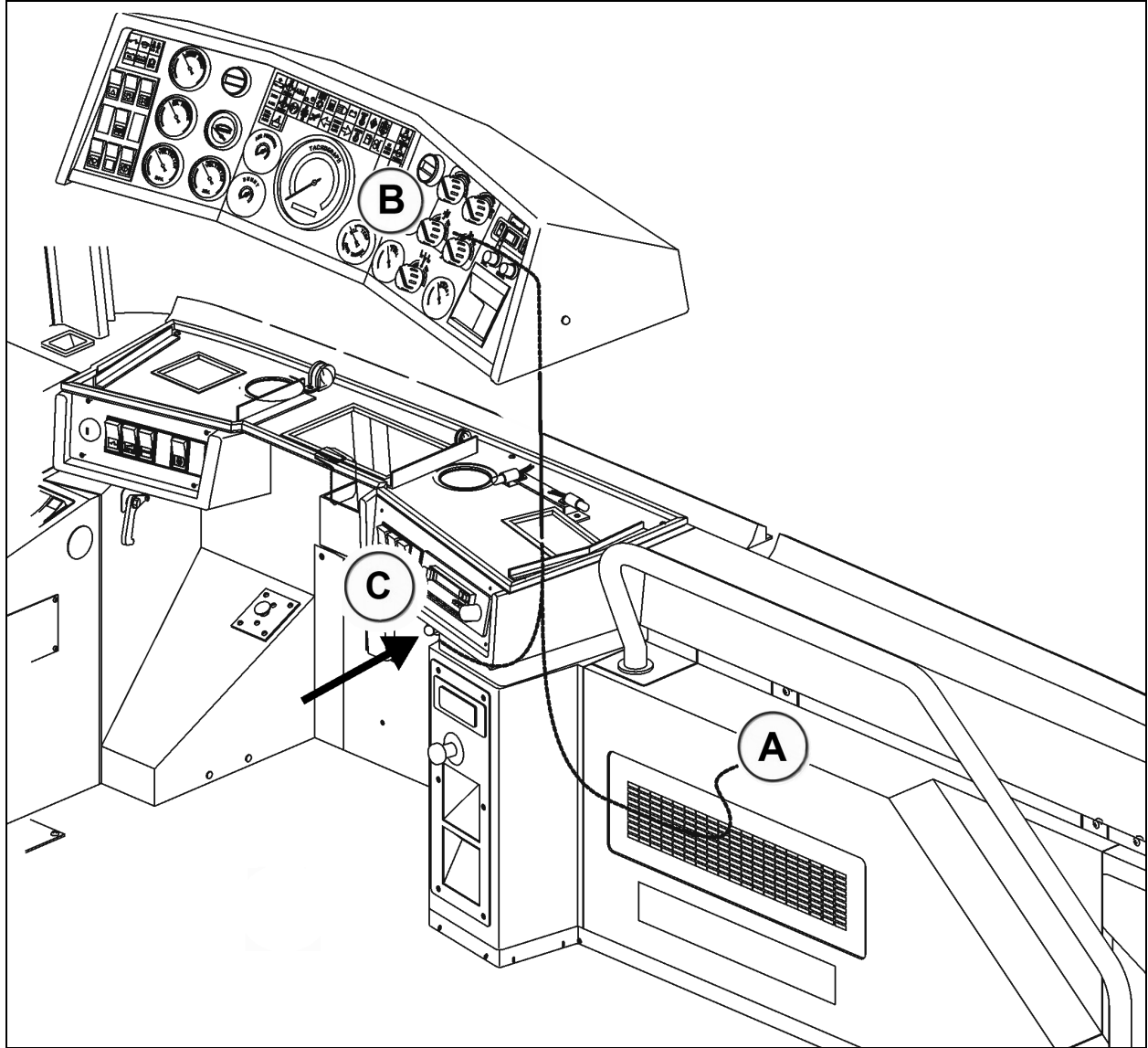


Figure 1 : Overview

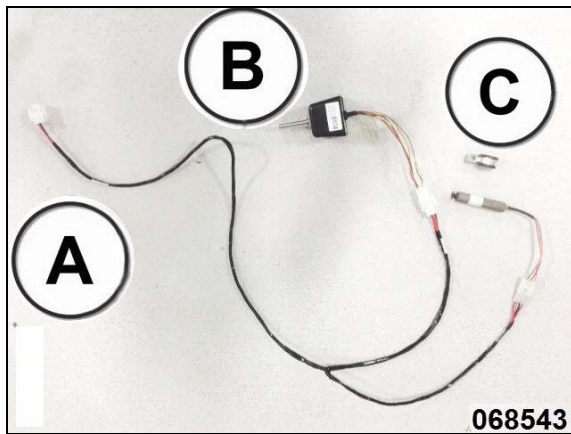


Figure 2 : 068543 Harness and components

LOCATION A:

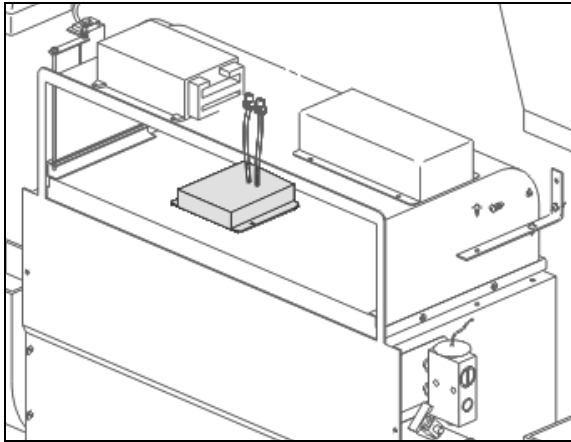


Figure 3 : Thermostat

1. Open the RH access panel to access the thermostat located in the defrost unit.
2. Unplug and discard thermostat unit. (Fig 3)
3. Take 068543 harness from kit and connect C356 connector to vehicle harness.
4. Route harness towards the left up to RH console and RH dashboard.(Fig 4)

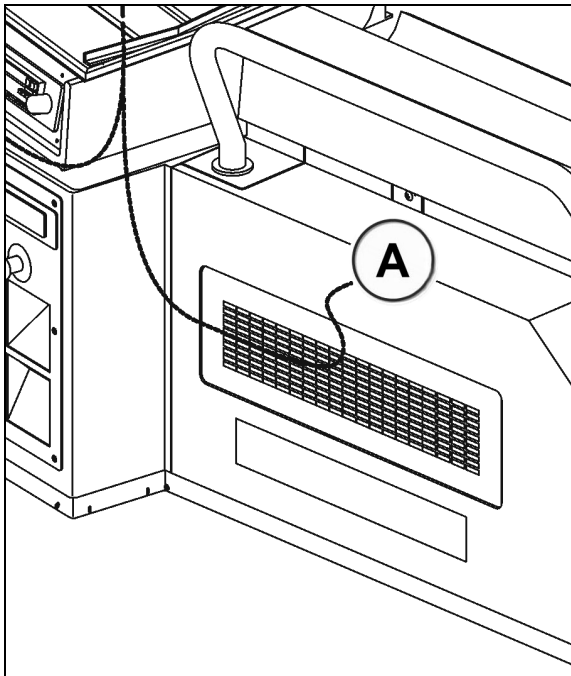


Figure 4 : « A » Routing

LOCATION B:

1. Remove existing potentiometer in dashboard and replace with 871075. Connect to harness (Fig 2 & 5)

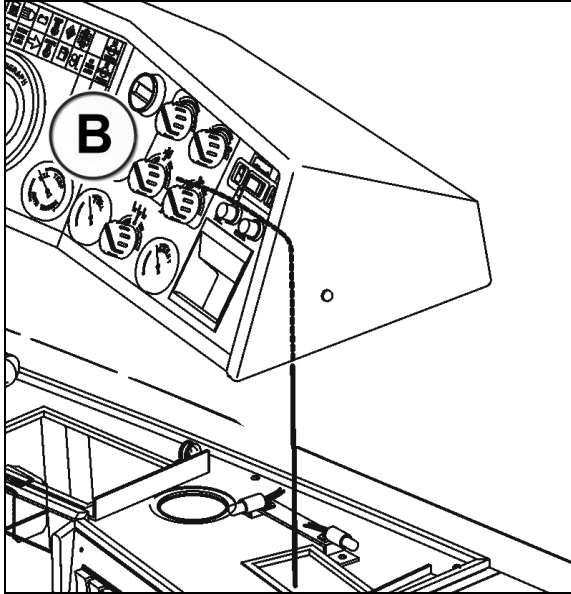
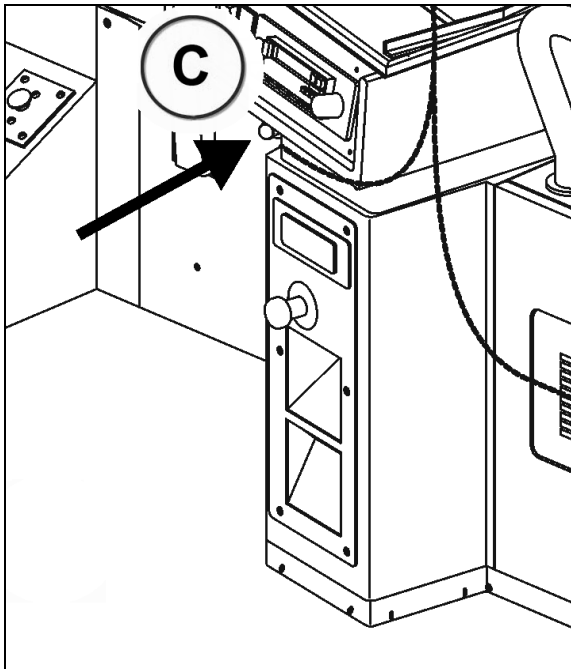


Figure 5 « B » Routing

LOCATION C :

1. Pass harness through LH wall of console and connect temperature sensor 870868. (Fig 6 & 2)
2. Fix with clamp 952627 at arrow location (Fig. 6). Use locally available hardware.



3. Figure 6 « C » routing

SYSTEM TEST:

Test proper operation of temperature control.

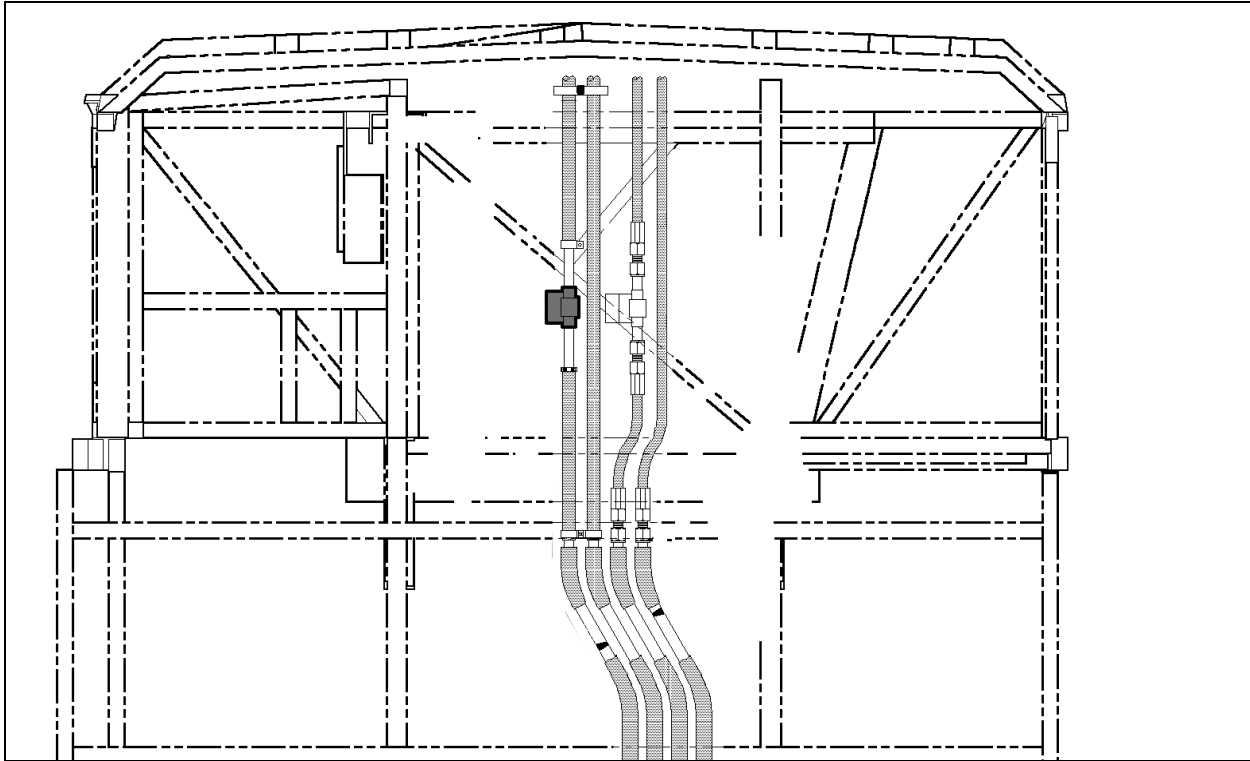


Figure 7 : Front (driver's) heater valve location

Locate the driver's heater valve located on the spare tire compartment ceiling along the heater lines (Fig. 7).

Place battery master switch to the "ON" position. Leave parking brake applied. Start engine.

Measure voltage to the heater valve coil connection in the following conditions:

- Place the heater control to "Full Heat". Valve coil should be de-energized (0V).
- Place the temp control to "Full A/C". Valve coil should be energized (between 24V - 28V).

END OF PROCEDURE