



MAINTENANCE INFORMATION

MI16-08B

DATE :	October 2016	SECTION :	05 COOLING
SUBJECT :	"Kit Masters" Fan Clutch New Locking Method		

Revision: B

New clutch number 550057, was 550966

06-08-2018

IMPORTANT NOTICE

This modification is recommended by PrevoSt to increase your vehicle's performance. Note that no reimbursement will be awarded for carrying out this modification.

DESCRIPTION

On receiving your Kit Masters fan clutch you may notice a new method of locking the electromagnetic clutch in the event of a failure.

These new electromagnetic clutches will feature locking tabs in replacement of the locking bolts. Applies to part number **550965; 550057 & 550974** up to vehicles B-1834 (H-Series) & B-5049 (X-Series).

New longer belts are now available for **550057**. Use belt #506064 for long fan drive. (See [IS-17908](#) for first installation instructions). Use belt #506060 for short fan drive.

PROCEDURE



DANGER

Park vehicle safely, apply parking brake, stop engine. Prior to working on the vehicle, set the ignition switch to the OFF position and trip the main circuit breakers equipped with a trip button. On Commuter type vehicles, set the battery master switch (master cut-out) to the OFF position.

FAN CLUTCH MODEL IDENTIFICATION

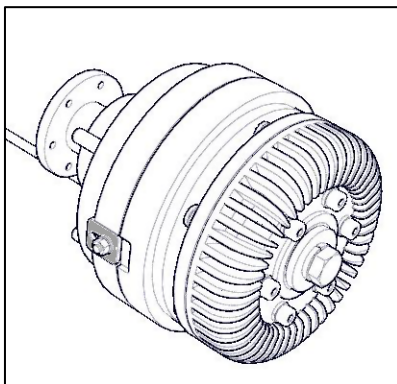


Figure 1: 550965

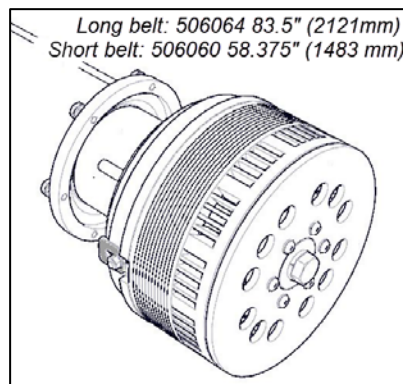


Figure 2: 550057

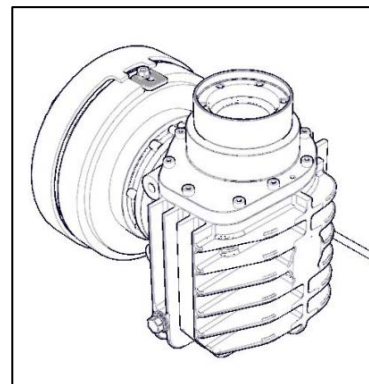


Figure 3: 550974

1. The new design clutches have a pre-installed locking tab.
2. The rotor has a two notches machined in it to receive the tabs. The same principle is used on all models shown above.

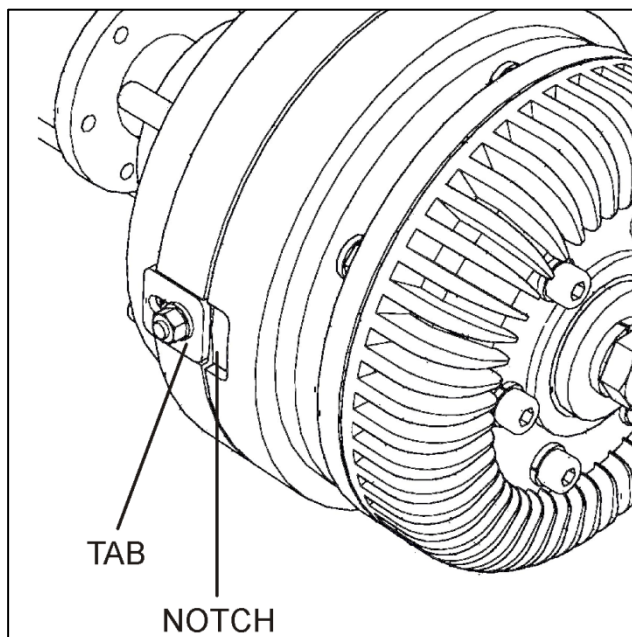


Figure 4 Clutch locking tab « normal » state

3. Clutch locking instructions:
 - A. Loosen the tab nut
 - B. Rotate to align the notch with the tab
 - C. Slide the tab in the notch.
 - D. Tighten the nut.
 - E. Rotate the clutch 180 deg.
 - F. Loosen the *second* tab nut.
 - G. Slide the *second* tab in the notch.
 - H. Tighten the nut.

TORQUE: 10 lb-ft (13.5 Nm)

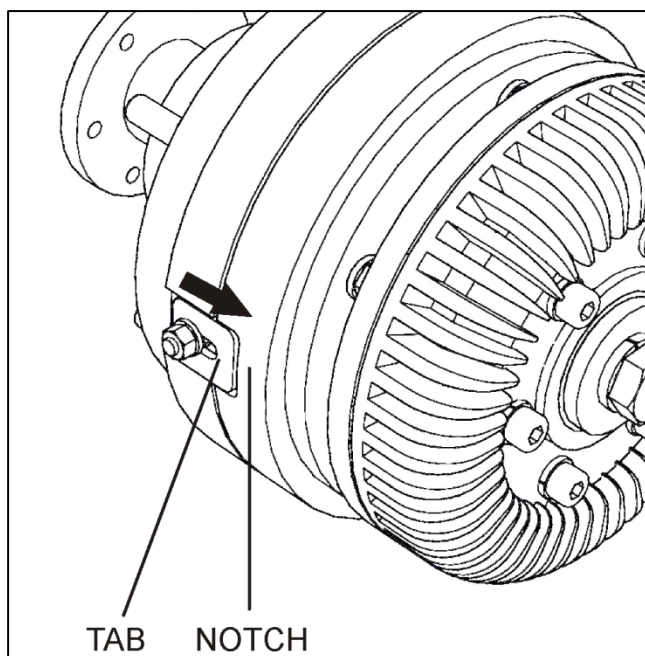


Figure 5 : Clutch in « locked » state

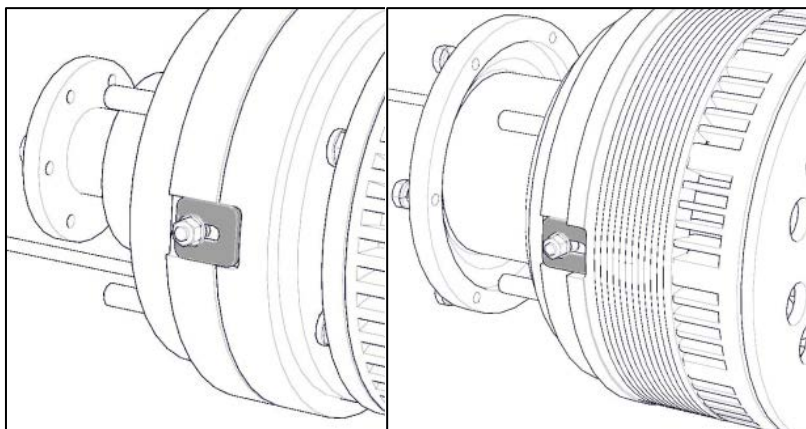


Figure 6:550965

Figure 7:550057

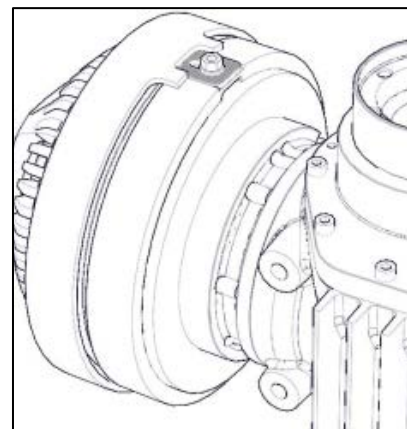


Figure 8: 550974

PARTS / WASTE DISPOSAL

Discard according to applicable environmental regulations (Municipal/State[Prov.]/ Federal)

Access all our Service Bulletins on <http://techpub.prevostcar.com/en/>
Or scan the QR-Code with your smart phone

Are you a Vehicle owner?
E-mail us at technicalpublications_prev@volvo.com and type "ADD" in the subject to
receive warranty bulletins applicable to your vehicle(s) by e-mail.

