

PREVOST

Instruction Sheet

IS-15113

7 Pivots Luggage Door Hinge Replacement

MATERIAL

Kit #280387 includes the following parts:

Part No.	Description	Qty
280043P	Hinge 7 pivots, luggage w assy.	1
280103	Plate, adjustment	2
5001912	SCR CAP HEX SS NSS M8X30	4
502780	SCR CAP HEX SS NSS M8X25	5
500321	WSH BEL SPR N500 .331X.827X.098	9
5001852	NUT HEX SS NSS M8-1.25	3
5001989	SCR CAP HEX SS NSS M8X1.25X40	2
280598	Door arm, assy.	1
IS-15113	Instruction sheet (EN)	1
FI-15113	Instruction sheet (FR)	1

NOTE

Material can be obtained through regular channels.

PROCEDURE



DANGER

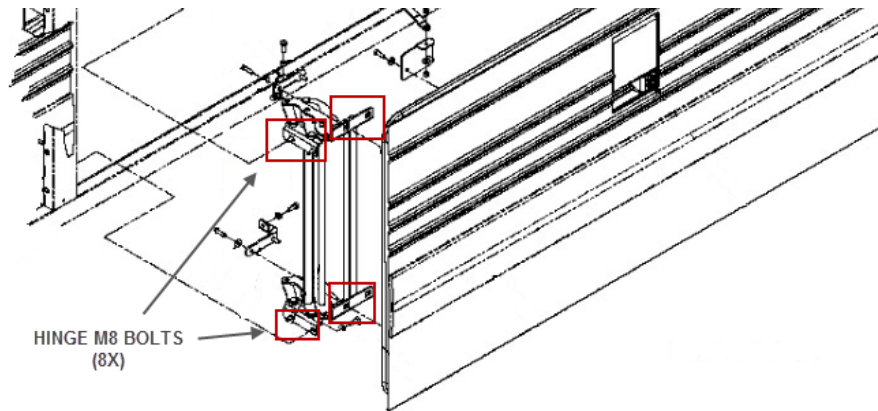
Park vehicle safely, apply parking brake, stop engine. Prior to working on the vehicle, set the ignition switch to the OFF position and trip the main circuit breakers equipped with a trip button.

1. Open the door and support it on its lower edge without applying upward pressure. A wheeled lift table (or equivalent mobile lifting equipment) and a V shaped wood block are recommended.

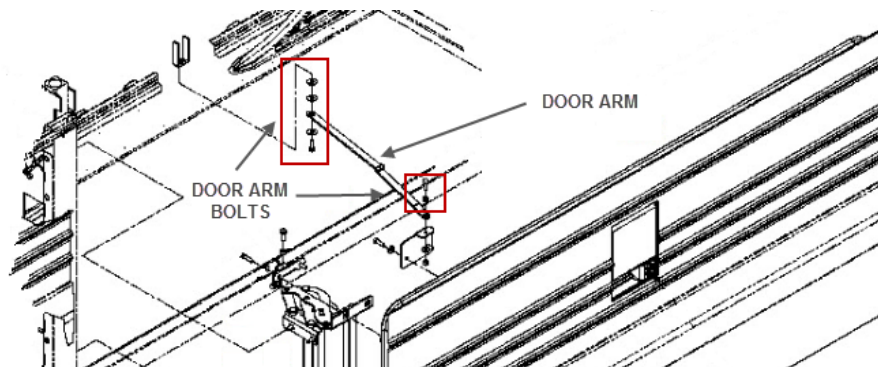


2. Remove the hinge from the vehicle (door and frame structure 8X M8 hex bolts).

3. Install the new hinge using the supplied hardware (M8X30 Door - M8X25 Structure).

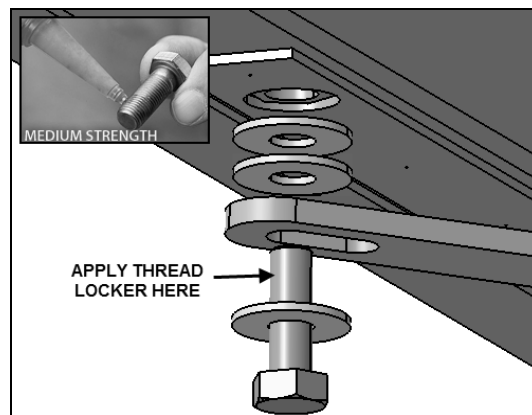


4. Remove the door support arm (unscrew from vehicle structure & door side) and discard the arm.



5. Install the new shorter door support arm following hardware stacking order below at the structure point.

Apply medium strength thread locker (blue Loctite 243 or equivalent) to the bolt threads *at the vehicle structure only* and tighten just enough to feel a *slight* resistance between washers and arm when moving (no specific torque value applies here, arm movement must remain smooth).

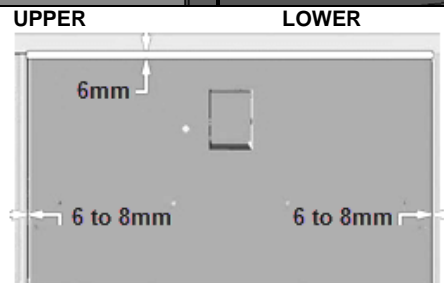
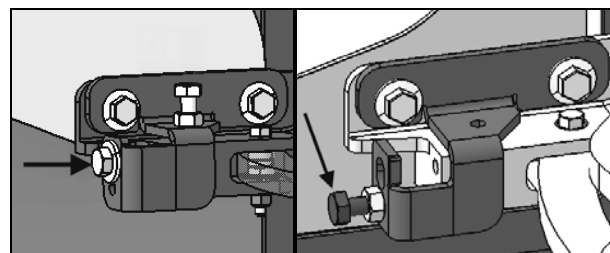
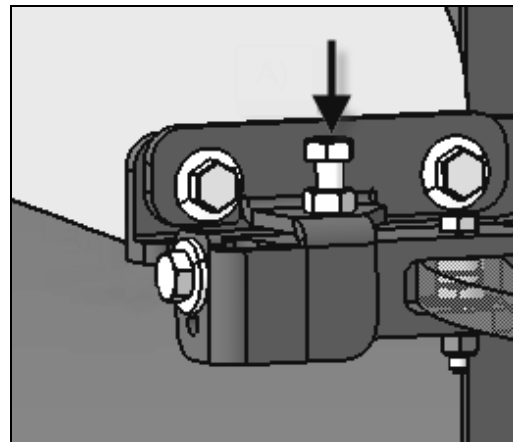
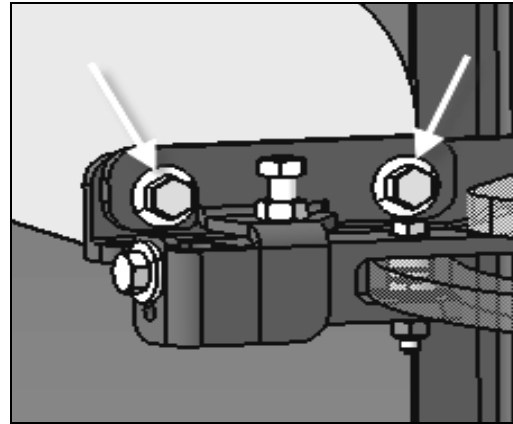


6. Adjust the door horizontal and vertical gaps following the adjustment procedure described below.

LUGGAGE DOOR ADJUSTMENT PROCEDURE

1. Install the adjusting hardware supplied in the kit (M8X25 vertical – M8X40 (2X) horizontal).
2. Loosen the screws (upper & lower) fixing the hinge to door assembly. Loosening the screws allows the door assembly to be shifted "LEFT or RIGHT" and "UP or DOWN".
3. Using the top adjusting screws, adjust door to get a 6mm gap at the top (vertical adjustment).
4. Using the 2 side adjusting screws (top and bottom), adjust door to get a 6mm to 8mm lateral (horizontal) gap*.

**Horizontal gap must be equal on both sides.*



PARTS / WASTE DISPOSAL

Discard waste according to applicable environmental regulations (Municipal/State[Prov.]/ Federal)