

**PREVOST**

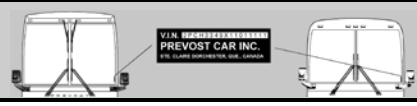
**WARRANTY  
BULLETIN**

**WB18-09**

DATE :	March 2018	SECTION :	06 ELECTRICAL
EXPIRATION:	March 2020		
SUBJECT :	<b>BATTERY GROUND CABLE CRIMPING</b>		

First Release

**APPLICATION**

<b>NOTICE TO SERVICE CENTERS</b>	
<i>Verify vehicle eligibility by checking warranty bulletin status with <b>SAP</b> or via <b>ONLINE WARRANTY SYSTEM</b> available on Service / Warranty tab of Prevost website.</i>	
Model	VIN 
X3-45 coaches Model Year : 2018	The following vehicles : 2PCG33495 <u>JC736264</u> , 2PCG33497 <u>JC736265</u> , 2PCG33499 <u>JC736266</u> , 2PCG33490 <u>JC736267</u> , 2PCG33492 <u>JC736268</u> , 2PCG33496 <u>JC736273</u> , 2PCG3349X <u>JC736275</u> , 2PCG33491 <u>JC736276</u> , 2PCG33493 <u>JC736277</u> , 2PCG33495 <u>JC736278</u> , 2PCG33497 <u>JC736279</u>
X3-45 VIP motorhomes Model Year : 2018	2PCBS3491 <u>JC736274</u>
X3-45 VIP commercial use Model Year : 2018	2PCCS3490 <u>JC736271</u> , 2PCCS3493 <u>JC736281</u>
This bulletin does not necessarily apply to all the above-mentioned vehicles, some vehicles may have been modified before delivery. The owners of the vehicles affected by this bulletin will be advised by a letter indicating the Vehicle Identification Number (VIN) of each vehicle concerned.	

**DESCRIPTION**

On the vehicles affected by this bulletin, one of the battery ground cables may have been incorrectly crimped and must be replaced following the procedure below.

**MATERIAL**

Order kit # **WB18-09** which includes the following part(s):

Part No.	Description	Qty
069525	Battery Ground Cable	1

**NOTE**  
Material can be obtained through regular channels.

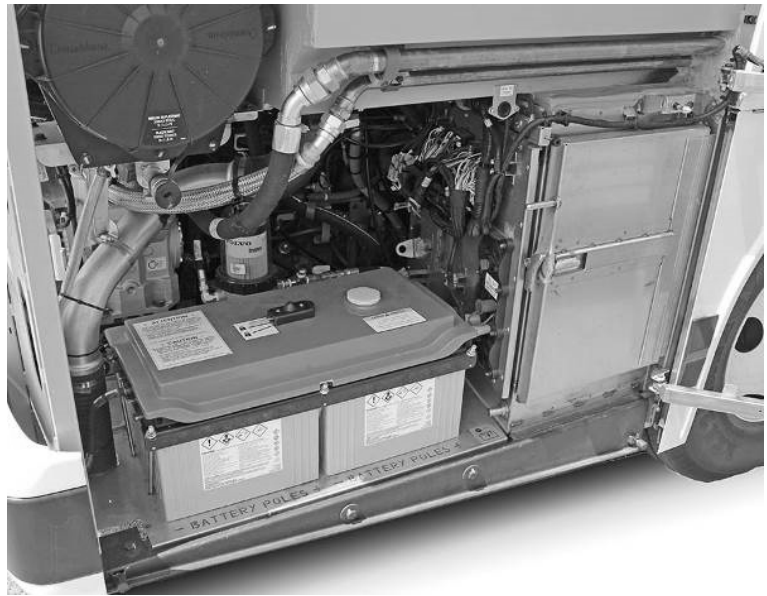
## PROCEDURE



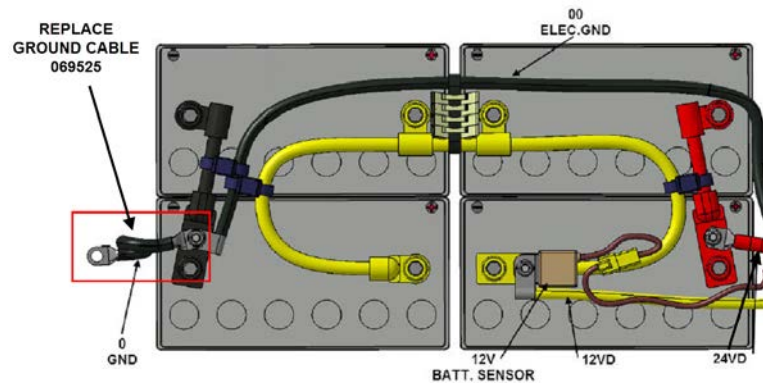
### DANGER

Park vehicle safely, apply parking brake, stop engine. Prior to working on the vehicle, set the ignition switch to the OFF position, trip the main circuit breakers equipped with a trip button and set the battery master switch (master cut-out) to the OFF position.

1. Open the vehicle curb side engine door and remove the battery cover.

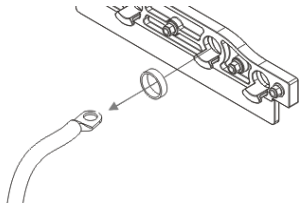


2. Locate the **069525** ground cable connected to the chassis ground stud (left side; see image).



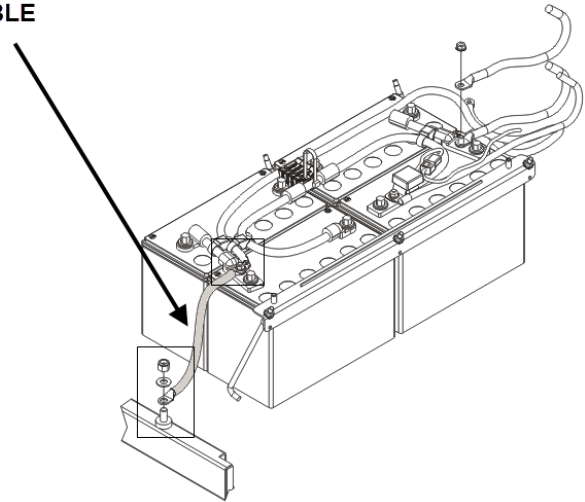
3. Disconnect the cable at the battery terminal and chassis ground stud. Remove the cable from the vehicle.

Slide out of the housing – cut cable tie if present.

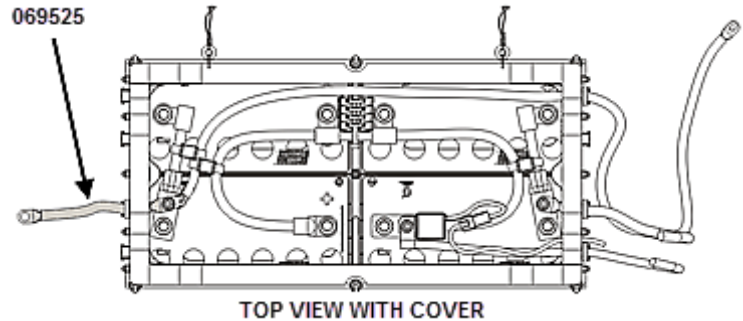


*NOTE: Clean chassis ground stud, remove rubber coating.*

**UNSCREW AND REMOVE CABLE**



4. Replace the cable with the supplied 069525 cable.

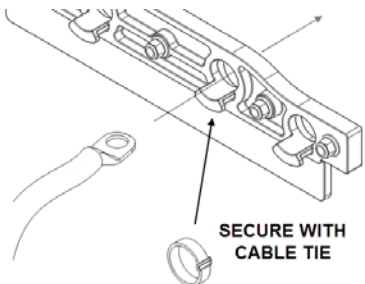


5. Secure the cable at the terminal end and chassis ground stud. Torque nuts to **170 lb-in.**

Apply a strip of torque seal to the fasteners on the battery side of the cable.

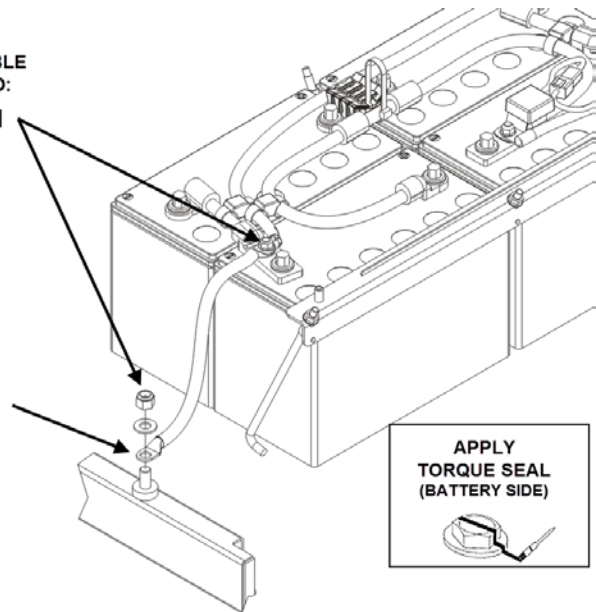
Re-apply rubber coating on the ground stud /chassis connection.

Secure the cable to the plastic housing using a large cable tie.



**SECURE CABLE  
TORQUE TO:  
170 LB-IN**

**APPLY  
PROTECTIVE  
RUBBERIZED  
COATING**



**APPLY  
TORQUE SEAL  
(BATTERY SIDE)**

6. Set the battery master switch to the ON position and reset the main circuit breakers. Put back the battery cover and start the vehicle.



## PARTS / WASTE DISPOSAL

All replaced parts must be returned to Prevest according to the Return Shipping Instructions available on <https://www.prevestcar.com/content/warranty-documents> for full reimbursement. A copy of the warranty claim form must be enclosed with the shipment.

Discard waste according to applicable environmental regulations (Municipal/State[Prov.]/ Federal)

## WARRANTY

This modification is covered by Prevest's normal warranty. We will reimburse you the parts and 1/2 hour (0.5) of labor upon receipt of the parts and a warranty claim. Please submit claim via our Online Warranty System, available at [www.prevestcar.com](http://www.prevestcar.com) (under Service \ Warranty section). Use Claim Type: "Bulletin/Recall" and select "Warranty Bulletin WB18-09".

## OTHER

VBC Bulletin	N/A
Fail Code	06.11
Defect Code	09
Syst. Cond	B
Causal Part	069525

Access all our Service Bulletins on  
<http://techpub.prevestcar.com/en/>  
or scan the QR-Code with your smart phone.

**Are you a Vehicle owner?** E-mail us at  
***technicalpublications\_prev@volvo.com*** and type "ADD" in the  
subject to receive warranty bulletins applicable to your vehicle(s)  
by e-mail.

