



**MAINTENANCE  
INFORMATION**

**MI18-05**

DATE :	May 2018	SECTION :	12 BRAKE & PNEUMATIC
SUBJECT :	TAG AXLE AIR SPRING VALVE IMPROVEMENT		

First Release

***IMPORTANT NOTICE***  
*This modification is recommended by Prevost to increase your vehicle's performance. Note that no reimbursement will be awarded for carrying out this modification.*

**APPLICATION**

Model	VIN
X3-45 coaches Model Year : 2010 - 2017	<p>Canadian Built: From 2PCG33498AC729907 up to 2PCG33495HC736114 incl.</p>
	<p>US built: From 4RKG33499G9737275 up to 4RKG33490H9737330 incl.</p>

**DESCRIPTION**

On the vehicles affected by this maintenance information, the tag axle air spring valves placed in horizontal position and located above the tag axle may develop lower performance depending on vehicle operating conditions.

These conditions include but are not limited to:

- Winter conditions with road salt and sand
- Significant exposition to sea salt spray in coastal areas
- Dirt road conditions

If these conditions are encountered for a significant period and frequency, valves in a horizontal position with the top exposed may become contaminated, mainly on the spring side, preventing proper travel of the valve spool.

An indication of this contamination would be a valve that is slightly leaking. A visible symptom indicating this condition (although not the sole cause) would be a vehicle leaning on one side when not operated for a significant period of time.

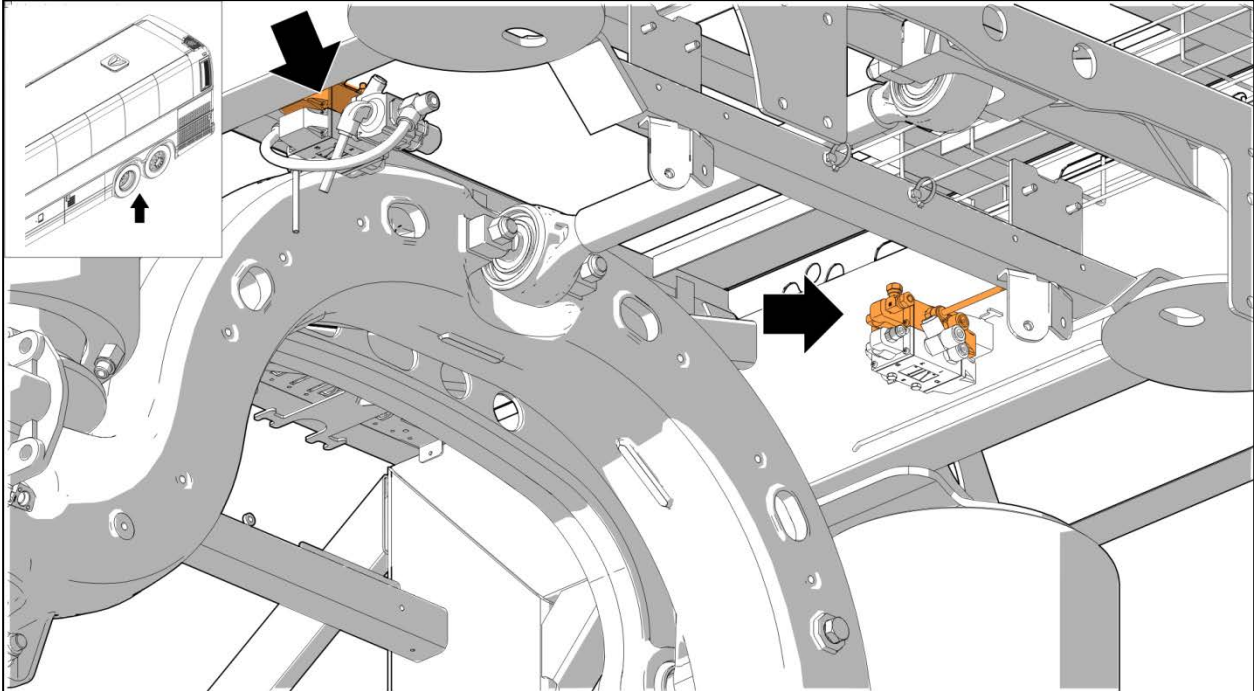


Figure 1 : Valve General Location

To prevent the issue, install valve assembly 130009 in replacement of valve 641274. Valve 130009 has a protective pad applied on the valve body and over the vents to prevent contamination.

## MATERIAL

Order the following parts:

Part No.	Description	Qty
130009	VALVE, 3 WAYS, 2 POSITIONS N.C. WITH VENT PROTECTOR	A/R

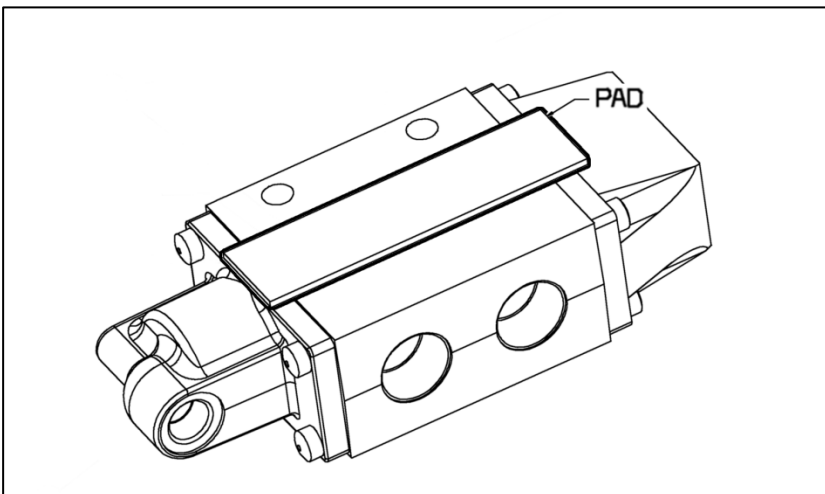


Figure 2 : 130009 valve

## PARTS / WASTE DISPOSAL

Discard according to applicable environmental regulations (Municipal/State[Prov.]/ Federal)

Access all our Service Bulletins on <http://techpub.prevostcar.com/en/>  
Or scan the QR-Code with your smart phone

**Are you a Vehicle owner?**  
E-mail us at [technicalpublications\\_prev@volvo.com](mailto:technicalpublications_prev@volvo.com) and type "ADD" in the subject to  
receive warranty bulletins applicable to your vehicle(s) by e-mail.

