

PREVOST

Instruction Sheet

IS-19916

405842 Audio Converter Replacement for Radio

405842 no longer available.

H –Series Vehicles 2006-2009

First Release

May 16, 2019

MATERIAL

Kit #IS19916 includes the following parts:

Part No.	Description	Qty
066804	ADAPTOR AUDIO SIRIUS SH 8C x 2F RCA	1
562706	CONNECTOR, RCA, MALE, GOLD PLATED; SOLDER ON	2
IS-19916	INSTRUCTION SHEET	1
FI-19916	FEUILLE D'INSTRUCTION	1

NOTE

Material can be obtained through regular channels.

PROCEDURE



DANGER

Park vehicle safely, apply parking brake, stop engine. Prior to working on the vehicle, set the ignition switch to the OFF position and trip the main circuit breakers equipped with a trip button. On Commuter type vehicles, set the battery master switch (master cut-out) to the OFF position.

Lock out & Tag out (LOTO) must be performed during set-up, maintenance or repair activities. Refer to your local procedure for detailed information regarding the control of hazardous energy.

OVERVIEW

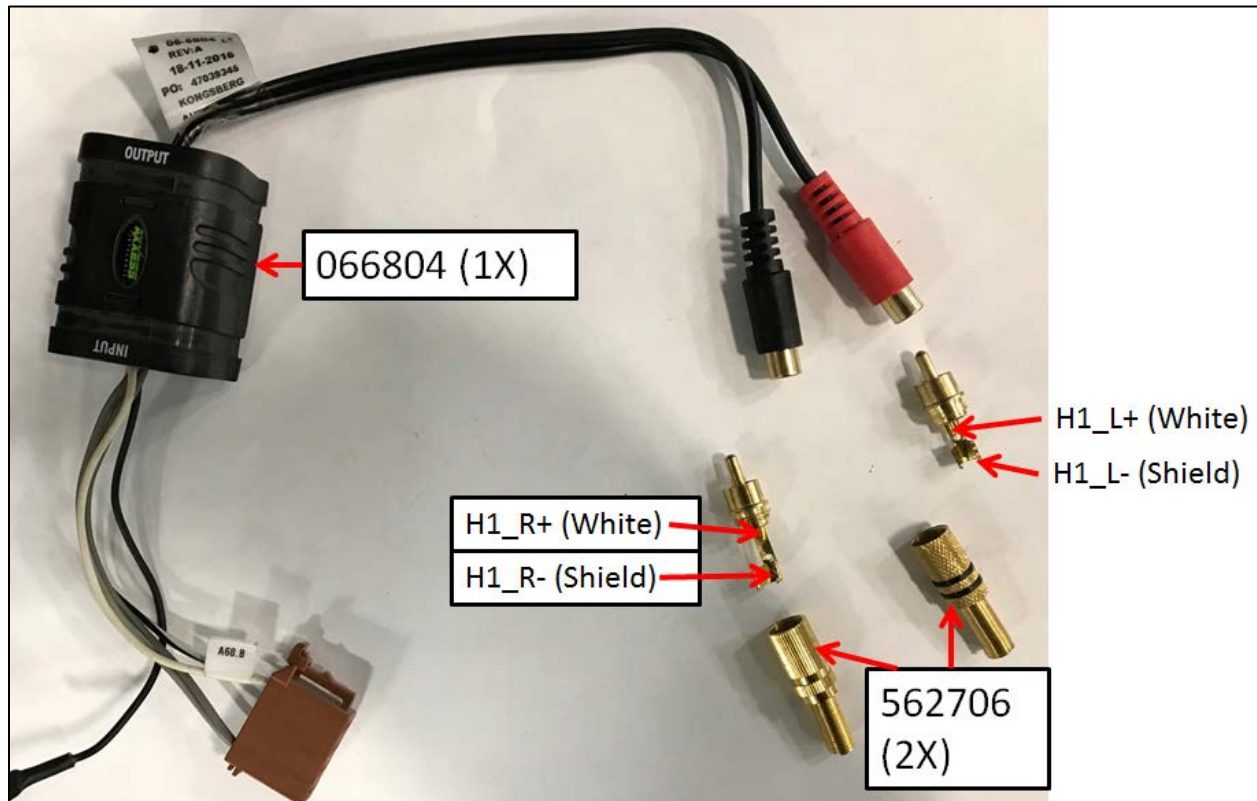


FIGURE 1

1. On the vehicle, remove the dash cover and access the back of the radio unit.
2. Locate connector A63_D.
3. Cut all 4 wires on connector A63_D, Discard 10 pin connector.
4. Solder the wires on new RCA plugs as shown on *figure 1*.
5. Connect RCA plugs with module 066804;
6. Connect module to radio.

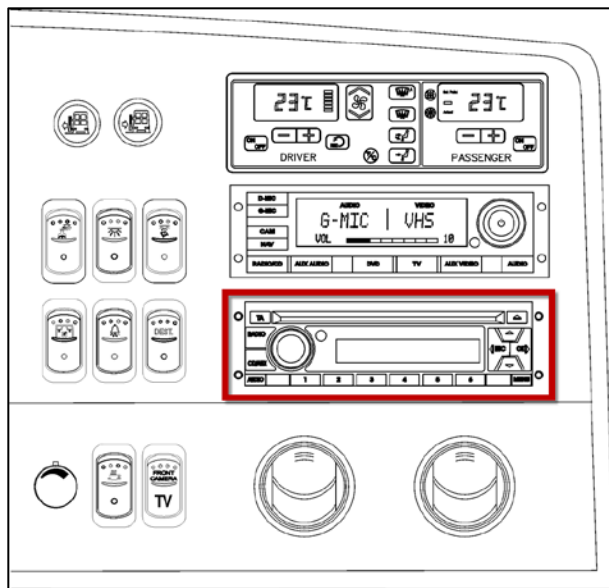


FIGURE 2

PARTS / WASTE DISPOSAL

Discard waste according to applicable environmental regulations (Municipal/State[Prov.]/ Federal)