

# PREVOST

## Instruction Sheet

## IS-19915

### MP-1000 MULTIMEDIA PLAYER INSTALLATION

First Release :

06-27-2019

#### MATERIAL

Order kit # **IS19915** which includes the following parts:

Part No.	Description	Qty
901575	MULTIMEDIA PLAYER (MP-1000)	1
901576	CABLE W/P.BUTTON LH DASH BOARD (MED.PLAY)	1
901564	ADAPTOR, RCA MALE TO BNC FEMALE	1
900856	PAIR CABLE RCA MALE TO MALE 3'	1
901347	CABLE BNC 1 FOOT M-M	1
500965	SCR TC BDG PH N500 8-32X1/2	4
563071*	CONN. MOLEX MINI-FIT 4C SH	1
562483*	TERMINAL FEMALE MOLEX (16ga)	2
561689*	SOCKET, TERM.	2
561565*	CABLE SEAL, PED CONN. - GREEN	2
561783*	CAVITY PLUG PED W-PACK GRN	1
562592*	Wire, 16 AWG, TXL, YELW.	3ft
562586*	Wire, 16 AWG, TXL, BLK.	3ft
561782*	CONNECTOR, WEATHER PACK SHP-3C	1
901135	CABLE, RCA TRIPLE MALE TO MALE 3'	1
505537	TAPE AD1 VELCRO N/A BK 0.14"X2"X50 YD	0.5ft
IS-19915	Instruction Sheet (EN)	1
FI-19915	Instruction Sheet (FR)	1

\* Parts required for vehicles prior to OBD13 (build before H-Series **D-2364** and X-Series **E-5459**)

Other parts that may be required:

Part No.	Description	Qty
564099	Cloth Electrical Tape	As Req.

#### NOTE

Material can be obtained through regular channels.

## PROCEDURE



### DANGER

Park vehicle safely, apply parking brake, stop engine. Prior to working on the vehicle, set the ignition switch to the OFF position and trip the main circuit breakers equipped with a trip button. On Commuter type vehicles, set the battery master switch (master cut-out) to the OFF position.

Lock out & Tag out (LOTO) must be performed during set-up, maintenance or repair activities. Refer to your local procedure for detailed information regarding the control of hazardous energy.

## PART 1: ACTIVATION BUTTON INSTALLATION

1. Install the multimedia player activation button on the driver's lateral console.

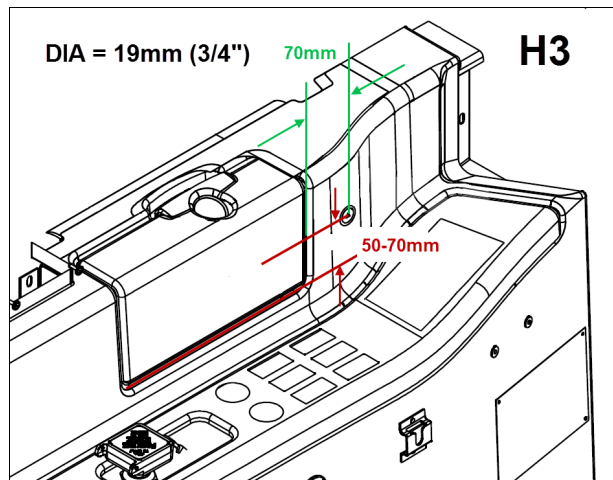
- Drill a 19 mm (3/4in) hole through the side of the console (see images for correct positioning).



a) **H3 Series vehicles:** next to the lateral glove box compartment.

Height: 50 to 70mm (2 to 2.75in) from the lower glove box edge (horizontal edge).

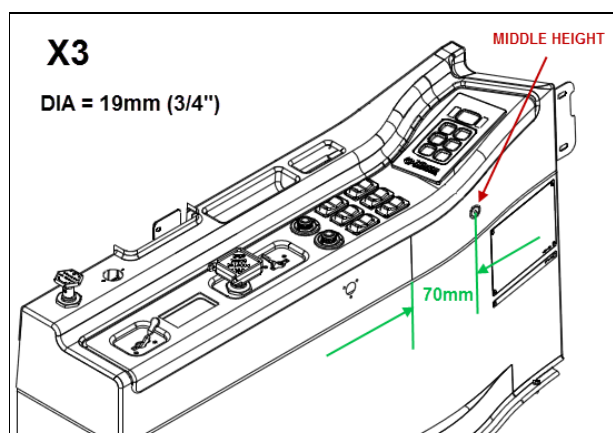
Length: 70mm (2.75in) from the vertical glove box edge.



b) **X3 Series vehicles:** below the transmission control pad.

Height: In the middle height of the plastic trim.

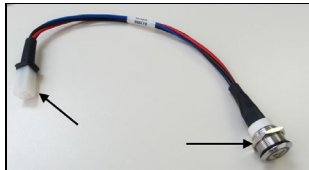
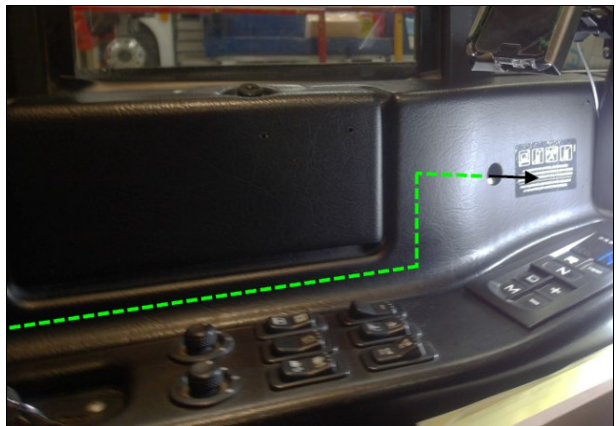
Length: 70mm (2.75in) from the edge of the trim (middle of first switch row).



- Remove the window pillar cover (trim).
- Route the activation button cable inside the front junction box (FJB).  
*Insert the button side with the 4 PIN connector first (disconnect button from the cable).*



- From the front junction box, pass the button cable 4 PIN connector inside the drilled 3/4in hole in the lateral console (H3 vehicles: route cable under the lateral glove box compartment as shown).
- Connect the activation button to the cable.  
*Make sure to insert the cable in the button lock nut first.*



- Secure the button to the lateral console using the lock nut (secure cable with cable ties as required).

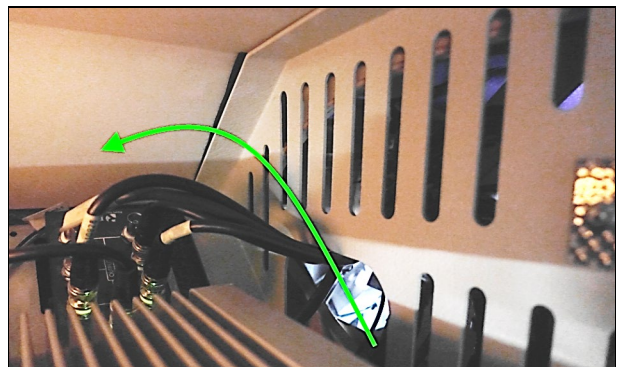


2. Route the other end of the cable (3 PIN connector) inside the parcel rack front compartment.

- Secure the cable to the pillar beam using cable ties up to the parcel rack access.



- Insert the cable in the parcel rack. Pass the cable behind the installed electronic components but do not secure the cable at this point.





## PART 2: MP-1000 INSTALLATION & CONNECTION

1. Find a suitable location for the MP-1000 multimedia player (next to the DVD player is recommended).

Do not secure the MP-1000 at this point.

### NOTE

- *MP-1000 location will vary depending on the vehicle audio video equipment & configuration in the parcel rack (two recommended positions shown).*
- *When mounting the MP-1000 directly on top of other equipment, make sure that it has no detrimental effect on cooling (does not obstruct cooling fins or grilles).*

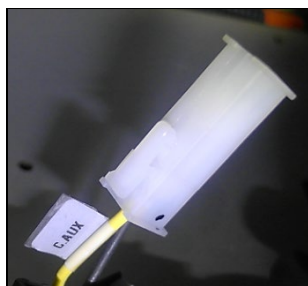
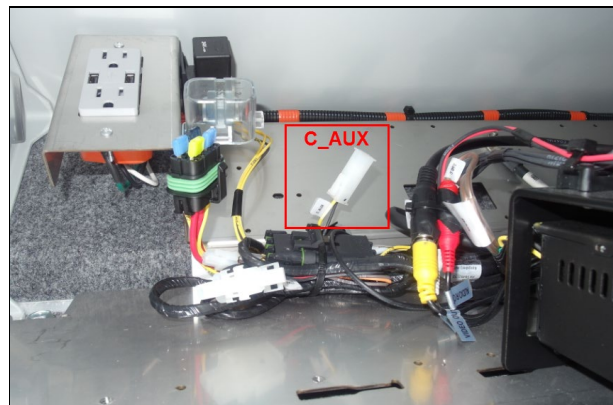
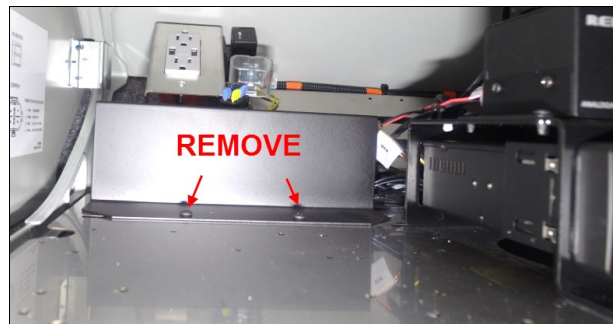


2. Connect the power source to the multimedia player.

- Connect the power source to the square 4 PIN Molex connector at the back of the MP-1000 (power).

- a) **OBD13 Vehicles:** Connect directly to the vehicle 12V C\_AUX connector (Molex type) in the parcel rack.

The C\_AUX connector is located behind the black cover plate in the parcel rack.



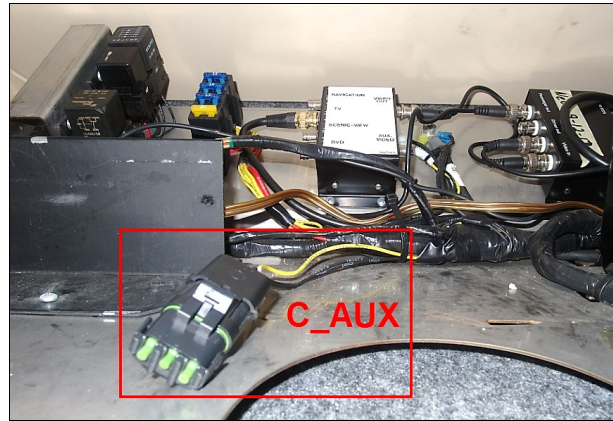
- b) **Vehicles build before OBD13:** Connect to the PED type C\_AUX 12V connector.

**NOTE**

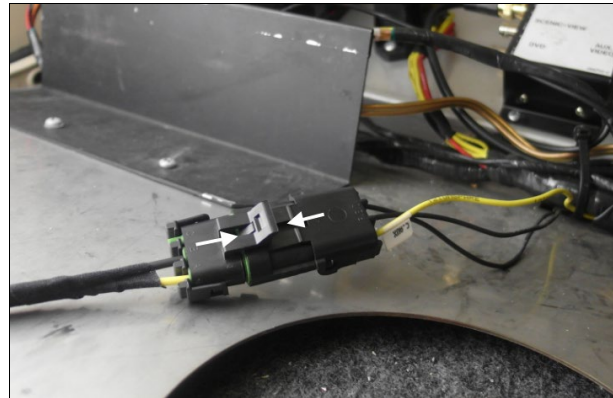
A harness adaptor must be fabricated to connect the MP-1000 to a PED type connector.

Instructions and part list are included at the end of this procedure (parts are included).

See: [MP-1000 HARNESS ADAPTOR FABRICATING INSTRUCTION](#)



- Connect the PED side of the fabricated harness adaptor to the vehicle C\_AUX connector.

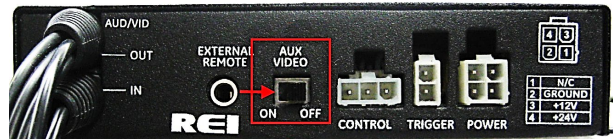


- Connect the Molex side of the harness adaptor to the MP-1000 power connection.



3. Connect the MP-1000 to the vehicle audio/video components.

- Set the AUX VIDEO switch to the ON position.



**NOTE**

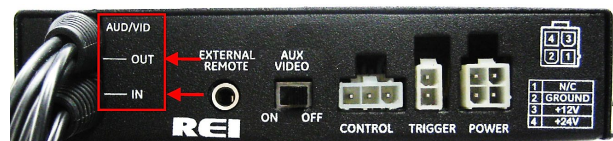
Two types of video connection are possible:

- a) Video connection using regular RCA cables (usually yellow connector).

- Use included **901135** RCA cable.

- b) Video connection using BNC (coaxial) cables.

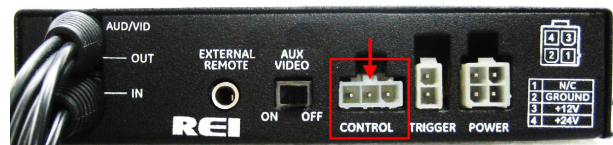
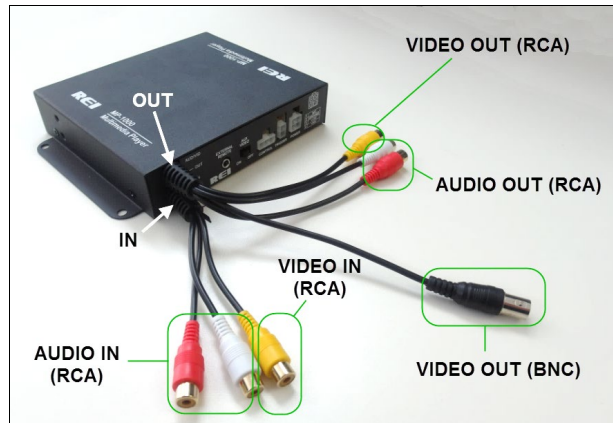
- Use included **900856** RCA cable and **901347** BNC cable connected to **901564** BNC to RCA adaptor.



- Disconnect the DVD player output (OUT) connections (both audio and video cables).
- Reconnect the cables disconnected from the DVD outputs to the MP-1000 outputs (OUT).
- Connect the DVD player outputs (OUT) to the MP-1000 inputs (IN).

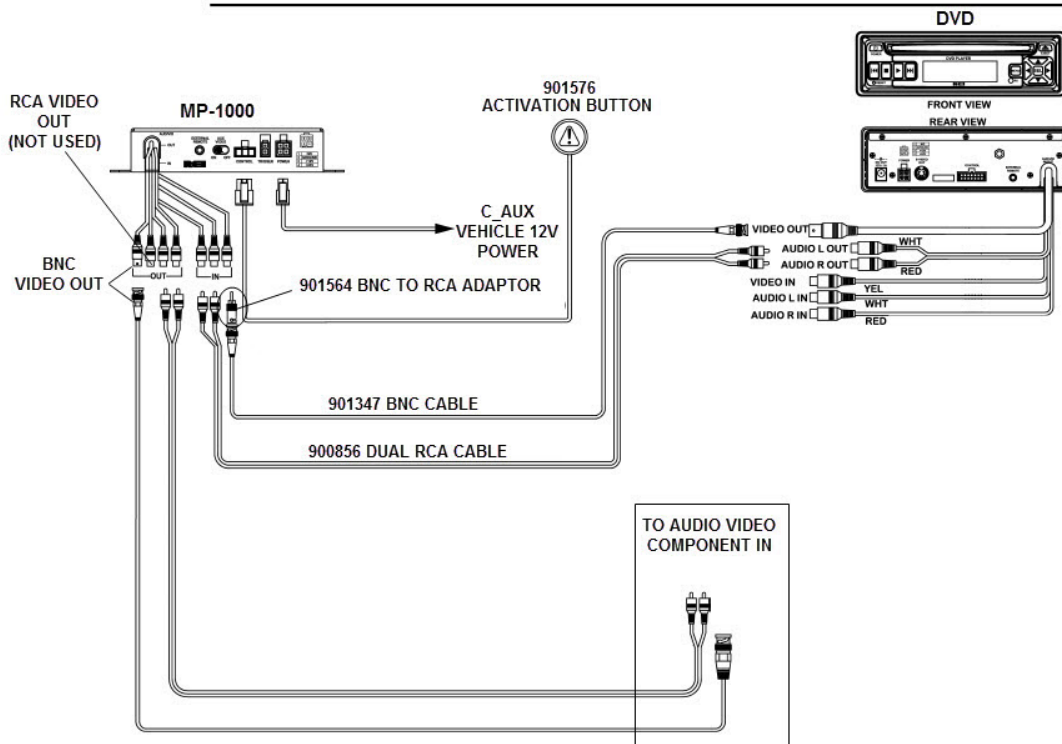
**NOTE**

*It is recommended to wrap electrical tape around the RCA cable to cable connections.*

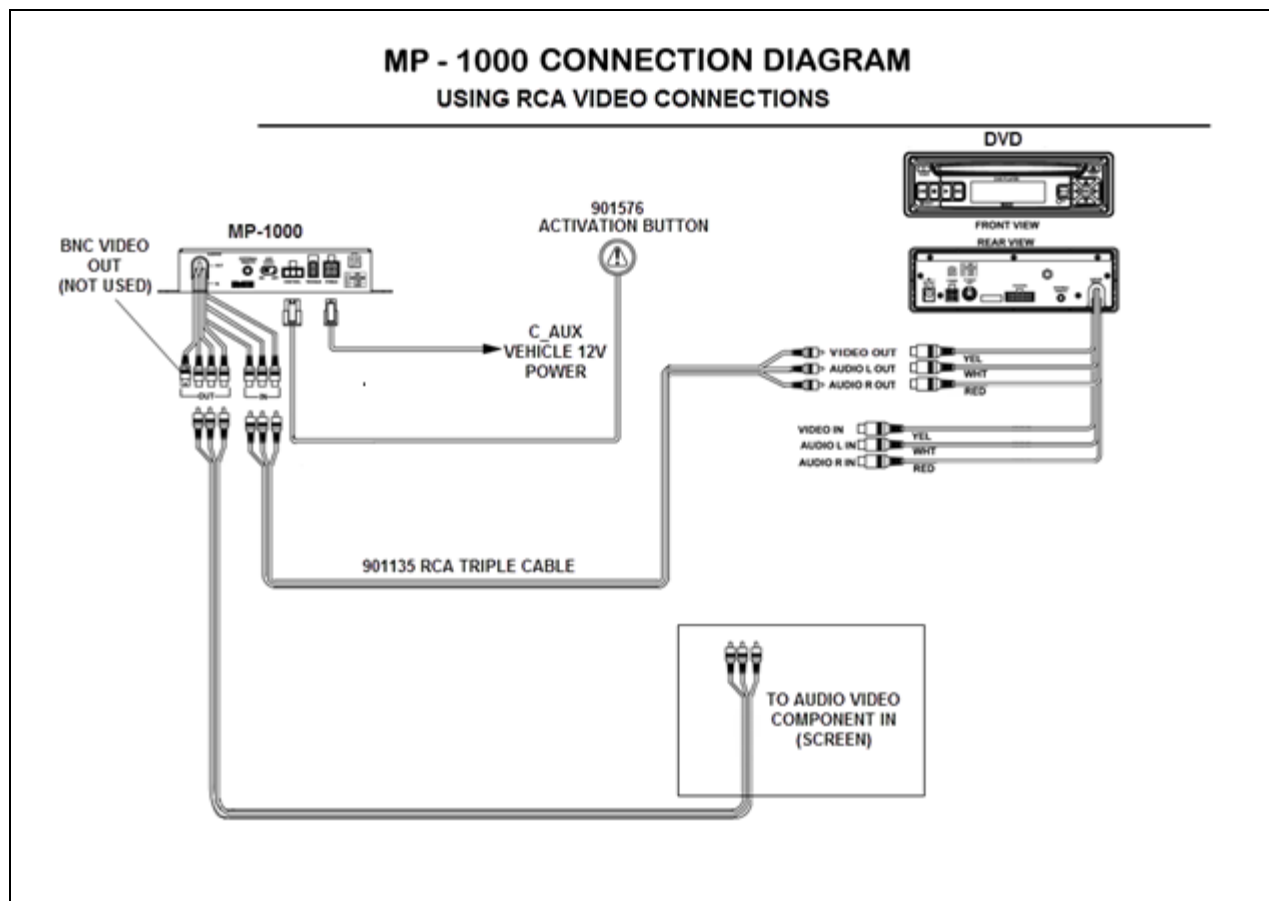


- Connect the activation button cable (previously routed in the parcel rack) to the 3 PIN connector (control) at the back of the MP-1000.

**MP - 1000 CONNECTION DIAGRAM  
USING BNC (COAXIAL) VIDEO CONNECTIONS**







4. Check that the multimedia player is operating properly.
  - Power ON the vehicle electrical circuit and start the audio video system (MP-1000, DVD & screens).
  - Push the activation button and make sure that the priority video is playing (a SIM card with a demo video is included and already installed in the MP-1000).



5. Secure the MP-1000 inside the vehicle parcel rack.
  - Secure the MP-1000 to one of the available locations (mounting bracket or floor) using the supplied **500965** mounting screws.
  - Optionally, secure the MP-1000 using the supplied **505537** high-strength Velcro (cut supplied strip in two; apply one strip to the underside of MP-1000 and other to the selected mounting point). Press firmly to ensure full contact between Velcro strips.

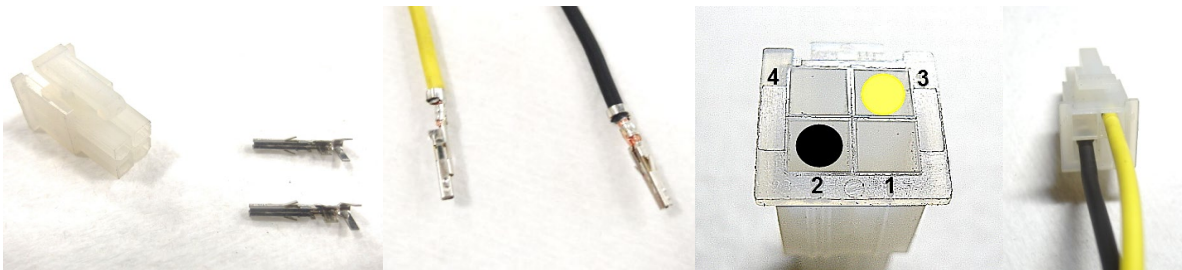




## MP-1000 HARNESS ADAPTOR FABRICATING INSTRUCTION

*This harness adaptor is required to connect a MP-1000 Multimedia Player to the C\_AUX PED type connector used in vehicles build before OBD13 (prior to: H-Series **D-2364** and X-Series **E-5459**)*

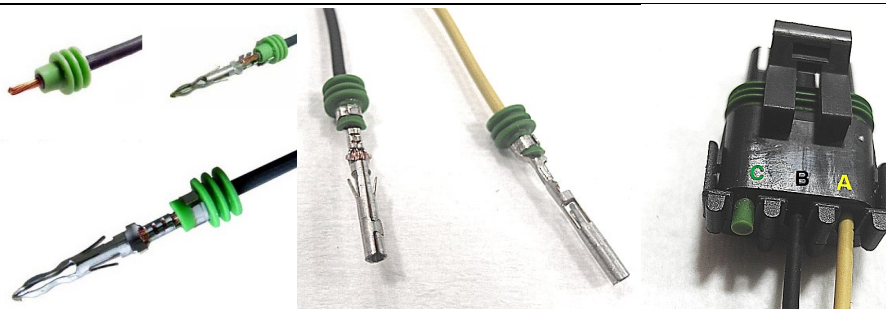
1. Splice both ends of the supplied **562592** yellow & **562586** black wires.
2. Crimp a **562483** Molex terminal to one end of both yellow and black wires.
3. Insert the black wire Molex terminal in the **563071** Molex connector # 2 cavity.
4. Insert the yellow wire Molex terminal in the **563071** Molex connector # 3 cavity.



5. Crimp a **561689** PED type terminal at the end of the other wire ends. Install the **561565** cable seals before crimping.
6. Insert the yellow wire PED terminal in cavity **A** of the **561782** weather pack (PED) connector.
7. Insert the black wire PED terminal in cavity **B** of the **561782** weather pack (PED) connector.
8. Insert the **561783** plug in cavity **C** of the connector and lock the wires in place with the connector clip.

### NOTE

*A **561782** connector (with installed **561783** plugs) may already be available at the end of the C\_AUX connector inside the vehicle parcel rack.*



9. Wrap electrical cloth tape around the black and yellow wires to finish the harness adaptor.

## PARTS / WASTE DISPOSAL

Discard waste according to applicable environmental regulations (Municipal/State[Prov.]/ Federal)