

PREVOST

Instruction Sheet

IS-19917A

BAGGAGE DOOR HANDLE REPLACEMENT

REVISION : A THIS DOCUMENT SUPERSEDES PREVIOUS VERSION.

APPLICATION

MODEL	VIN
VOLVO 9700 MODEL YEAR: 2016 TO 2019	FROM G-173403 UP TO K-196513

MATERIAL

Order kit IS19917 that contains the following parts:

PART NO.	DESCRIPTION	QTY
23441482	HANDLE (INCLUDING RUBBER GASKET)	6
23644786	BRACKET, HATCH FRAME	6
5001744	BOLT M6X16	12
500356	WASHER	12
FI-19917	FEUILLE D'INSTRUCTION	1
IS-19917	INSTRUCTION SHEET IN ENGLISH	1

Material you might need for the process:

PART NO.	DESCRIPTION	QTY
687957	GLUE	AS RQR
682384	CLEANING WIPES	AS RQR
682989	ANTI-SILICONE CLEANER	AS RQR
685250	GLUE GUN TIP	1

NOTE

Material can be obtained through regular channels.

PROCEDURE



DANGER

Park vehicle safely, apply parking brake, stop the engine. Prior to working on the vehicle, set the ignition switch to the OFF position and trip the main circuit breakers equipped with a trip button.

1. Park vehicle on level ground.
2. Remove the existing screws and the existing cup behind the door.

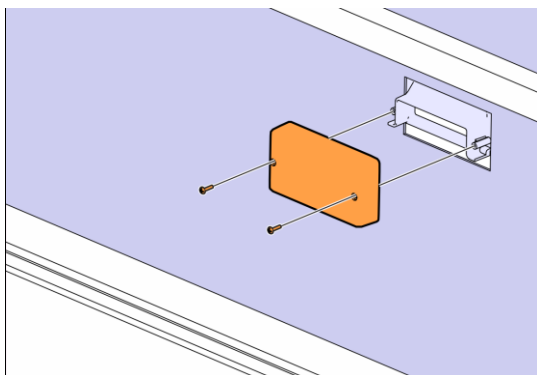


Figure 1

3. Remove the handle.

NOTE

Take care not to damage the paint.

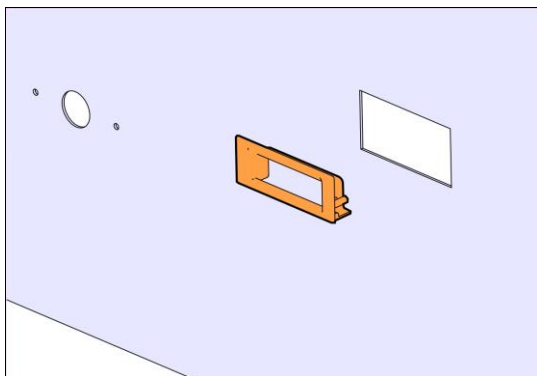


Figure 2

4. Remove the remaining sealant inside the door.
5. If necessary, use an abrasive disc to remove the sealant.

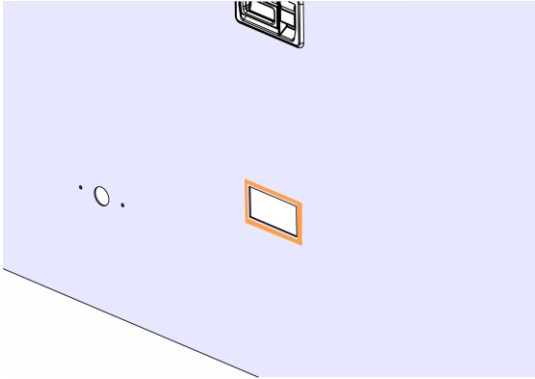


Figure 3



Figure 4

6. Polish the contact surfaces with an abrasive disc.
7. Wash the surfaces that will be glued with a wipe and anti-silicone before gluing.



Figure 5



Figure 6

8. Apply glue to the three mating surfaces of the handle support and install the handle bracket on the door frame.

NOTE

Make sure the support is horizontally centered with the opening and width. The upper mounting surface of the support should be glued to the metal door crossbar.

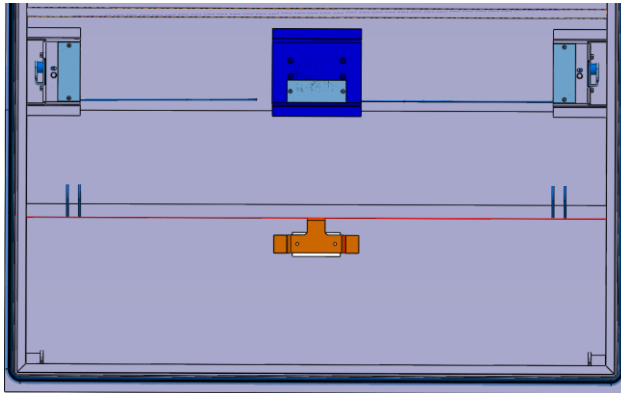


Figure 7



Figure 8

9. Install the rubber gasket on the edge of the handle.

CAUTION

Make sure not to use glue, which could damage paint during handle removal if ever the handle needs to be replaced.

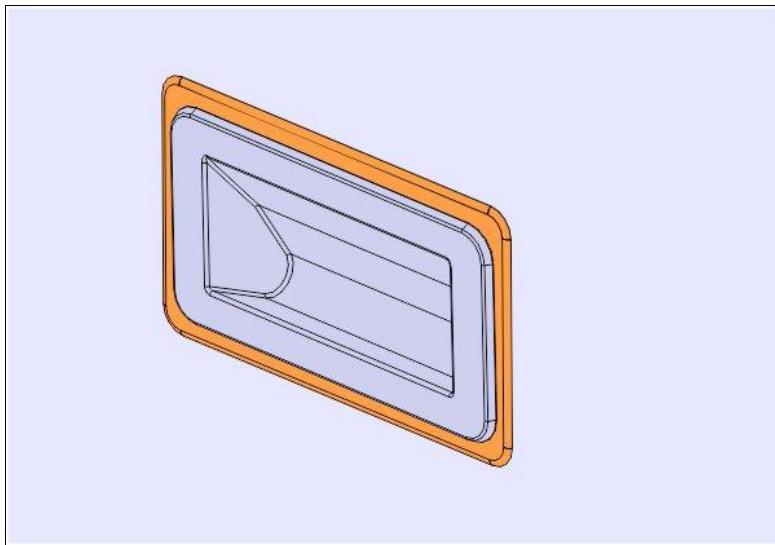


Figure 9

10. Install the handle on the door.

NOTE

Make sure the bracket holes and handle holes are aligned.

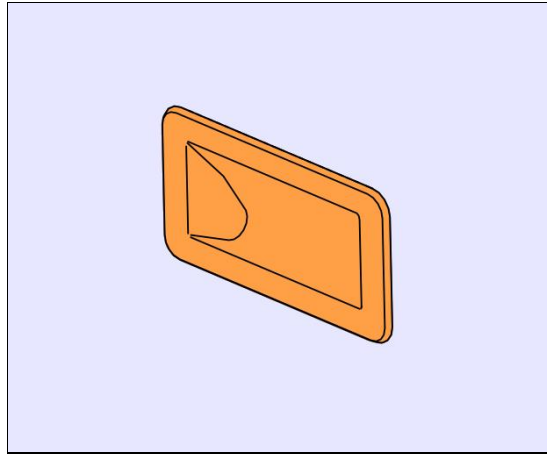


Figure 10

11. Use a small bubble level and make the handle at level.

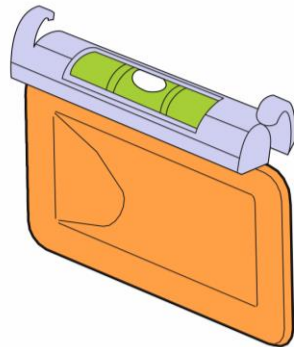


Figure 11

12. Install the screws and lock washers.

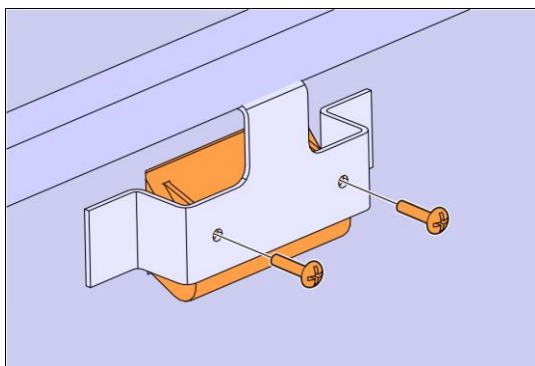


Figure 12

13. Tighten the screws.



Figure 13

14. Repeat previous steps for all baggage doors.

PARTS / WASTE DISPOSAL

Discard waste according to applicable environmental regulations (Municipal/State[Prov.]/ Federal)