



PREVOST

**SAFETY
RECALL**


SR19-43

DATE :	December 2019	SECTION :	09 PROPELLER SHAFT
SUBJECT:	DRIVE SHAFT BOLTS TIGHTENING		

First Release

2019-12-19

APPLICATION

NOTICE TO SERVICE CENTERS	
<i>Verify vehicle eligibility by checking warranty bulletin status with SAP or via ONLINE WARRANTY SYSTEM available on Service / Warranty tab of PrevoSt website.</i>	
Model	VIN 
H3-45 coaches Model Year: 2020	From 2PCH3349XLC72 <u>0875</u> up to 2PCH33496LC72 <u>0954</u> incl.
X3-45 coaches Model Year: 2020	From 2PCG33498LC73 <u>6519</u> to 2PCG33493LC73 <u>6539</u> incl.
H3-45 VIP motorhomes Model Year: 2020	From 2PCV3349XLC72 <u>0880</u> to 2PCVS3498LC72 <u>0931</u> incl.
X3-45 VIP motorhomes Model Year: 2020	2PCBS3497LC73 <u>6508</u> , 2PCBS3499LC73 <u>6526</u> 2PCBS3493LC73 <u>6540</u>
X3-45 VIP commercial use Model Year: 2020	From 2PCCS3493LC73 <u>6512</u> to 2PCCS3492LC73 <u>6534</u> incl.
This Safety Recall does not necessarily apply to all the above-mentioned vehicles, some vehicles may have been modified before delivery. The owners of the vehicles affected by this recall will be advised by a letter indicating the Vehicle Identification Number (VIN) of each vehicle concerned.	

DESCRIPTION

On vehicles affected by this recall, all straps and bolts of the drive shaft couplings between the transmission and the differential have to be replaced. All new bolts have to be tightened to a torque value specified into that document.

MATERIAL

Order kit #SR19-43 that contains the following parts:

Part no.	Description	Qty
3947800	STRAP KIT	2

NOTE

Material can be obtained through regular channels.

PROCEDURE



DANGER

Park vehicle safely, apply parking brake, stop the engine. Prior to working on the vehicle, set the ignition switch to the OFF position and trip the main circuit breakers equipped with a trip button.

Lock out & Tag out (LOTO) must be performed during set-up, maintenance or repair activities. Refer to your local procedure for detailed information regarding the control of hazardous energy.

1. Hoist the vehicle according to the required procedure.
2. Install jacks under the differential carrier.



Figure 1

3. Remove the parking brake.
4. Low down slightly the elevators just to make the rear wheel to turn freely and allow the drive shaft to turn freely.



Figure 2

5. Dismount both screws of only one strap on the transmission coupling and remove the strap.

NOTE

Inspect visually all bolts. Threads should not be damaged or should not have presence of metal fillings.

NOTE

In case of important thread damages or metal fillings, it might be necessary to replace the transmission coupling. If necessary, replacement of the coupling is considered as a different operation.

6. Install a new strap with new bolts.
7. Tighten bolts just to get the components in contact.
8. Repeat steps 5 to 7 for the opposite strap on the transmission coupling.
9. Complete the tightening of the 4 bolts for both straps on the transmission coupling following the sequence shown in Figure 4.
10. Tighten the bolts to a torque value of 110 lb-ft.

NOTE

Tightening in step 7 should be lower to the torque wrench click. If it is not the case loosen the bolts and apply the final tightening.

11. Repeat previous steps for the differential coupling.
12. Apply parking break.
13. Lower the vehicle.
14. Bulletin is complete.

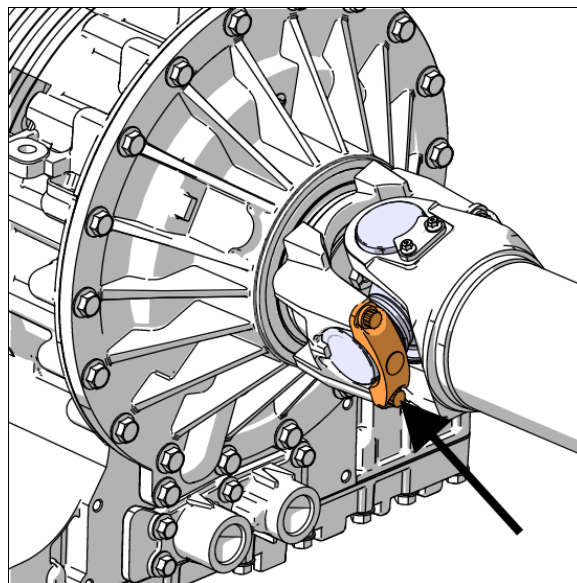


Figure 3



Figure 4

PARTS DISPOSITION

DO NOT RETURN THE REPLACED PARTS. Discard waste according to applicable environmental regulations (Municipal/State[Prov.]/ Federal)

WARRANTY

This modification is covered by Prevost's normal warranty. We will reimburse you the parts and 1H00 of labor upon receipt of a completed A.F.A. Please submit claim via our Online Warranty System, available at www.prevostcar.com (under service \ warranty section). Use Claim Type: "Bulletin/Recall" and select "Safety Recall SR19-43".

Should you only wish to close the safety recall (without reimbursement), fill-in the "Safety Recall Certification Sheet" provided with this bulletin and return it to our warranty department by Email at prevost.onlinewarranty@volvo.com or by fax at 418-831-9301.

OTHER

VBC Bulletin	N/A
Fail Code	09.02
Defect Code	09
Syst.Cond	R
Causal Part	3947800

Access all our Service Bulletins on <http://techpub.prevostcar.com/en/> or scan the QR-Code with your smart phone.
E-mail us at technicalpublications_prev@volvo.com and type "ADD" in the subject to receive our warranty bulletins by e-mail.





Safety Recall Certification Sheet (Ref: SR19-43)

VEHICLE SERIAL NUMBER:

2	P	C																	
---	---	---	--	--	--	--	--	--	--	--	--	--	--	--	--	--	--	--	--

PERFORMED BY		OWNER/OPERATOR	
We hereby certify that Safety Recall Instructions with regard to Safety Recall SR19-43 have been performed.			
Name: _____		Name: _____	
Addr: _____		Addr: _____	
Phone: _____		Phone: _____	
Fax: _____		Fax: _____	
Signature : _____	_____	Signature : _____	_____
Date: _____	_____	Date: _____	_____

If the information mentioned above is incorrect or you are not the owner of this vehicle anymore, please fill this section and return to sender.

NEW OWNER: _____

BUSINESS: _____

ADDRESS (including County): _____

TELEPHONE: _____ **FAX:** _____

Please return this completed document with your A.F.A. form