

PREVOST

Instruction Sheet

IS-94091

REPLACEMENT OF ENTRANCE DOOR ELECTRONIC CONTROL MODULE WITH RELAY MODULE ON H3-41 & H3-45 COACHES (VEHICLES R-1033 TO S-1137)

MATERIAL

Kit #066262 includes the following parts:

Part No.	Description	Qty
063952	Relay Module Assembly	1
285218	Pressure Switch N.C.	1
063511	Cable, Interface N.O. to N.C.	1
IS-94091	Instruction Sheet	1
FI-94091	Feuille d'instructions	1

PROCEDURE

⚠ WARNING ⚠

Park vehicle safely, apply parking brake, stop engine and set battery master switch(es) to the OFF position prior to working on the vehicle.

1. Open coach entrance door then remove control module access panel (refer to figure 1).
2. Make sure that vehicle is equipped with the electronic control module then remove it (refer to figure 2).
3. Install relay module (063952) as per instructions given in figure 3.
4. Remove entrance door locking mechanism access panel. Remove existing pressure switch and replace it with N.C. pressure switch (285218) then connect interface cable (063511) between pressure switch and C84 connector as indicated in figures 3 and 4.
5. Remove dashboard cover. Remove electronic board, cut wires #48, 49 and 7C. Insert each wire into a heat shrink tubing (561918) then solder each wire to C85 (#562110) connector wires. Slide the tubing over each solder then heat. Drill a 7/64" hole and relocate previous lamp fixed underneath support then rotate lamp by 90°. Connect C267 interface cable connector to connector located behind the central console thermometer panel (refer to figures 1 and 3).

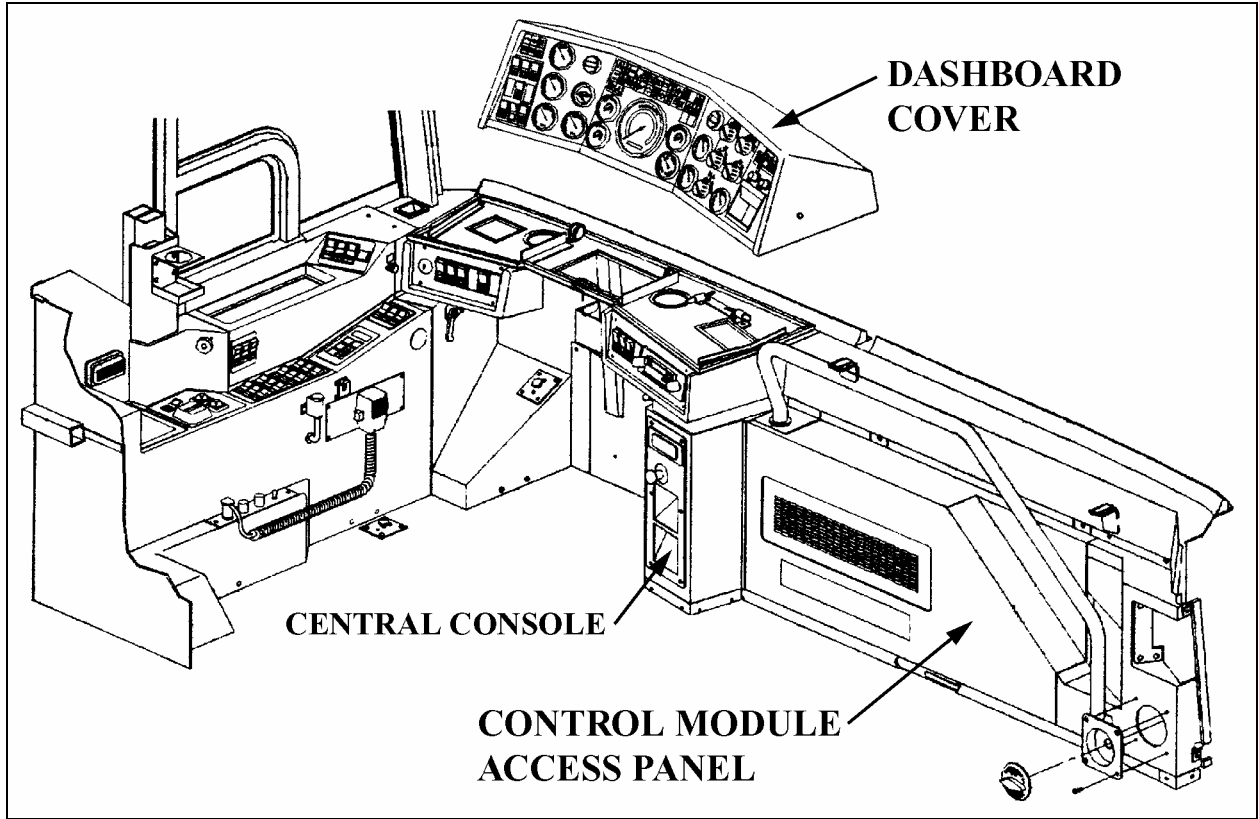


FIGURE 1

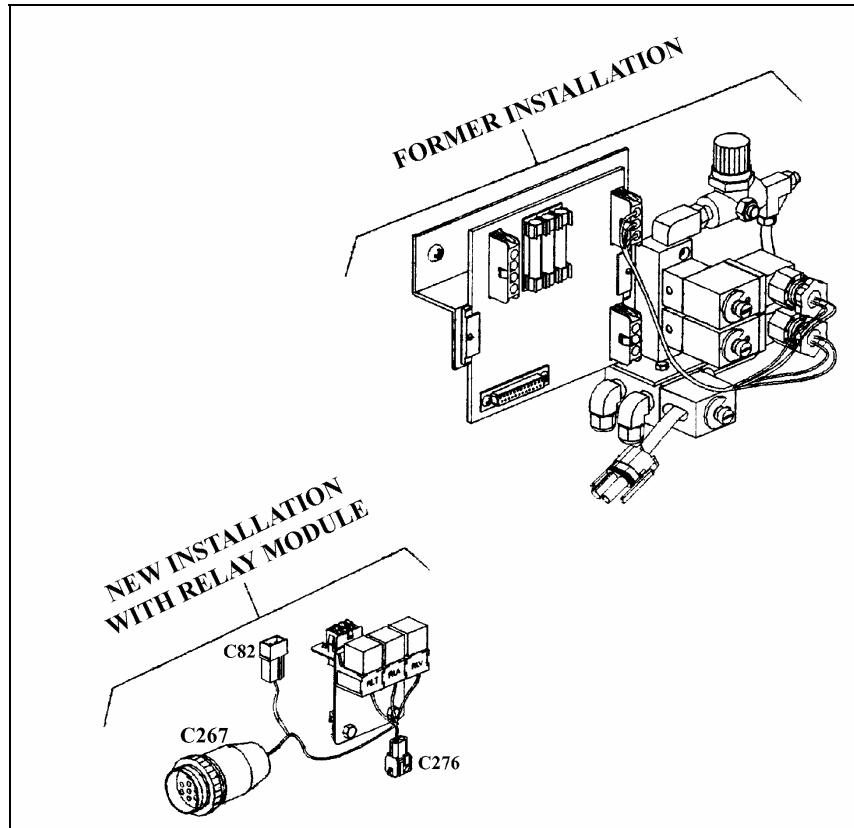


FIGURE 2

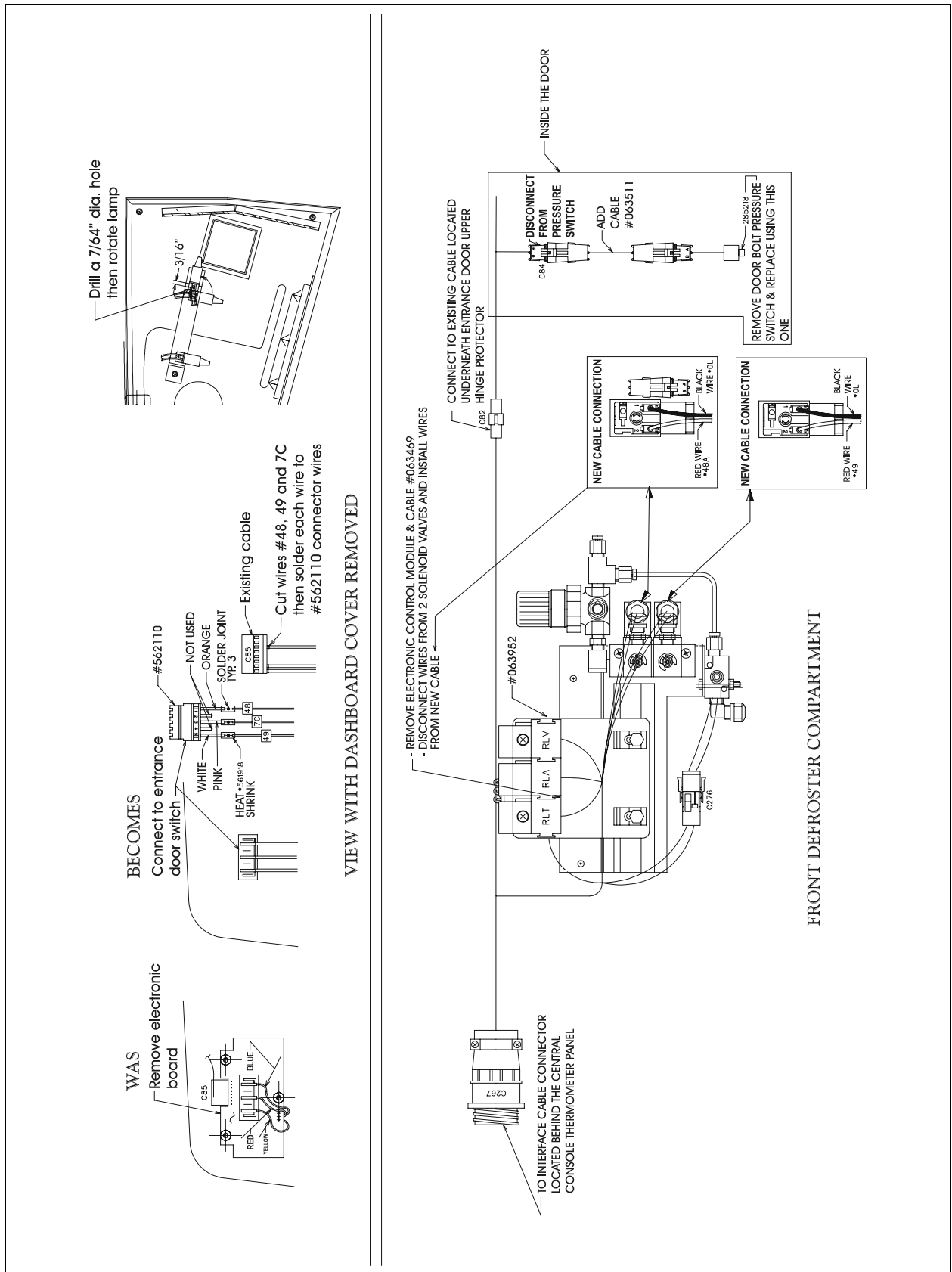


FIGURE 3

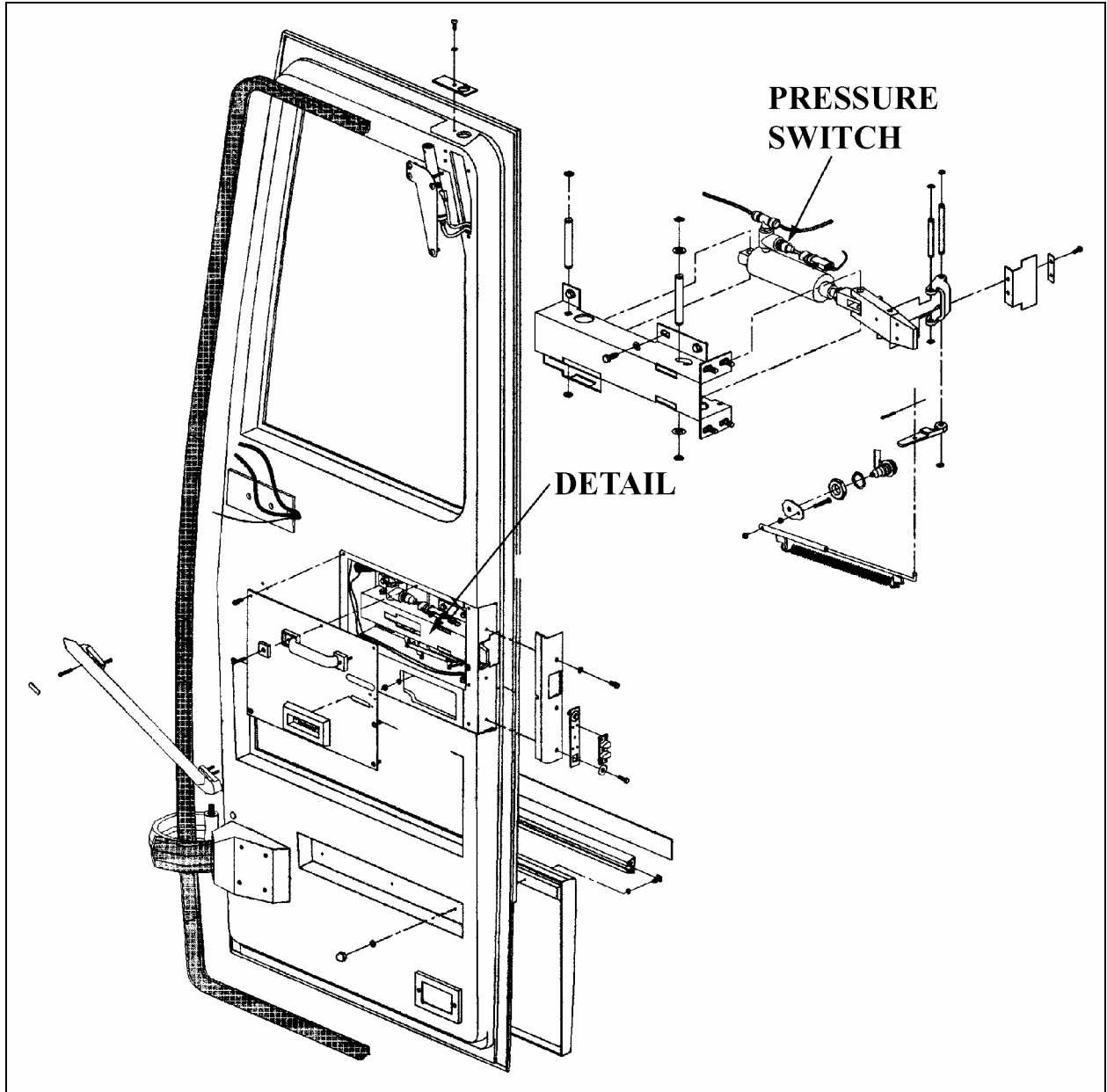


FIGURE 4