

CYLINDERS REPOSITIONING ON BAGGAGE COMPARTMENT DOORS WHEN INSTALLING STAINLESS STEEL RUB RAIL

PROCEDURE

⚠ WARNING ⚠

Park vehicle safely, apply parking brake, stop engine and set battery master switch(es) to the OFF position prior to working on the vehicle.

1. Open baggage compartment door then support with proper equipment.
2. Disconnect each cylinder end then reposition as per instructions in figure 2.
3. Retighten cylinders fixing nuts then check door operation.

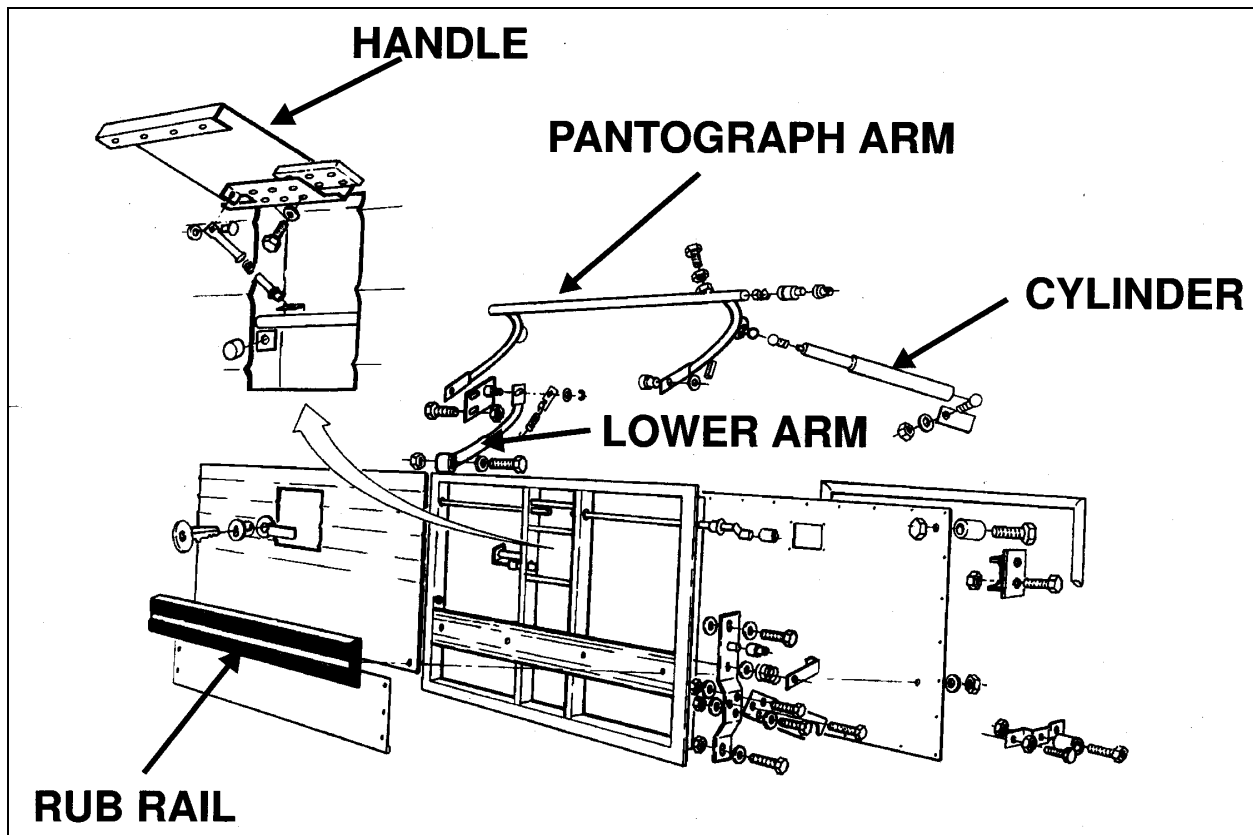


FIGURE 1

**PREVOST STANDARD RUB RAIL POS. 1A & POS. 1B
STAINLESS STEEL RUB RAIL (CUSTOMER) POS. 2A & POS. 2B**

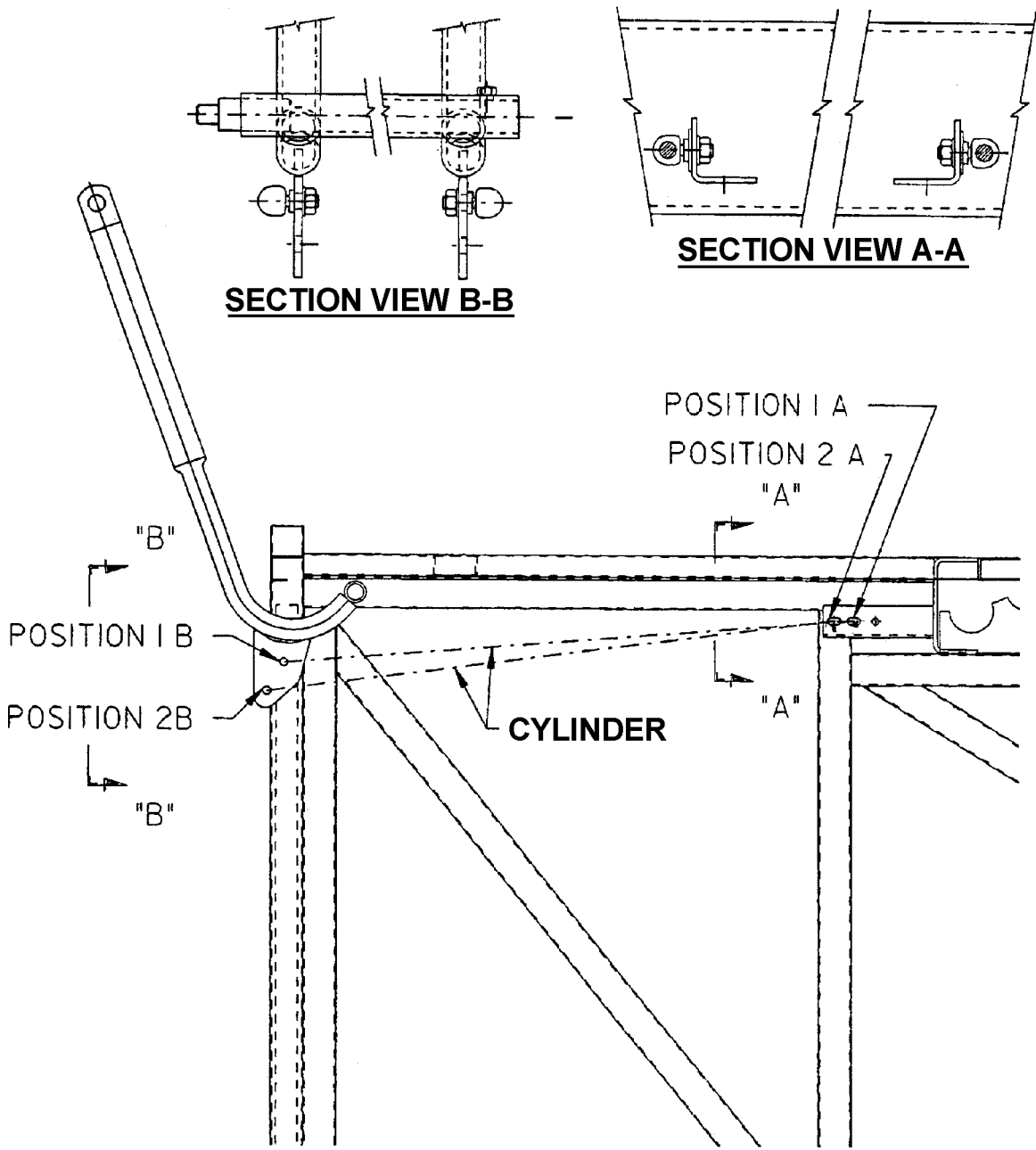


FIGURE 2