

PREVOST

Instruction Sheet

IS-23526

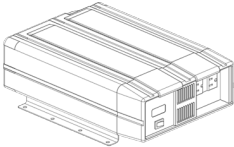
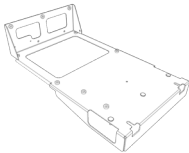



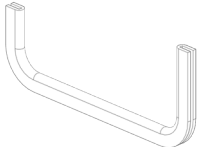
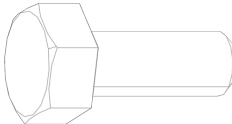
SECOND INVERTER INSTALLATION

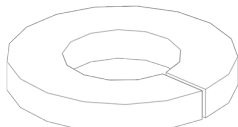
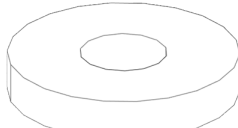
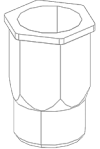
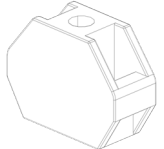



First Release

10-02-2023

MATERIAL

Kit #IS23526 includes the following parts:

Part No.	Description		Qty
563082	INVERTER 24/110 V 1800W		1
068947	SUPPORT INVERTER		1
068833	DECAL WARNING INVERTER		1
060019	CABLE INVERTER JUNCTION POSITIVE		1
061149	CABLE GROUND		1
506338	RUBBER EXTRUSION (150mm)		2
5001697	SCREW HEX M6-1.0x16 SS BK		9

502570	WASHER LOCK SPLIT SS 6.1X11.8X1.6		9
5001654	WASHER FLAT 6.4x17.0x3.0 SS		9
5001344	RIVET NUT AVEC BRIDE HEX SS M6-1.0		2
509492	TWO WAY SADDLE, PUSH MOUNTS (M6 STUD)		3
8631155	CABLE TIE 200X4.6 TREE MOUNT		5
504016	CABLE TIE, NYLON BLACK LARGE		15
504637	CABLE TIE, NYLON BLACK STD		8
IS-23504	Instruction Sheet		1
FI-23504	Feuille d'instructions		1

Other parts that may be required:

Part No.	Description	Qty
680066	GLUE CYANO. ADBOND 5014S, 25 GR.	REQUIRED
680324	SEALER, ELECTRICAL CONNECTION	REQUIRED

NOTE

Material can be obtained through regular channels.

SAFETY PRECAUTIONS

- Eye protection should always be worn when working in a shop.
- Rules for Personal Protection Equipment should always be respected. Wear your PPE including but not limited to the following:



Safety First!



PROCEDURE



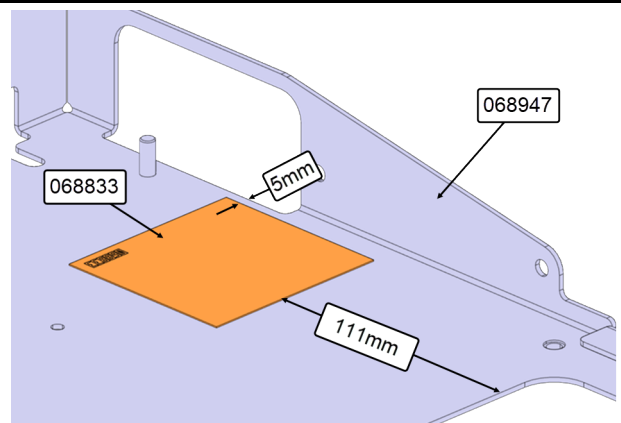
DANGER

Park vehicle safely, apply parking brake, stop engine. Prior to working on the vehicle, set the ignition switch to the OFF position and trip the main circuit breakers equipped with a trip button. On Commuter type vehicles, set the battery master switch (master cut-out) to the OFF position.

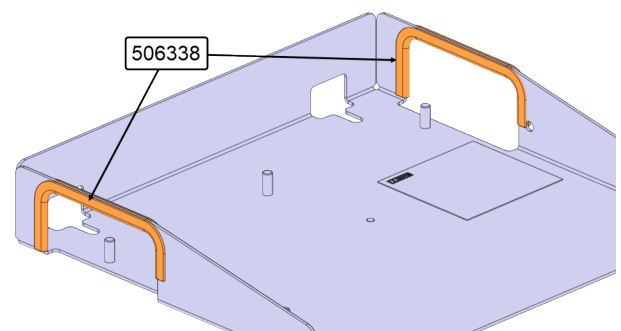
Lock out & Tag out (LOTO) must be performed during set-up, maintenance or repair activities. Refer to your local procedure for detailed information regarding the control of hazardous energy.

INVERTER AND SUPPORT ASSEMBLY

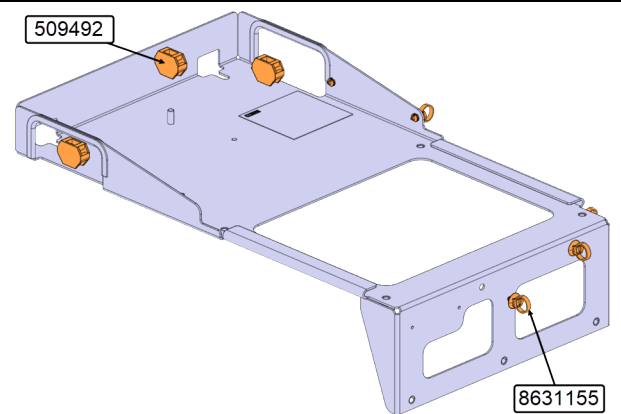
1. Install decal 068833 on inverter support 068947 at the position indicated.



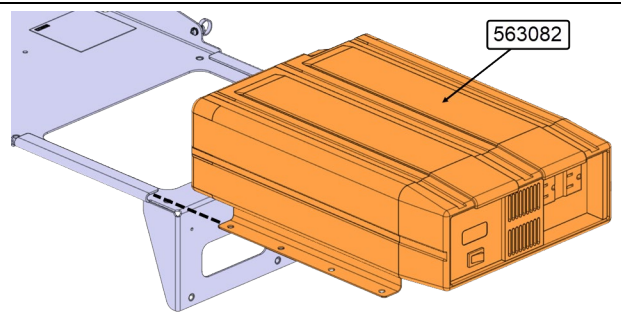
2. Install rubber extrusion 506338 on both side openings with glue 680060. Extrusions must be at least 150mm long each.



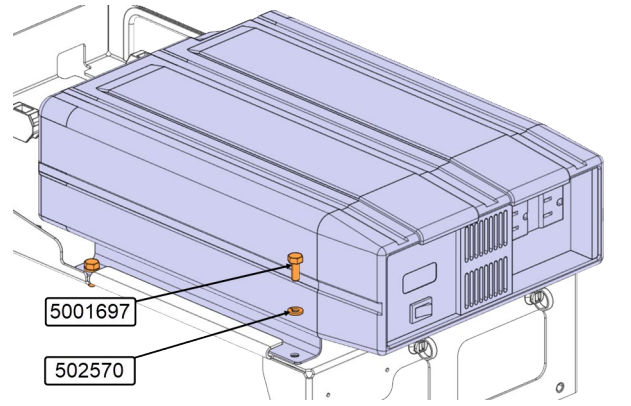
3. Install two-way saddle 509492 (3X) on stud.
4. Install cable tie with tree mount 8631155 (5x) on support.



5. Install the inverter 563082 in support rails.

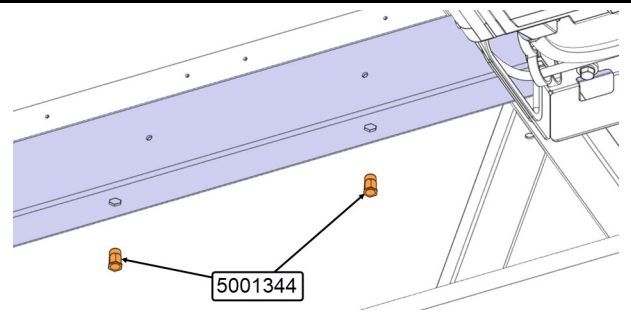


6. Secure the inverter on the support with screws 5001697 (4x) and lock washers 502570 (4x).

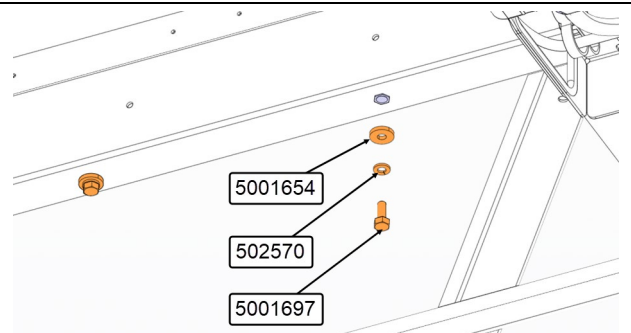


INSTALLATION DU SECOND ONDULEUR

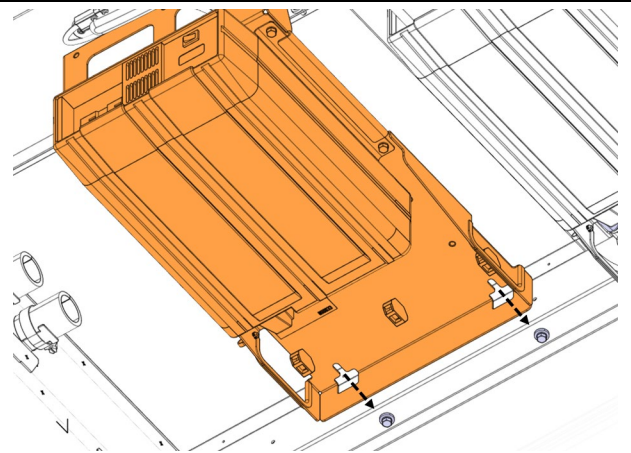
1. Install rivet nuts 5001344 (2x) on the structure where the inverter is to be installed.



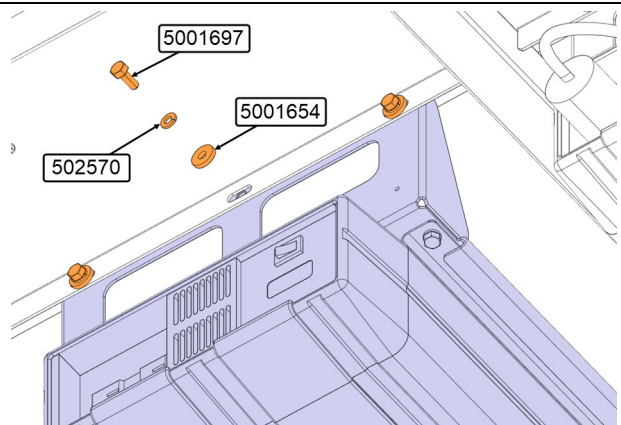
2. Pre-install screws 5001697 (2x) with lock washers 502570 (2x) and flat washers 5001654. Screw in only about a third of the free thread to allow sufficient clearance for installation of the inverter assembly



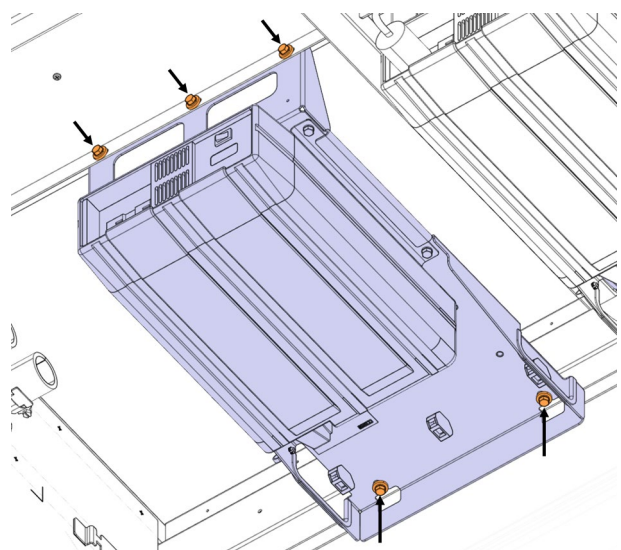
3. Attach the second inverter assembly to the two screws from the previous step.



- Secure front section of the support with screws 5001697 (3x), lock washers 502570 (3x) and flat washer 5001654 (3x).

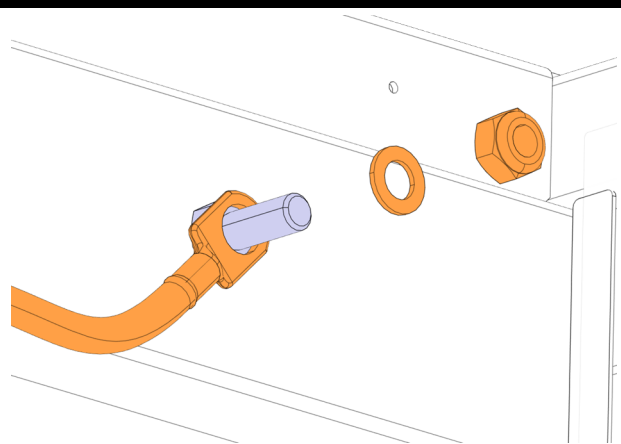


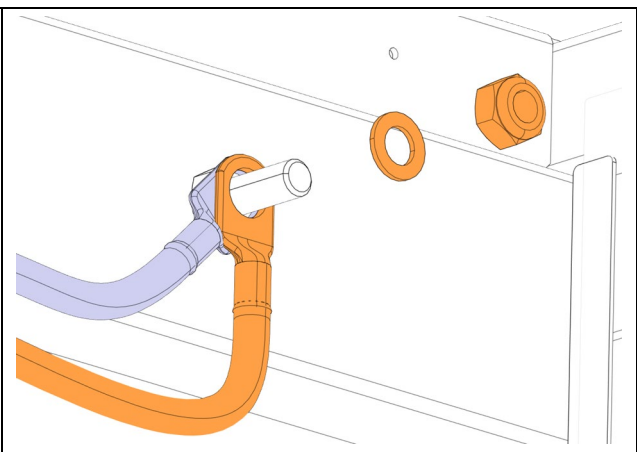

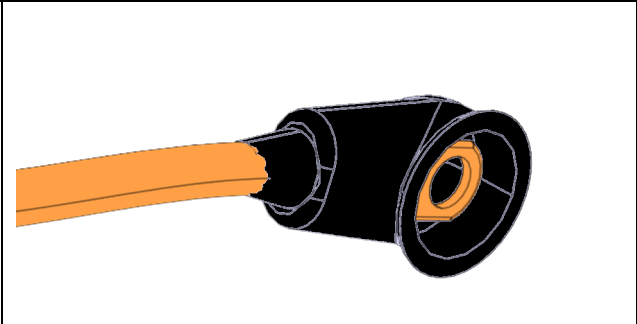
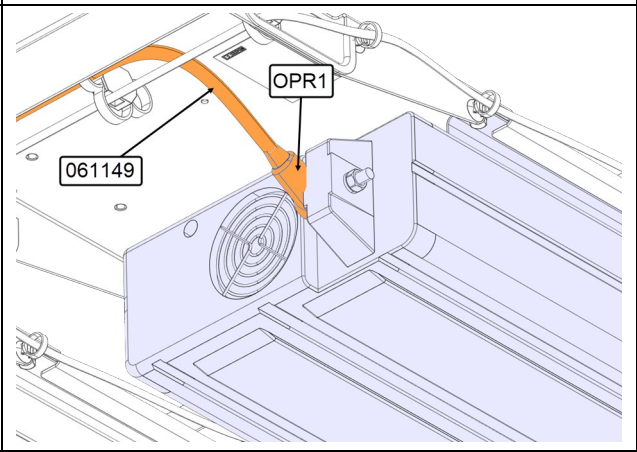
- Tighten the 5 screws from the previous two steps.

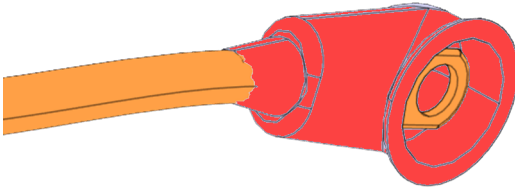
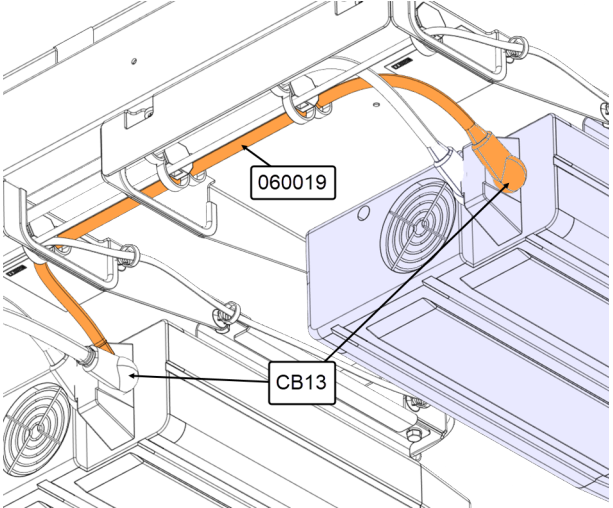




CABLE INSTALLATION

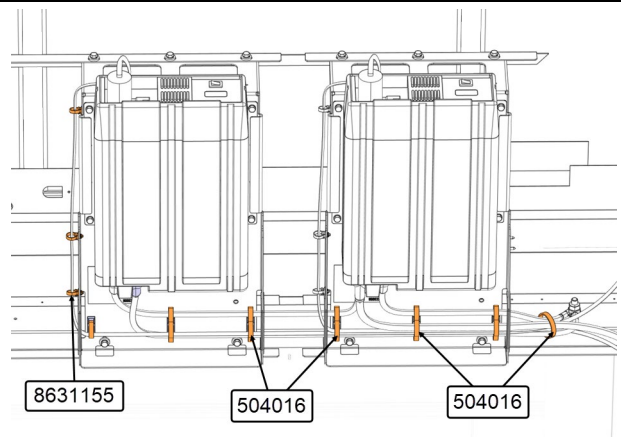
- Locate the existing inverter ground cable on the right-hand side of the structure.
- Clean the black protector.
- Remove nut and flat washer.
- Clean existing lug.



<p>5. Reinstall the grounding wiring of the first inverter, then install ground cable 061149 of the second inverter (OPR1).</p> <p>6. Install the existing flat washer, then the existing nut.</p> <p>7. Tighten to 170 lb-in.</p>	
<p>8. Apply 680324 electrical connection sealant.</p>	
<p>9. Install black rubber protector included with the inverter on cable 061149.</p>	
<p>10. Connect ground cable 061149 (OPR1) to second inverter.</p>	

<p>11. Install red rubber protector included with the inverter on cable 060019.</p>	
<p>12. Connect the positive junction cable 060019 to the first inverter, then to the second.</p>	
<p>13. Locate the INV2 connector on the existing inverter. 14. Disconnect the INV2 connector.</p>	
<p>15. Connect the INV2 connector to the new inverter.</p>	

16. Secure all cables with large cable ties 504016 (15x), standard cable ties 504637 (8x) and cable ties with tree mount 8631155 (5x).



CHECK OPERATION

1. Place the start lever in the "ON" position.
2. Check the power supply to the 110V outlets on both sides of the vehicle.



PARTS / WASTE DISPOSAL

Discard waste according to applicable environmental regulations (Municipal/State[Prov.]/ Federal)