

# PREVOST

## Instruction Sheet

## IS-96010

### MAINTENANCE OF THE EVAPORATOR MOTOR

If the evaporator motor is found to be defective, it may not be necessary to replace it in its entirety. Install one of the two insulator kits mentioned below and replace the ball bearings.

**Note:** If 5/16" (8mm) bolts are used, use kit #453088. If 3/8" (9.5mm) bolts are used, use kit #453121.

#### MATERIAL

Kit #453088 includes the following parts (for 5/16" (8mm) bolts).

Part No.	Description	Qty
452896	Electrical insulator	1
500441	Washer, zp	4
500476	Washer, Split lock	4
502723	Washer, fl nylon	4
504503	Bushing	4
IS-96010	Instruction Sheet	1
FI-96010	Feuille d'instructions	1

Kit #453121 includes the following parts (for 3/8" (9.5mm) bolts).

Part No.	Description	Qty
452896	Electrical insulator	1
5001242	Bushing	4
500220	Washer, zp	4
500546	Washer, Split lock	4
IS-96010	Instruction Sheet	1
FI-96010	Feuille d'instructions	1

#### PROCEDURE

**Warning:** Park vehicle safely, apply parking brake, stop engine and set battery master switch(es) to the OFF position prior to working on the vehicle.

**Note:** In order to remove completely the motor, you have to disconnect the wires and tape them using electrical tape to avoid any electric chocks.

1. Remove the bolts on the black base.
2. Unscrew the two air conduits on each side.

- 
3. Remove the motor and place it on a table to facilitate work.
  4. Remove the two fans (Fig. 1).

**Note:** It is important to note which side the two fans were installed in order to reinstall them correctly at the end of the procedure.

**Note:** In order to remove both fans, unscrew the four screws on motor shaft (two on each side).

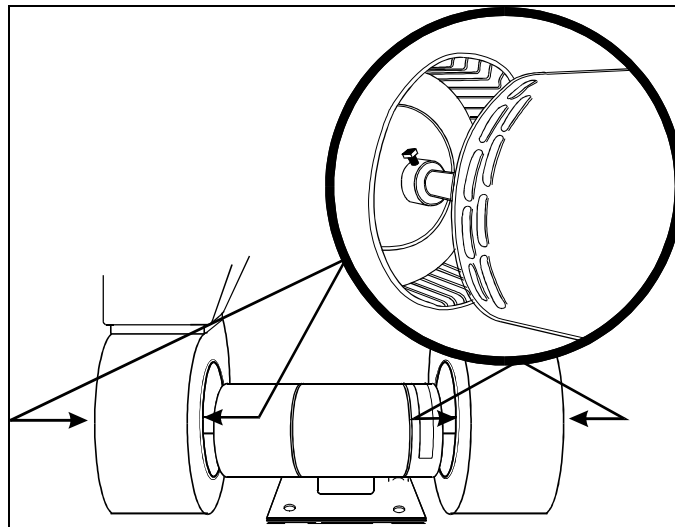


FIGURE 1: LOCATION OF THE SCREWS OF THE FAN 22109

5. Remove the four nuts that hold the motor to the black base.
6. Remove the covering that give access to the metal brushes located in the right section of the motor.
7. Remove the four brushes of the motor (Fig. 2).

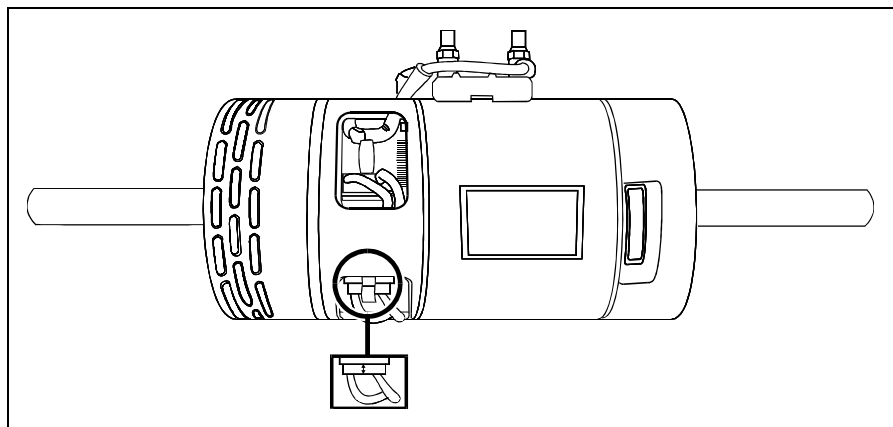


FIGURE 2: LOCATION OF THE BRUSHES ON THE EVAPORATOR MOTOR. 22110

8. Remove the right section of the motor.

- 
9. Remove the plastic fan (Fig. 3).

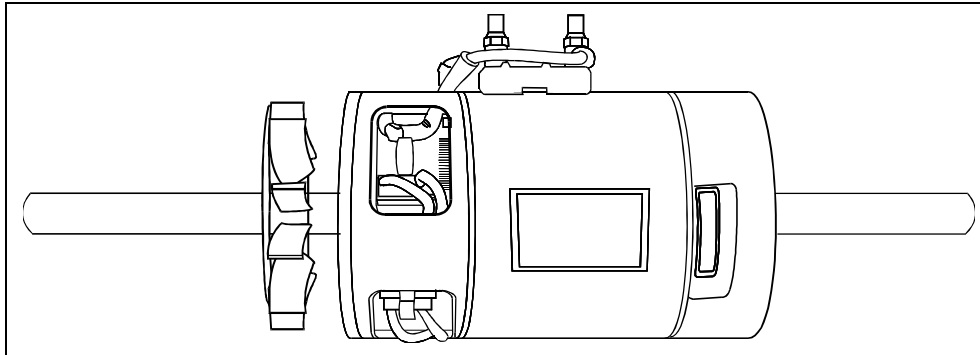


FIGURE 3: PLASTIC FAN ON THE EVAPORATOR MOTOR

22111

10. Remove the section ball bearing and the ring.
11. Remove left section of the motor.
12. Remove the shaft of the motor.
13. Place the shaft vertically in a vice.
14. Remove the two ball bearings (Fig. 4).

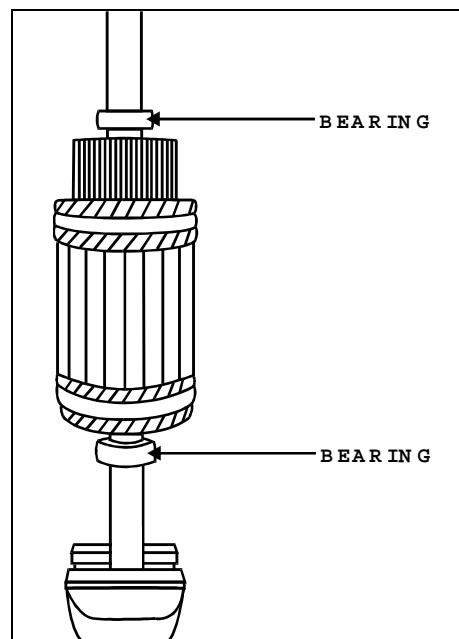


FIGURE 4: MOTOR SHAFT

22112

15. Install the new ball bearings (#562520 to the right and #561210 to the left)

**Warning:** When installing new ball bearings, be careful not to damage the motor shaft..

16. Sand the part of the shaft that touches the brushes.
17. Sand both ends of the shaft.
18. Reinstall the ring and the small ball bearing on right part of the shaft.

- 
19. Reinstall the shaft in the motor.
  20. Reinstall the parts as previously.
  21. Check if evaporator motor brushes are worn out. If they have the same height as the brush-holder, they must be replaced (Prévost #561202, Qty: 4 , Fig. 2).
  22. Affix the electrical insulator (Prevost #452896) to the base of the motor (Fig. 5).

**Note:** If the vehicle serial number is T-1528 and following, the electrical insulator is already installed.

23. For the 3/8" (9.5mm) bolts, enlarge the holes of the motor base in order to install the washers. Reinstall the bolts to secure the evaporator motor with the washers (Fig. 5). For the 5/16" (8mm) bolts, reinstall them to secure the evaporator motor with the washers (Fig. 6).
23. Verify using an ohmmeter the resistance between the motor and the structure. The resistance must be infinity.

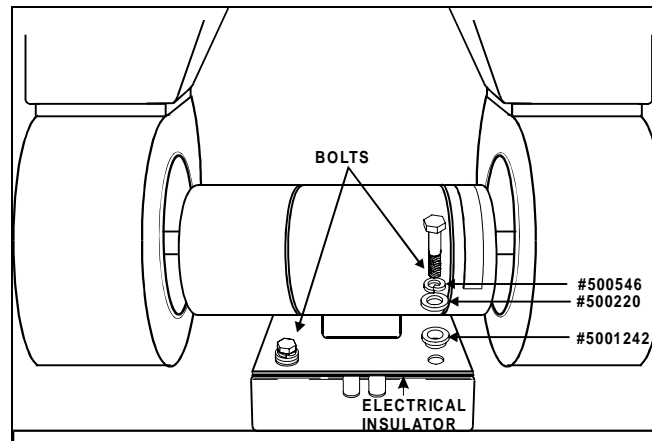


FIGURE 5: INSTALLATION WITH 3/8" (9.5mm) BOLTS

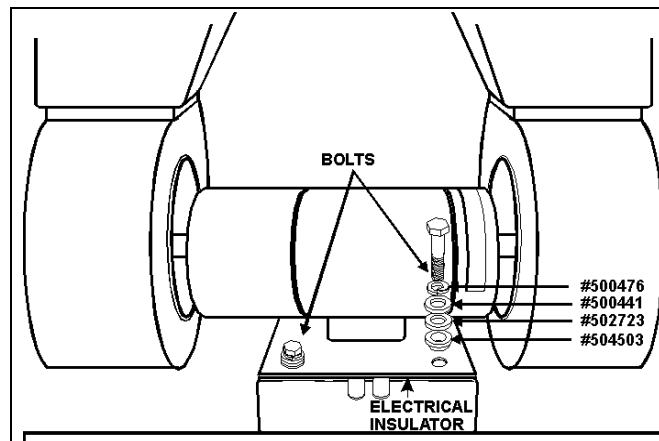


FIGURE 6: INSTALLATION WITH 5/16" (8mm) BOLTS 22113