

STEERING DAMPER DUST SHIELD INSTALLATION (COACH XL 40-45, H3-41, H3-45 and VIP)

REVISION : B
Jan 17, 2018

THIS WARRANTY BULLETIN SUPERSEDES PREVIOUS VERSION.
Dust shield is pre-installed on kit 160835.

Use this instruction sheet when installing the following kits: #160835, #160714 and #160702.

Kit #160714 and #160702 are for steering damper installation on vehicles without this system. The installation of the dust shield bellow is done by following steps 5 to 7 mentioned below. The installation of the steering damper is done by following procedures from the service bulletin 9903-A.

The purpose of kit #160835 is to replace broken steering dampers in service. Note that dust shield bellow is pre-installed on the damper for this kit.

PROCEDURE

Warning: Park vehicle safely, apply parking brake, stop engine and set battery master switch(es) to the OFF position prior to working on the vehicle.

1. Safely support vehicle at jacking points as outlined in Section 18 of your maintenance manual.
2. Place safety supports underneath jacking points.
3. Locate steering damper in right part of front axle (Fig. 1, for XL vehicles).

Note: For H3 vehicles, the steering damper is on R.H. side of front axle, below power steering cylinder.

4. Remove steering damper bolts and nuts.
5. Forcefit dust shield bellow (Prévost #661007) on new steering damper (Prévost #660979) using by hand, a soapy water solution, see figure 2..

Warning: Steering damper drain holes should be oriented downward.

6. Fix L.H. side of dust shield bellow with clamp (Prévost #504023) on stable part of steering damper. R.H. side is stabilized with jam nut and does not need clamp (Fig. 2).
7. Apply white grease on rubber disks (Prévost #660980) which protect the ball and socket joint. First rubber disk is located in bolt for ball an socket joint (between steering arm and steering damper). Second rubber disk is located between steering damper and nut.
8. Install new steering damper (Prévost #660979). Tighten nuts to 100/120 lbf•ft (136/163 N•m) for XL and H3 vehicle series.

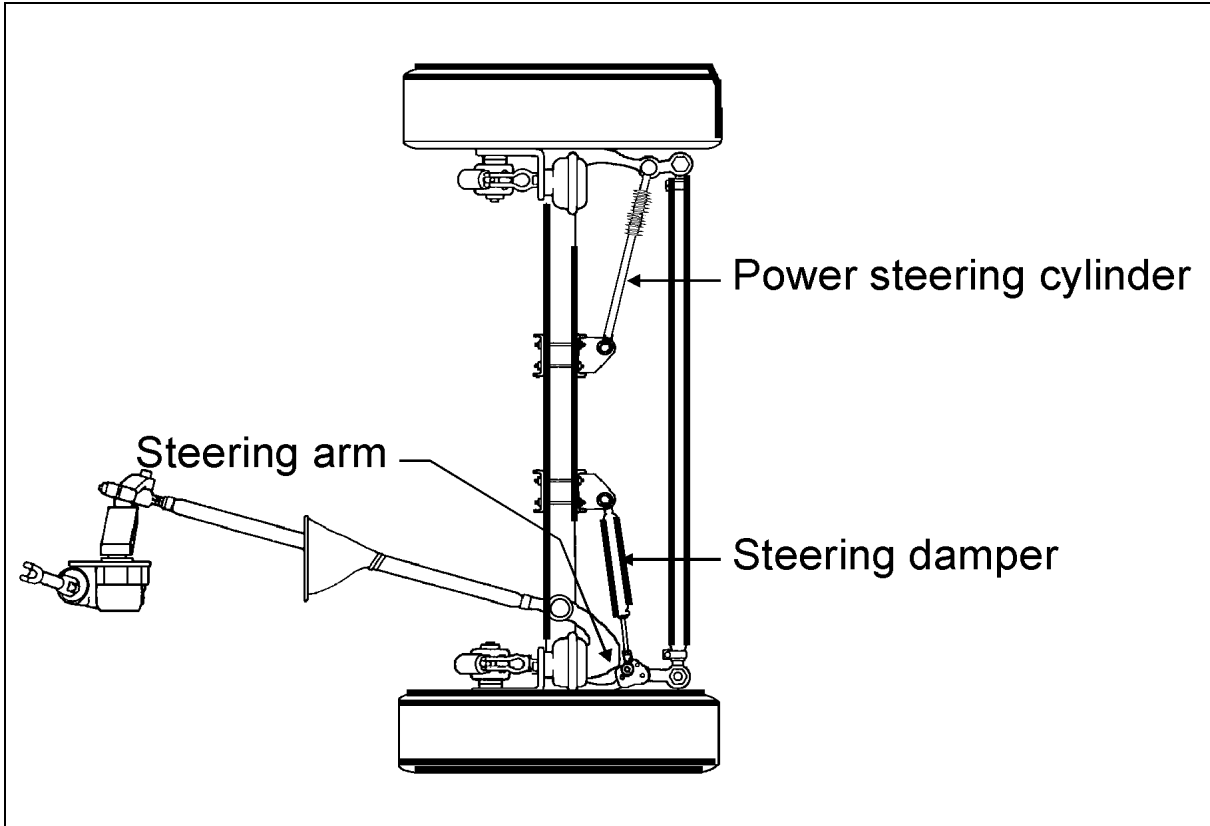


FIGURE 1: FRONT AXLE VUE FROM XL VEHICLE SERIES



FIGURE 2: DUST SHIELD BELLOW ON STEERING DAMPER