

COMPACT DISC (CD) CHANGER REPLACEMENT

Use this instruction sheet when replacing CD changer Prevost p/n 900822 (no longer available) with CD changer Prevost p/n 900842.

MATERIAL

Part No.	Description	Qty
900842	CD changer, Panasonic CX-DP601EUC	1
900857	Cable assembly	1
860489	Velcro (hook)	0.02
IS-96064	Instruction sheet	1
FI-96064	Feuille d'instructions	1

PROCEDURE

H3-41 AND H3-45 COACHES

Warning: Park vehicle safely, apply parking brake, stop engine and set battery master switch(es) to the OFF position prior to working on the vehicle.

1. Disconnect the extension cord from the unserviceable CD changer and remove CD changer from top of VCR or from mounting brackets.

Note: If a VCR is installed, CD changer is held on VCR by Velcro stripes. If there is no VCR installed, CD changer is held with brackets.

2. Remove dome light (Fig. 1) located above driver's seat.

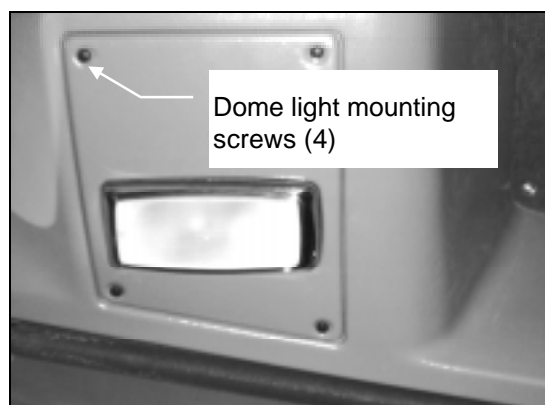


FIGURE 1

18229

3. Remove molding from side post (5 screws, Fig. 2.)



FIGURE 2: SIDE POST

06198

4. Remove dash cover (Fig. 3).

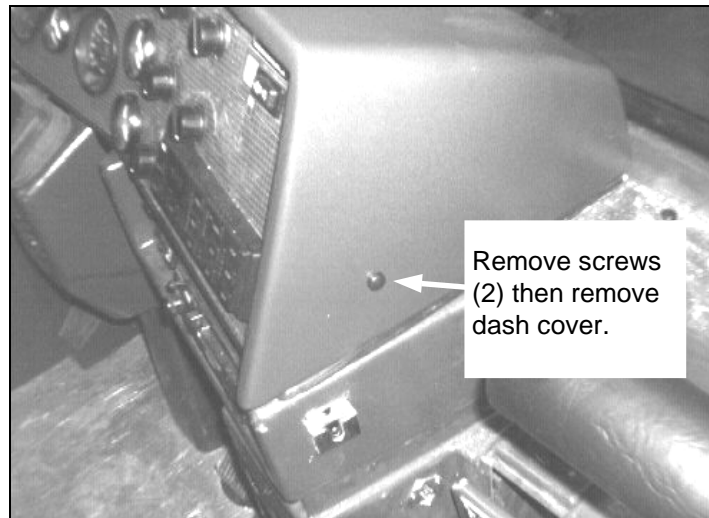


FIGURE 3

06199

5. Remove CD changer extension cord.
6. If reinstalling CD changer on top of VCR, affix Velcro stripes on new CD changer. Make sure Velcro stripes are positioned to align correctly with those affixed on the VCR.
7. Connect new extension cord to CD changer.
8. Install CD changer on top of VCR (if VCR installed) or between mounting brackets.
9. Route new extension cord in same path as previous cord (through hole in overhead compartment, along side post, through electrical compartment and up to radio in dash). Use cable ties as required.
10. Locate red wire (+12 V DC) from radio power connector (wire with in-line fuse holder.)
11. Connect CD changer power wire (yellow) to radio power wire (red) as shown in Figure 6. Solder wires then insulate connection using shrinkable tubing or electrical tape.

-
12. Connect the RCA connectors and CD changer control connector to radio (Fig. 6.)
 13. Reinstall dome light, side post molding and dash cover.

XL-40 AND XL-45 COACHES

Warning: Park vehicle safely, apply parking brake, stop engine and set battery master switch(es) to the OFF position prior to working on the vehicle.

1. Disconnect the extension cord from the unserviceable CD changer and remove CD changer from top of VCR or from mounting brackets.

Note: If a VCR is installed, CD changer is held on VCR by Velcro stripes. If there is no VCR installed, CD changer is held with brackets.

2. Remove finishing pieces around driver's lateral windows (Figure 4.)

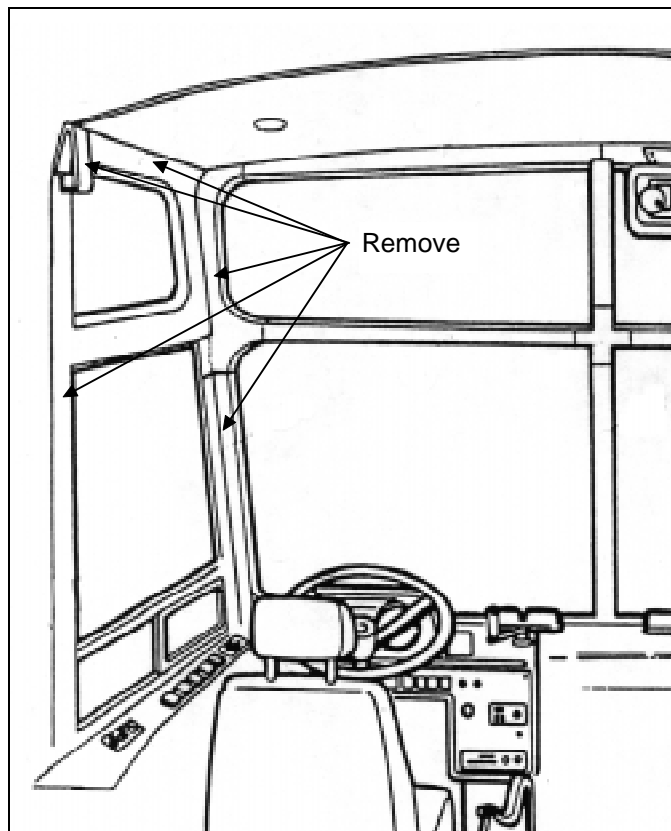


FIGURE 4

06200

3. Remove R.H. console cover (Fig. 5) to get access to wires behind radio.

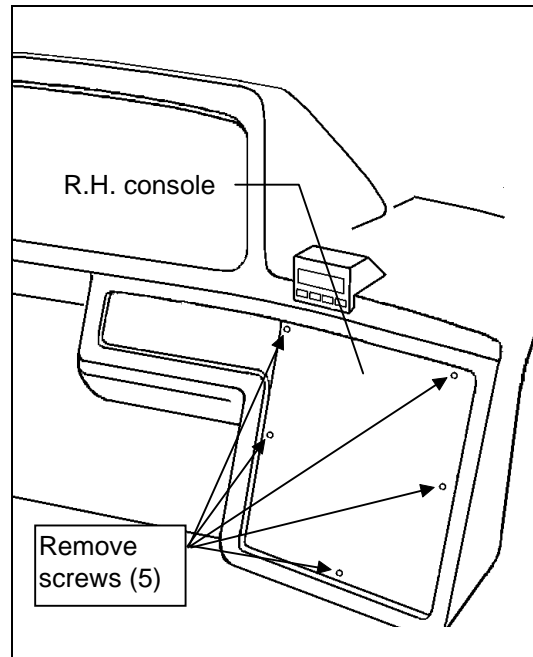


FIGURE 5

06201

4. Remove CD changer extension cord.
5. If reinstalling CD changer on top of VCR, affix Velcro stripes on new CD changer. Make sure Velcro stripes are positioned to align correctly with those affixed to the VCR.
6. Connect new extension cord to CD changer.
7. Install CD changer on top of VCR (if VCR installed) or between mounting brackets.
8. Route new extension cord in same path as previous cord (through hole in overhead compartment, along window frame, through dash and up to radio.) Use cable ties as required.
9. Locate red wire (+12 V DC) from radio power connector (wire with in-line fuse holder.)
10. Connect CD changer power wire (yellow) to radio power wire (red) as shown in Figure 6. Solder wires then insulate connection using shrinkable tubing or electrical tape.
11. Connect the RCA connectors and CD changer control connector to radio (Fig. 6.)
12. Reinstall finishing pieces around driver's lateral windows.
13. Reinstall screws (5) to secure L.H. console cover.

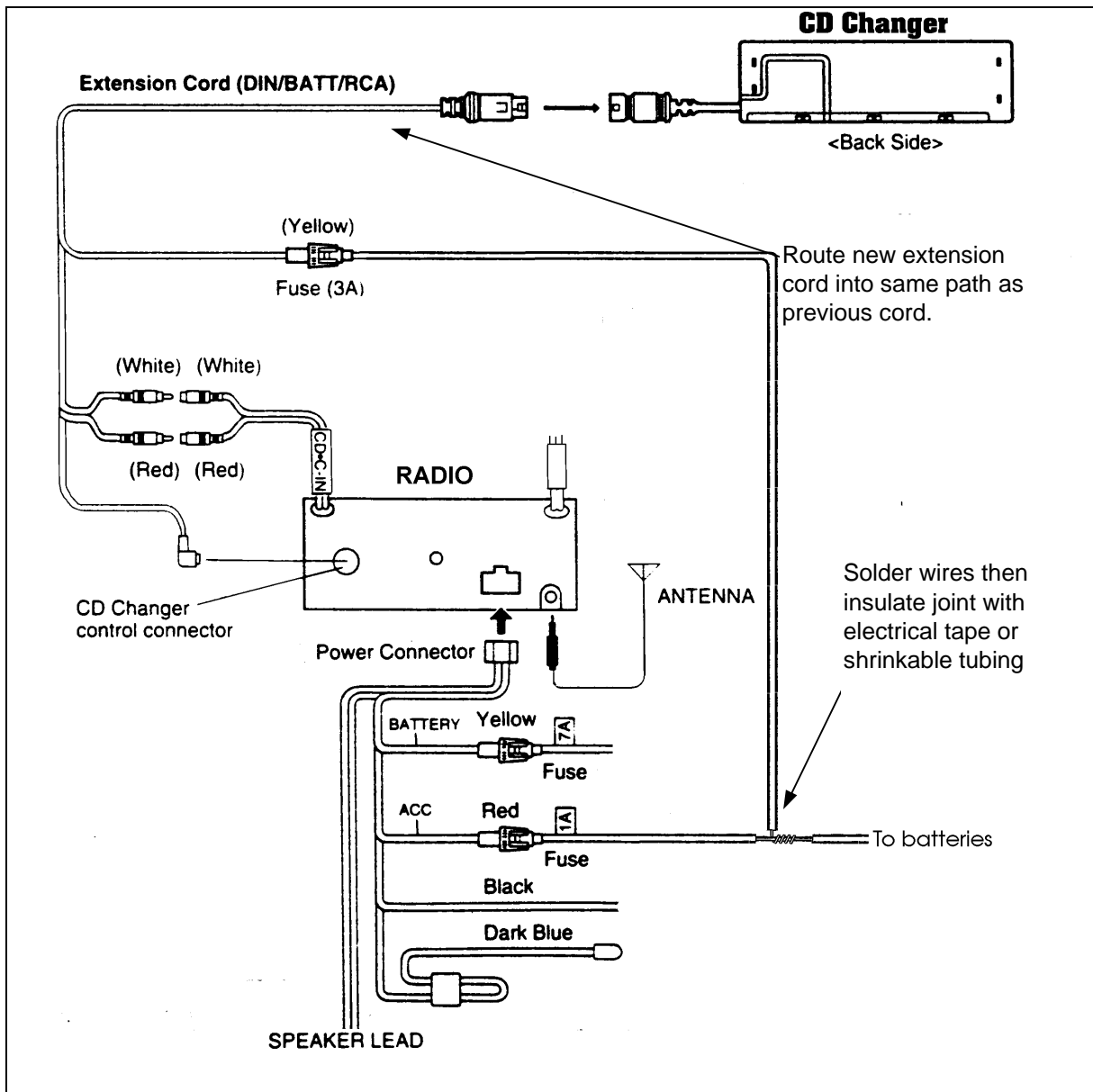


FIGURE 6

06202