



PREVOST

MAINTENANCE INFORMATION

MI24-22

| | | | |
|-----------|--|-----------|------------|
| DATE : | July 2024 | SECTION : | 00 GENERAL |
| SUBJECT : | HOW TO USE VIN WITH THE NEW CHASSIS IDENTIFICATION NUMBER | | |

First Release

07-02-2024

IMPORTANT NOTICE
This modification is recommended by PrevoSt to increase your vehicle's performance. Note that no reimbursement will be awarded for carrying out this modification.

APPLICATION

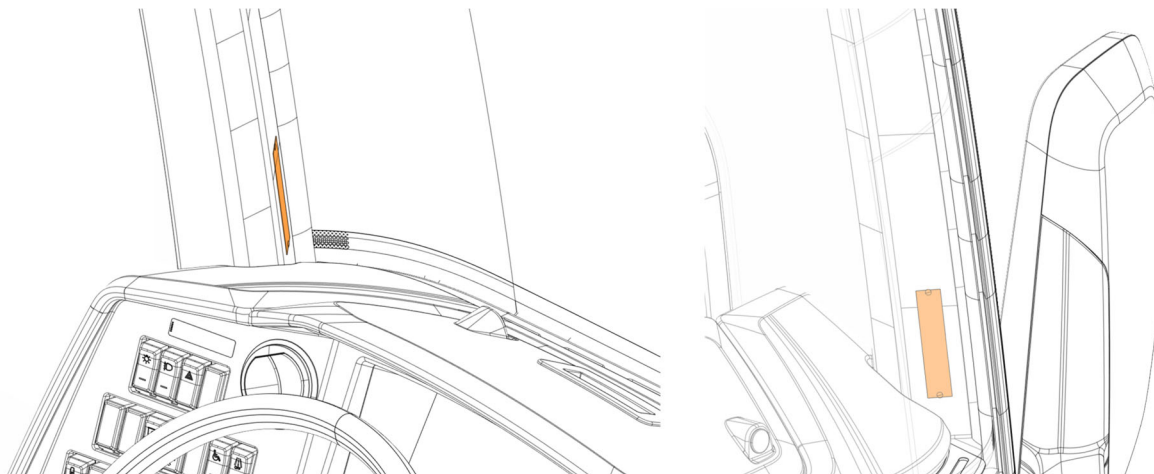
| Model | VIN |
|---|------------------------------|
| X3-45 coaches Model Year : 2024 - | From 2P9G33490RC001600 up to |
| X3-45 VIP commercial use Model Year : 2025 - | From 2P9CS3499SC110600 up to |
| X3-45 VIP motorhomes Model Year : 2025 - | From 2P9BS3493SC110605 up to |
| H3-45 coaches Model Year : 2024 - | From 2P9H33495RC001001 up to |
| H3-45 VIP motorhomes Model Year : 2025 - | From 2P9VS3498SC110001 up to |

DESCRIPTION

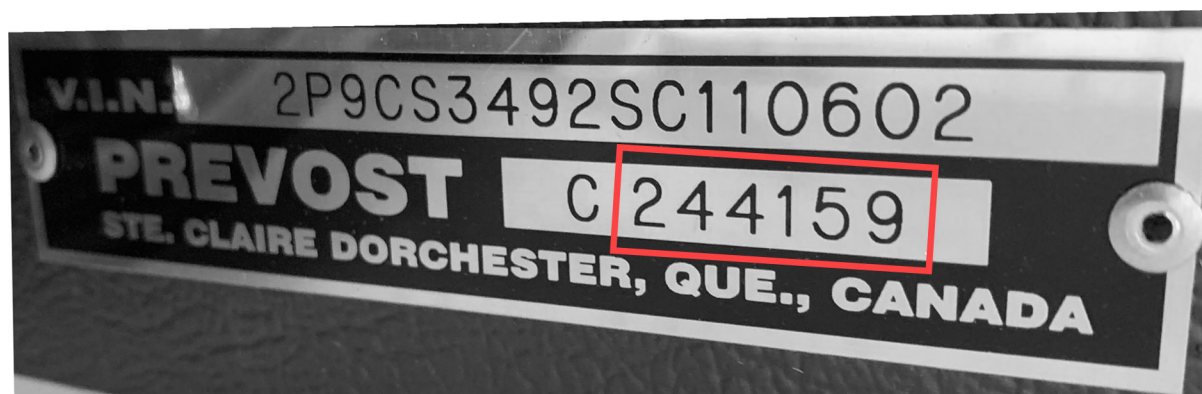
PrevoSt introduce new vehicle identification number (VIN) with a chassis ID number. This bulletin is to explain how to use the new chassis ID versus vehicle identification number (VIN) number with the application IMPACT.

HOW LOCATE THE NEW CHASSIS IDENTIFICATION NUMBER ON THE VIN PLATE

The vehicle identification number (VIN) number is engraved on a plate attached to the left front pillar, near the windshield (driver's side). It is visible from the outside.

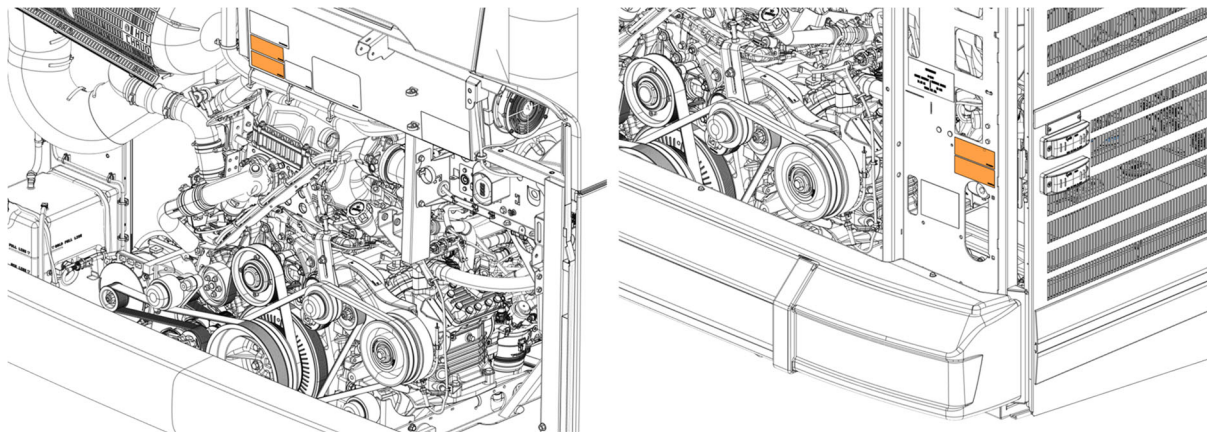


On the VIN plate for vehicles with the VIN start with **2P9** from year **2024** for buses and from year **2025** for motorhomes. You will find the new **chassis identification number** on the plate.



HOW LOCATE THE CHASSIS ID NUMBER ON THE VEHICLE EMISSION CONTROL DECAL

The vehicle emission control decal is located inside the engine compartment.



On the vehicle emission control decal for vehicles with the VIN start with **2P9** from year **2024** for buses and from year **2025** for motorhomes. You will find the new **chassis identification number** on the plate.

| | |
|---|---|
| PREVOST | VEHICLE EMISSION CONTROL INFORMATION PREVOST, A DIVISION OF VOLVO GROUP CANADA INC. |
| VEHICLE FAMILY IDENTIFICATION: RVPT2VOCVF01 VIN: 2P9CS3492SC110602 | |
| REGULATORY SUB-CATEGORY: Compression-ignition Heavy HDV vocational regional | |
| DATE OF MANUFACTURE: 06/2024 | CHASSIS: 244159 |
| VEHICLE EMISSION CONTROL SYSTEM: LRRR TPMS WR | |
| THIS VEHICLE COMPLIES WITH U.S. EPA REGULATIONS FOR 2024 MODEL YEAR HEAVY-DUTY VEHICLES. | |
| The information on this label corresponds with the certification year, which may not be the same as the manufacturer's model year. | |
| 010520 | |

| | |
|---|---|
| PREVOST | INFORMATIONS CONTRÔLE DES ÉMISSIONS DU VÉHICULE PREVOST, UNE DIVISION DU GROUPE VOLVO CANADA INC. |
| IDENTIFICATION FAMILLE DU VÉHICULE : RVPT2VOCVF01 VIN : 2P9CS3492SC110602 | |
| SOUS-CATÉGORIE RÉGLEMENTAIRE : Véhicule lourd vocation régionale à allumage par compression | |
| DATE DE FABRICATION : 06/2024 | CHASSIS : 244159 |
| SYSTÈME DE CONTRÔLE DES ÉMISSIONS DU VÉHICULE : LRRR TPMS WR | |
| CE VÉHICULE EST CONFORME AUX RÉGLEMENTATIONS AMÉRICAINES DE L'EPA POUR LES VÉHICULES LOURDS DE L'ANNÉE MODÈLE 2024. | |
| Les informations sur cette étiquette correspondent à l'année de certification, qui peut ne pas être la même que l'année modèle du fabricant. | |
| 010521 | |

HOW TO USE IMPACT APPLICATION WITH OLD VIN AND NEW VIN WITH CHASSIS IDENTIFICATION NUMBER

With the old VIN you need to use the last 6 digits of VIN.

Ex: 2PCCS3491SC**734126**:

Search

Chassis series: 734126

Parts Search

No search provided.
To get a result in this list you have to provide a search string.

2PCCS3491SC734126

There are several hits for this search criteria. Choose one of the following:

| Chassis series | Chassis No. | Model | Marketing type | VIN |
|----------------|-------------|--------|----------------|-------------------|
| A | 734126 | FH | FH13 64T | YV2AS02D4CA734126 |
| B | 734126 | FM (4) | FM11A42R | YV2X9J0A0FB734126 |
| E | 734126 | FH | FH13 64T | 9BVAS50D07E734126 |
| PREVX | 734126 | PREVX | PREVX | 2PCCS3491SC734126 |

Showing 1 to 4 of 4 entries

25 Entries

Previous Next

Close

With the New VIN you need to use the 6 digits ***chassis identification number***.

Ex: VIN 2P9CS3492SC110602 = chassis ID **244159**

Search

Chassis series: 244159

Parts Search

2P9CS3492SC110602
PREVOST 0244159
515 CLARK DORCHESTER, QUE., CANADA

There are several hits for this search criteria. Choose one of the following:

| Chassis series | Chassis No. | Model | Marketing type | VIN |
|----------------|-------------|-------|----------------|-------------------|
| A | 244159 | FH12 | FH12 62R | YV2A4B2C5TA244159 |
| B | 244159 | FH12 | FH12 42T | YV2A4AA9YB244159 |
| N | 244159 | VN | | 4V4ND5RH1YN244159 |
| PREVX | 244159 | PREVX | PREVX | 2P9CS3492SC110602 |

Showing 1 to 4 of 4 entries

25 Entries

Previous Next

Close

Access all our Service Bulletins on <http://techpub.prevostcar.com/en/>
Or scan the QR-Code with your smart phone

Are you a Vehicle owner?
E-mail us at technicalpublications_prev@volvo.com and type "ADD" in the subject to
receive warranty bulletins applicable to your vehicle(s) by e-mail.

