

# PREVOST

## Instruction Sheet

## IS-18095


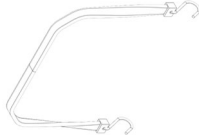
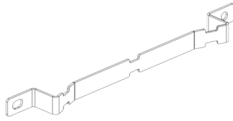
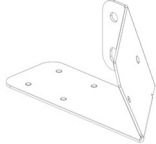


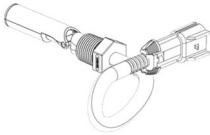

### COOLANT RECOVERY TANK INSTALLATION APPLICABLE TO H3 SERIES FROM K-0185


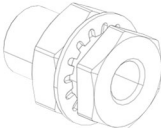
First Release

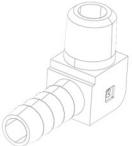
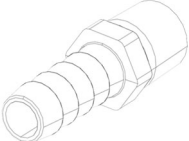





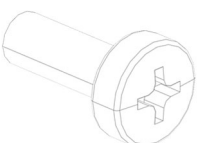


09-17-2024


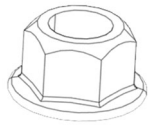

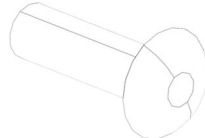
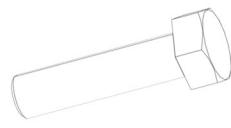


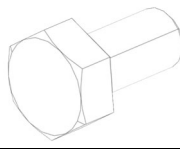



#### MATERIAL

Kit **IS18095-1** includes the following parts (for vehicle up to **K-0604**):

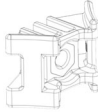

Part No	Description		Qty
050615	RECOVERY TANK		1
504116	RUBBER TIE DOWN 25"		2
050112	BRACKET, RECOVERY TANK		1
0610076	SUPPORT, SENSOR AFSS		1
0600528	HARNESS RECOVERY TANK ENGINE ACC		1
0600529	HARNESS RECOVERY TANK RJB		1
069812	COOLANT LEVEL SENSOR ASS		1
050340	ELBOW ASSEMBLY		1

501089	MALE ELBOW 90° #4BBX1/4NPT-M		1
503789	HOSE 1/4" X 25' SILICONE		1.5ft
21283796	SPRING HOSE CLAMP 1/4"		1
040063	BRACKET DPF VOLVO		1
050465	DECAL "OPERATIONAL MODE" ENGLISH & FRENCH		1
050466	DECAL "OPERATIONAL MODE" ENGLISH		1
501711	BULKHEAD FITTING 1/4NPT-FX1/4NPT-F		1
500858	WASHER LOCK INT Z050 .769X1.245X.055		1
641936	BALL VALVE 1/4NPT MXF		1
501894	TEE 1/4NPT-M X 1/4NPT-F X 1/4NPT-F		1
501329	ELBOW 45° 1/4NPT-MX1/4NPT-F		1

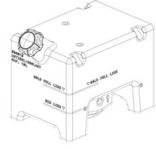
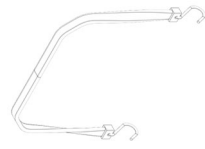
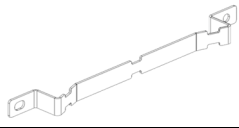
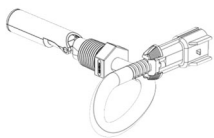
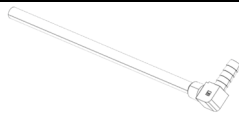






501088	MALE ELBOW 90° #6BBX1/4NPT-M		2
642196	FITTING STRAIGHT #6BBX1/4NPT-M		2
501800	PLUG 1/4NPT-M HEXS		1
501316	ADAPTOR 1/2NPT-MX1/4NPT-F		1
503702	HOSE 3/8X50' SAFETY STRIPE		8FT
992081	CLAMP HOSE CT CAILLAU 12-22		6
504671	GROMMET .6875X1.000X.125X.4375X1.312		2
504421	GROMMET .625X.875X.1875X.4375X1.125		1
502817	SCREW MACHINE PAN PH N500 M6-1X16		2
502570	WASHER LOCK SPLIT SS 6.1X11.8X1.6		2
5001833	WASHER BEL SPR SS 301 6.65X17.4X1.27		1

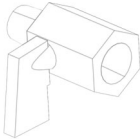
500967	WASHER BEL SPR N500 .512X1.142X.098		2
5001774	NUT HEX FL STO N500 M12-1.75		2
504379	RIVET POP DOME SS OE 3/16 (0.126_0.250)		8
504610	RIVET MGL PRDG SS 1/4 (0.350_0.625)		5
5001146	SCREW CAP HEX SS NSS M5X20		2
505045	NYLON SPACER		2
5001587	NUT HEX NYRT SS M5-0.8		2
5001527	SCREW CAP HEX SS NSS M8 X 16		2
5001848	WASHER BELL SS .331X.827X.098		2
5002013	RIVET NUT FL OKS M8X1.25X20X7.9SS M8-1.25		2
504013	CABLE TIE MOUNT, BLACK 1/4"		8


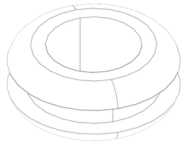
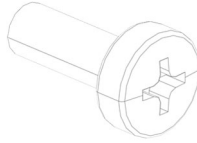



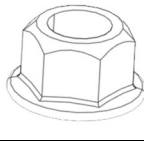



509490	TWO-WAY SADDLE MOUNTS, GRAY		5
504637	CABLE TIE, NYLON BLACK (STD)		44
IS-18095	INSTRUCTION SHEET		1
FI-18095	FEUILLE D'INSTRUCTION		1

Kit **IS18095-2** includes the following parts (for vehicle from **K-0605**):

Part No	Description		Qty
050615	RECOVERY TANK		1
504116	RUBBER TIE DOWN 25"		2
050112	BRACKET, RECOVERY TANK		1
069812	COOLANT LEVEL SENSOR ASS		1
050340	ELBOW ASSY		1
501089	MALE ELBOW 90° #4BBX1/4NPT-M		1
503789	HOSE 1/4" X 25' SILICONE		1.5ft
21283796	SPRING HOSE CLAMP 1/4"		1
040063	BRACKET DPF VOLVO		1
050465	DECAL "OPERATIONAL MODE" ENGLISH & FRENCH		1
050466	DECAL "OPERATIONAL MODE" ENGLISH		1

501711	BULKHEAD FITTING /1/4NPT-FX1/4NPT-F		1
500858	WASHER LOCK INT Z050 .769X1.245X.055		1
641936	BALL VALVE 1/4NPT MXF		1
501894	TEE 1/4NPT-M X 1/4NPT-F X 1/4NPT-F		1
501329	ELBOW 45° 1/4NPT-MX1/4NPT-F		1
501088	MALE ELBOW 90° #6BBX1/4NPT-M		2
642196	FITTING STRAIGHT #6BBX1/4NPT-M		2
501800	PLUG 1/4NPT-M HEXS		1
501316	ADAPTOR 1/2NPT-MX1/4NPT-F		1
503702	HOSE 3/8X50' SAFETY STRIPE		8FT
992081	CLAMP HOSE CT CAILLAU 12-22		6

504671	GROMMET .6875X1.000X.125X.4375X1.312		2
504421	GROMMET .625X.875X.1875X.4375X1.125		1
502817	SCREW MACHINE PAN PH N500 M6-1X16		2
502570	WASHER LOCK SPLIT SS 6.1X11.8X1.6		2
5001833	WASHER BEL SPR SS 301 6.65X17.4X1.27		1
500967	WASHER BEL SPR N500 .512X1.142X.098		2
5001774	NUT HEX FL STO N500 M12-1.75		2
504637	CABLE TIE, NYLON BLK (STD)		10
IS-18095	INSTRUCTION SHEET		1
FI-18095	FEUILLE D'INSTRUCTION		1

Other parts that may be required:

Part No.	Description	Qty
680098	TEFLON LOCTITE 567 250ML	AR
680901	PLASTIC SEALANT LOCTITE MR 5438, 473ML	AR

**NOTE**  
Material can be obtained through regular channels.

## SAFETY PRECAUTIONS

- Eye protection should always be worn when working in a shop.
- Rules for Personal Protection Equipment should always be respected. Wear your PPE including but not limited to the following:



# Safety First!



## PROCEDURE



### DANGER

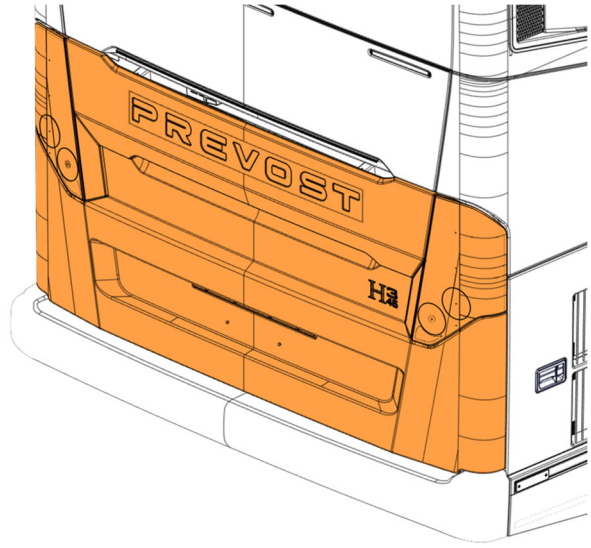
Park vehicle safely, apply parking brake, stop engine. Prior to working on the vehicle, set the ignition switch to the OFF position and trip the main circuit breakers equipped with a trip button. On Commuter type vehicles, set the battery master switch (master cut-out) to the OFF position.

Lock out & Tag out (LOTO) must be performed during set-up, maintenance or repair activities. Refer to your local procedure for detailed information regarding the control of hazardous energy.

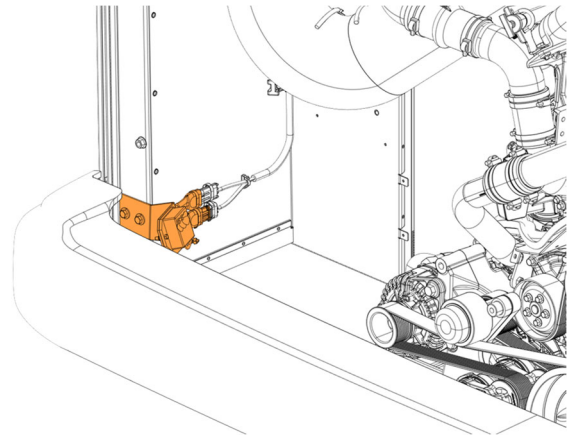
FOR VEHICLES UP TO K-0604 ONLY - FIRE DETECTOR RELOCATION .....	11
STRUCTURE MODIFICATION.....	16
RECOVERY TANK ASSEMBLY .....	17
SUPPORT AND VALVE ASSEMBLY .....	19
SURGE TANK SYSTEM MODIFICATION.....	20
RECOVERY TANK SYSTEM INSTALLATION.....	25
FOR VEHICLES UP TO K-0604 ONLY - CONNECT THE LEVEL SENSOR .....	30
FOR VEHICLES FROM K-0605 ONLY - CONNECT THE LEVEL SENSOR.....	36
INSTALL THE DECAL .....	36
FILLING THE RECOVERY TANK .....	36

## FOR VEHICLES UP TO K-0604 ONLY - FIRE DETECTOR RELOCATION

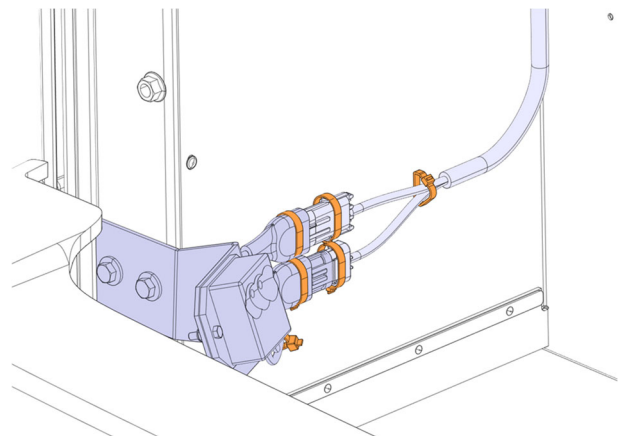
1. Open the rear engine door.



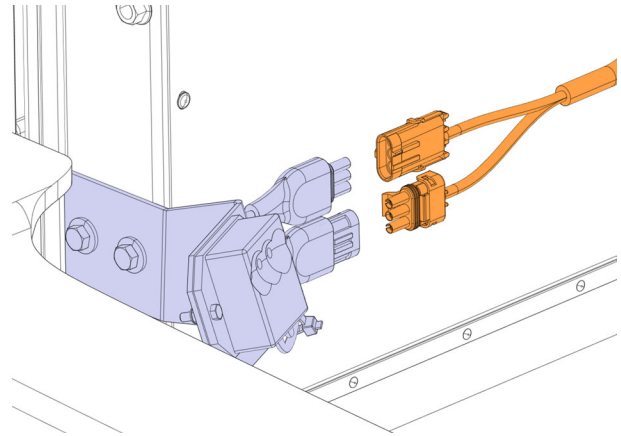
2. Locate the fire detector.



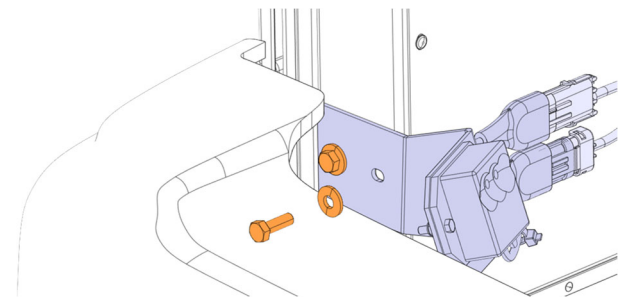
3. Cut the cable ties.



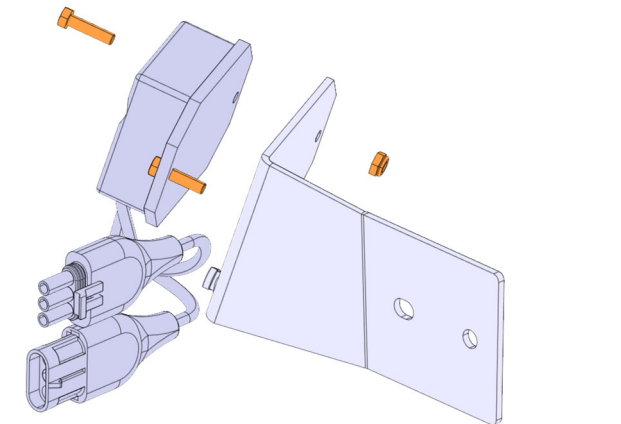
4. Disconnect the detector.



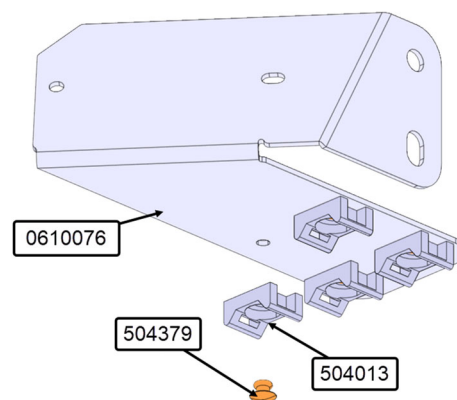
5. Remove the screws (2x), the washers (2x) and the detector assembly.



6. Remove the detector from the support and discard hardware and support.

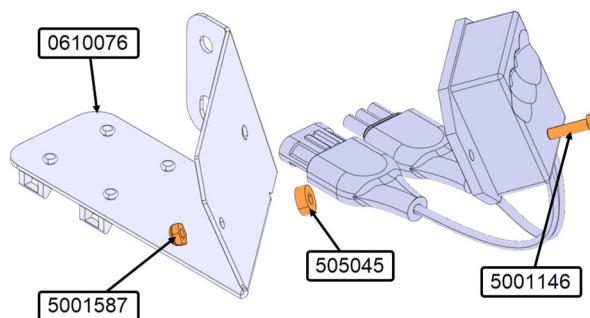


7. Install the cable tie mounts 504013 (4x) with the rivets 504379 (4x) on the new support 0610076.



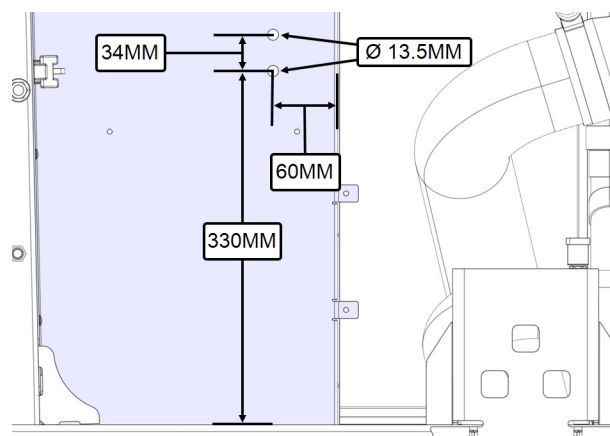


8. Reinstall the detector on the support 0610076 with the screws 5001146 (2x) and the spacers 505045 (2x) and the nuts 5001587 (2x).



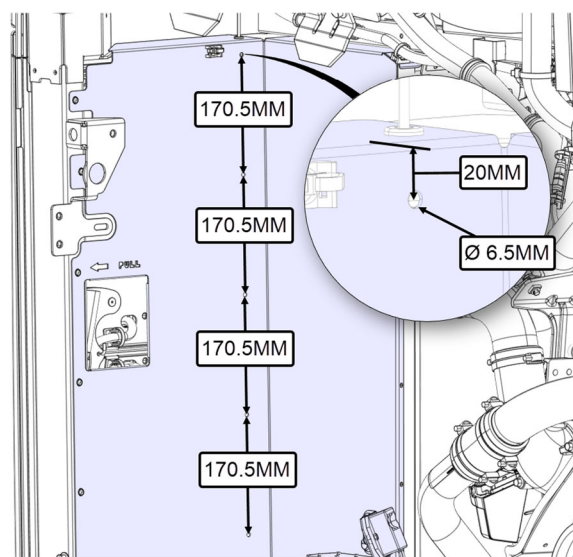
9. Drill two holes  $\varnothing$  13.5mm for the detector support.

Note: When drilling, be careful not to drill through the radiator.

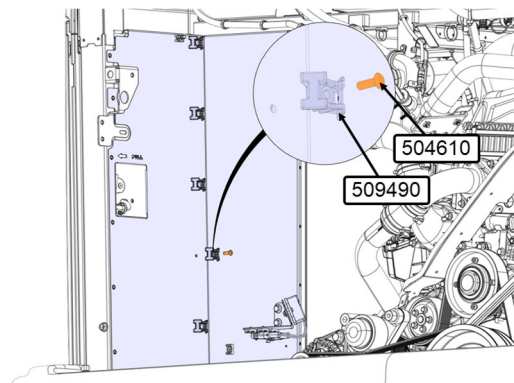


10. Drill five holes  $\varnothing$  6.5mm for the cable ties supports.

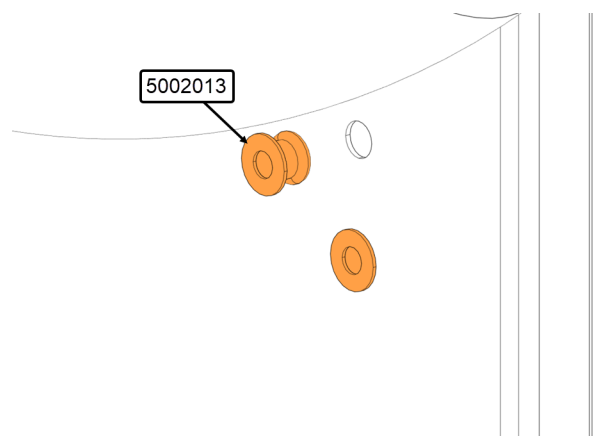
Note: When drilling, be careful not to drill through the radiator.



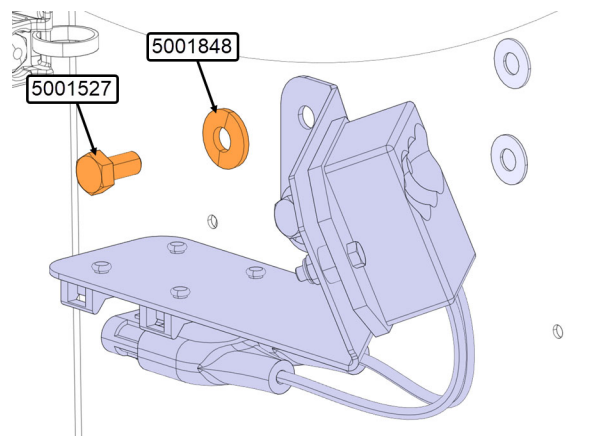
11. Install the cable ties support 509490 (5x) with the rivets 504610 (5x).



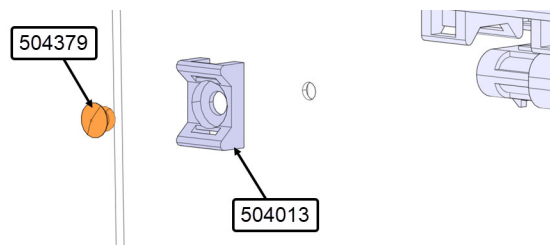
12. Install the rivet nuts 5002013 (2x).



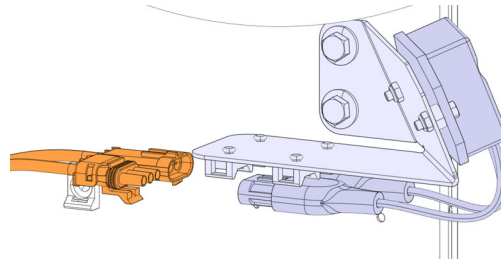
13. Reinstall the detector assembly on the support with the screws 5001527 (2x) and the washers 5001848 2(x).



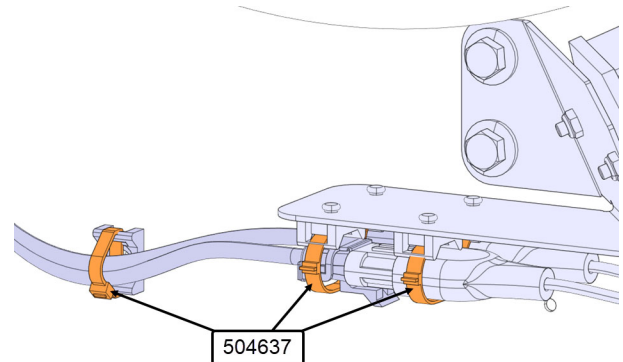
14. Install the cable tie mounts 504013 (4x) with rivet 504379 (4x).



15. Reconnect the detector.

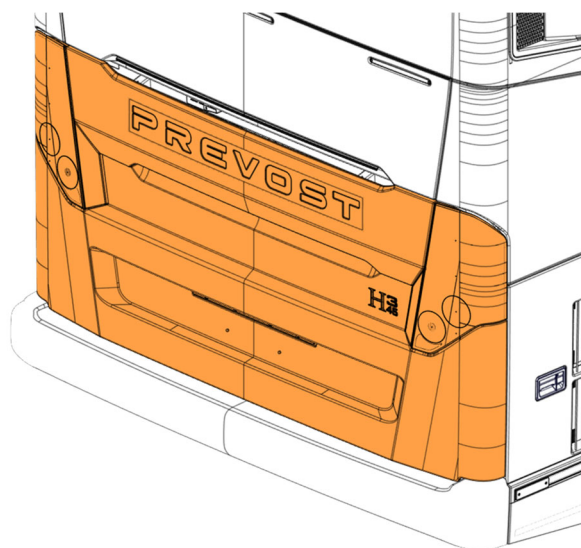


16. Secure the harness and the detector with the cable ties 504637 (5x).



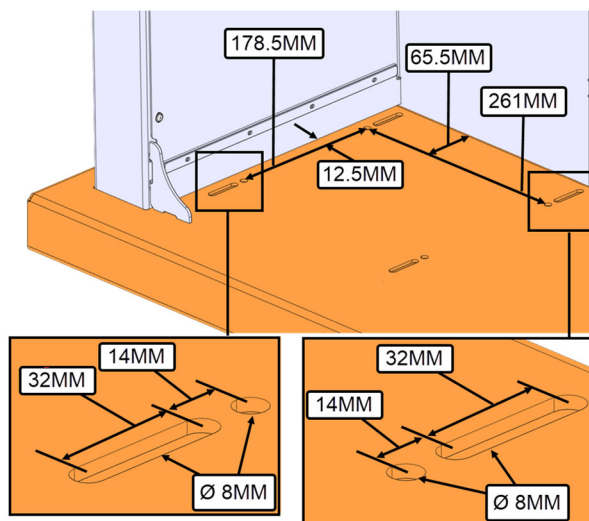
## STRUCTURE MODIFICATION

1. Open the rear engine door.

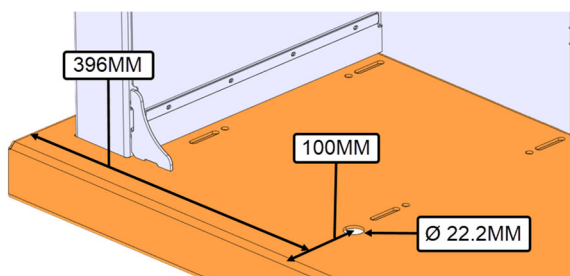


2. Drill four holes of  $\varnothing$  8MM (5/16") see the image for the location.
3. Drill four notches with the dimension of 8mm x 32mm see the image for the location.

Note: To create the notch drills four holes.

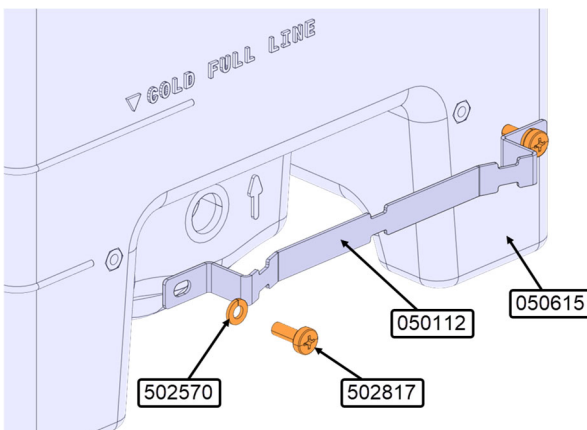


4. Drill a hole of  $\varnothing$  22.2MM (7/8") see the image for the location.

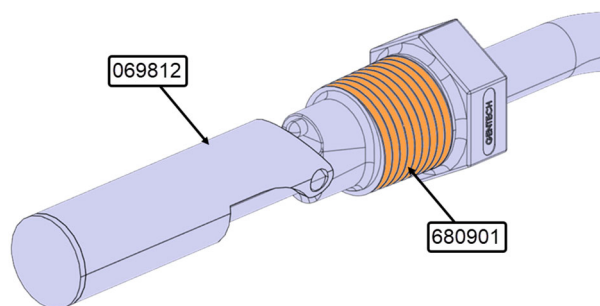


## RECOVERY TANK ASSEMBLY

1. Install the support 050112 with the screws 502817 (2x) and the washers 502570 (2x) on the tank 050615.



2. Apply plastic sealant 680901 on the threads of the coolant level sensor 069812.

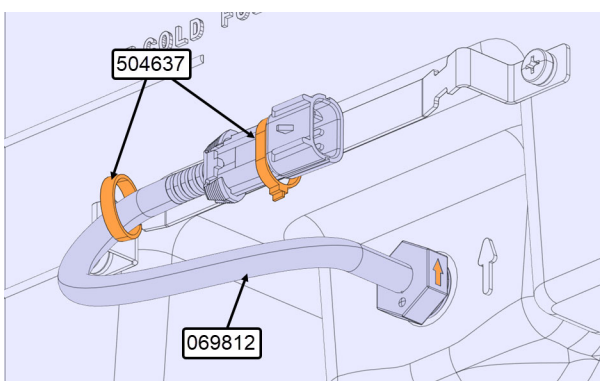


3. Install the coolant level sensor 069812 on the tank 050615.

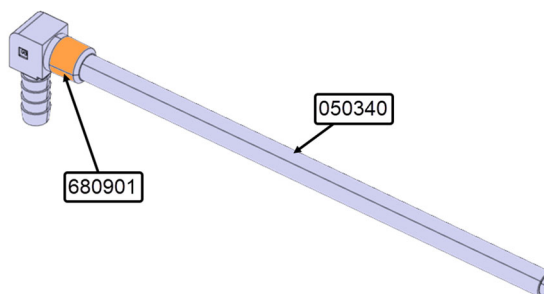
Note:

- It must remain between 0 and 1 thread.
- Make sure arrow points upwards.

4. Secure the harness sensor with the cable ties 504637 (2x).

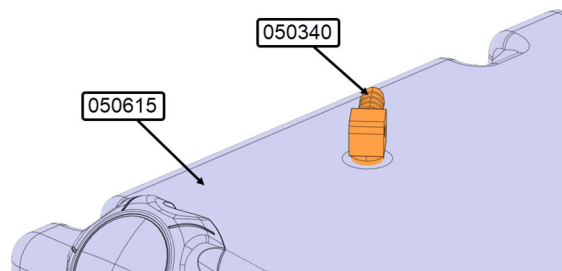


5. Apply plastic sealant 680901 on the threads of elbow assembly 050340.

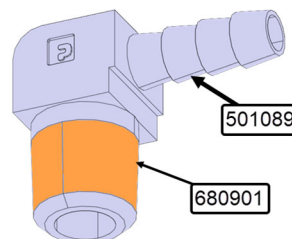


6. Install the elbow assembly 050340 on the tank 050615.

Note: It must remain between 0 and 1 thread.

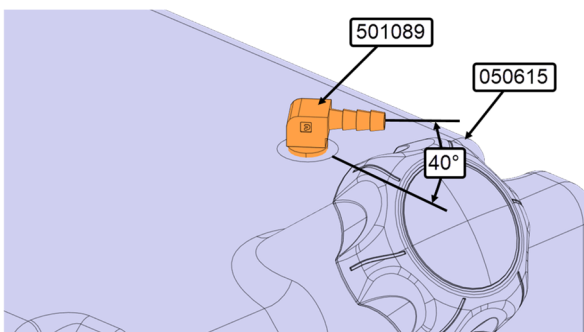


7. Apply plastic sealant 680901 on the threads of elbow 501089.

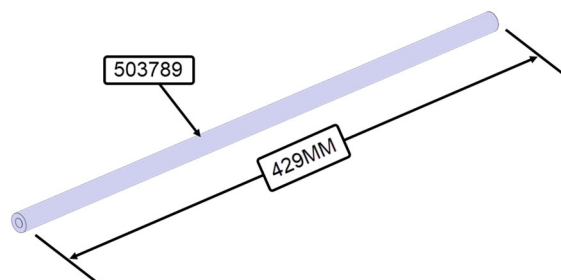


8. Install the elbow 501089 on the tank 050615 at an angle of 40°.

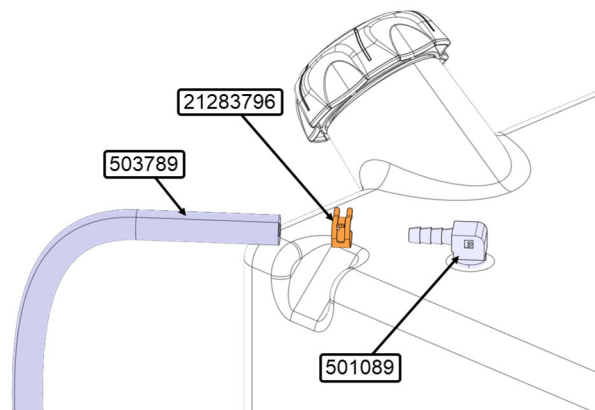
9. Note: It must remain between 0 and 1 thread.



10. Cut a 429mm length of hose 503789.

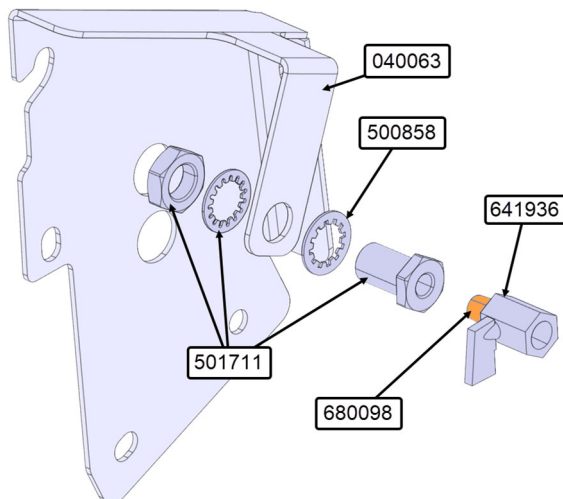


11. Secure the hose 503789 on the elbow 501089 with the clamp 21283796.

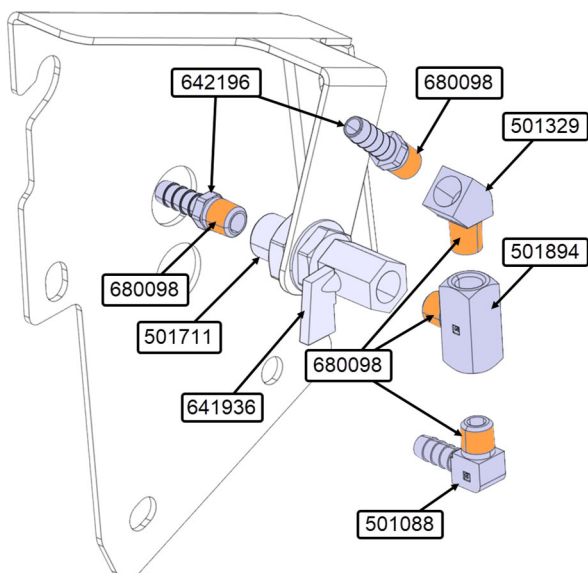


## SUPPORT AND VALVE ASSEMBLY

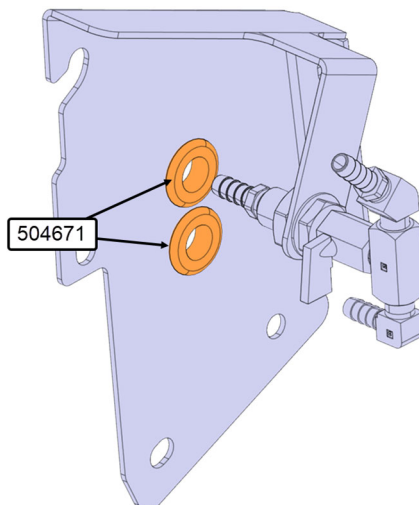
1. Install the bulkhead fitting 501711 with the washer 500858 on the support 040063.
2. Apply thread sealant 680098 on the threads of valve 641936.
3. Install the valve 641936 on the bulkhead fitting 501711.



4. Apply thread sealant 680098 on the threads of all fitting.
5. Install the tee fitting 501894 on the valve 641936.
6. Install the 45° elbow fitting 501329 and the 90° elbow fitting 501088 on the tee fitting 501894.
7. Install one straight fitting 642196 on the 45° elbow fitting 501329.
8. Install one straight fitting 642196 on the bulkhead fitting 501711.



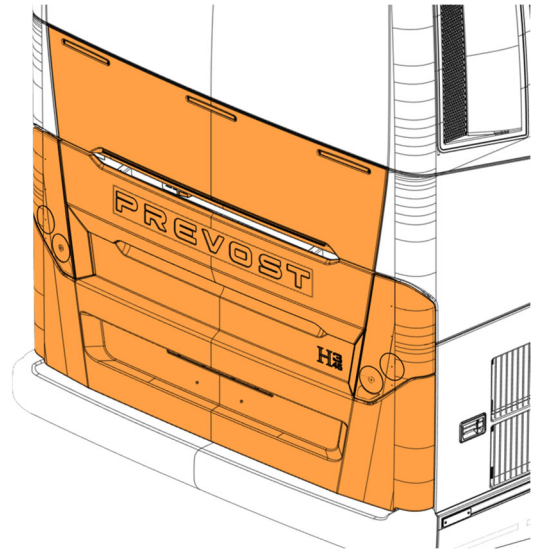
9. Install the grommets 504671 (2x).



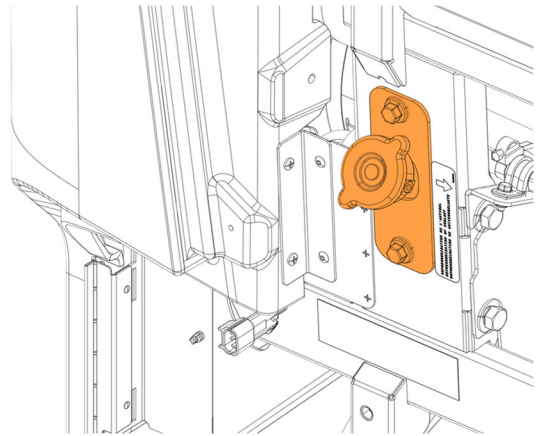


## SURGE TANK SYSTEM MODIFICATION

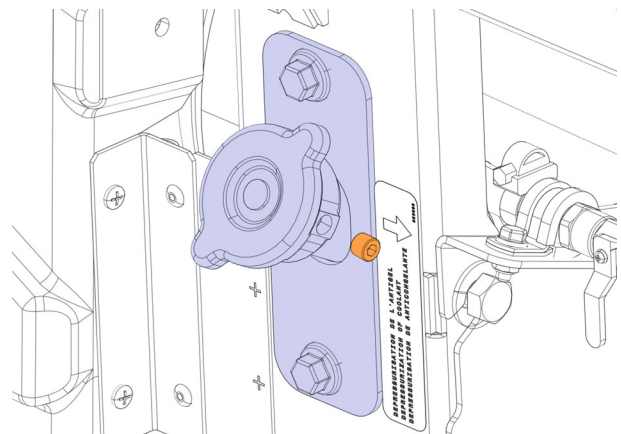
1. Open the rear engine doors.



2. Locate the coolant filling neck.

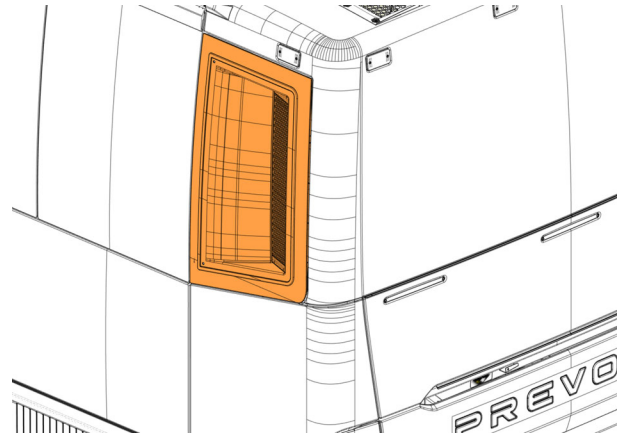


3. Remove the plug.
4. Keep the plug for reuse.

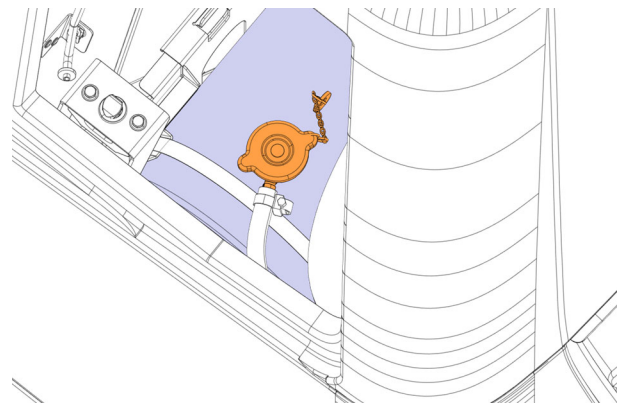




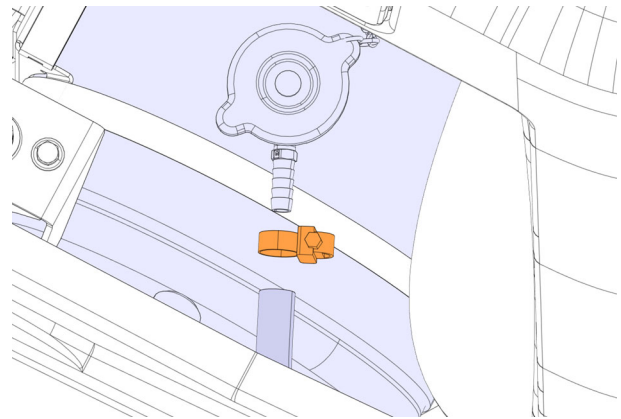
5. Open the SCR access door.



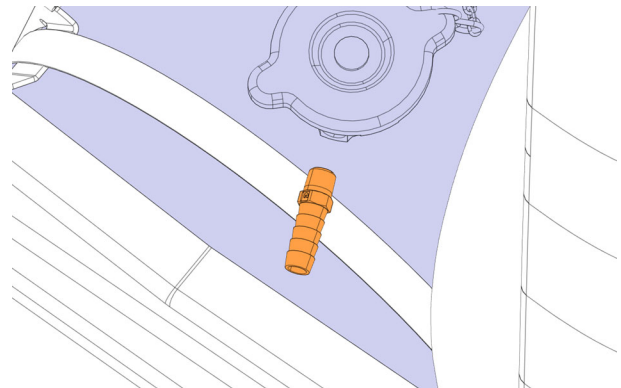
6. Locate the surge tank cap.



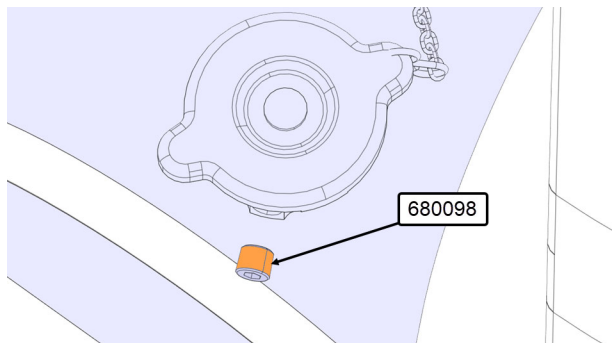
7. Disconnect the hose and the clamp.



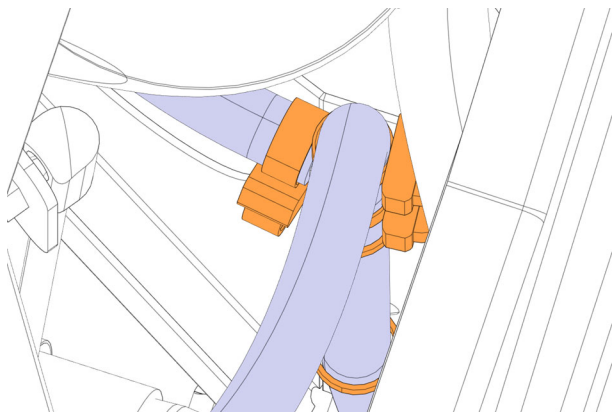
8. Remove the hose adaptor.  
9. Keep the adaptor for reuse.



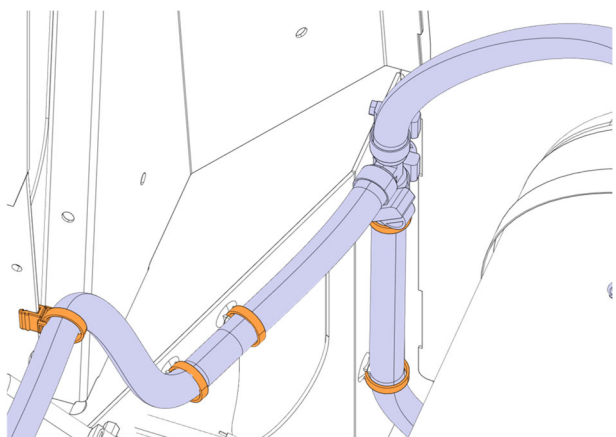
10. Apply thread sealant 680098 on the threads of the plug.
11. Reinstall the plug on the surge tank.



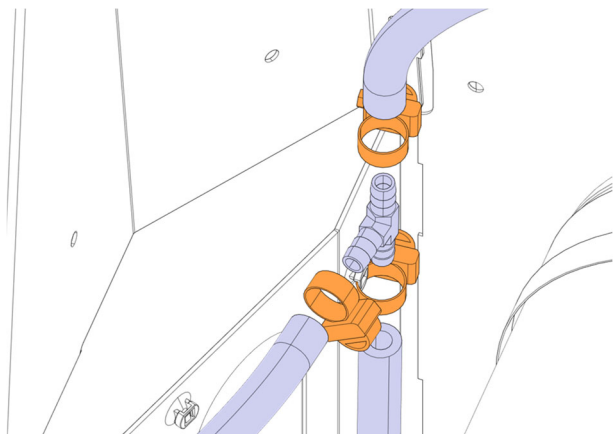
12. Locate the hoses to remove.



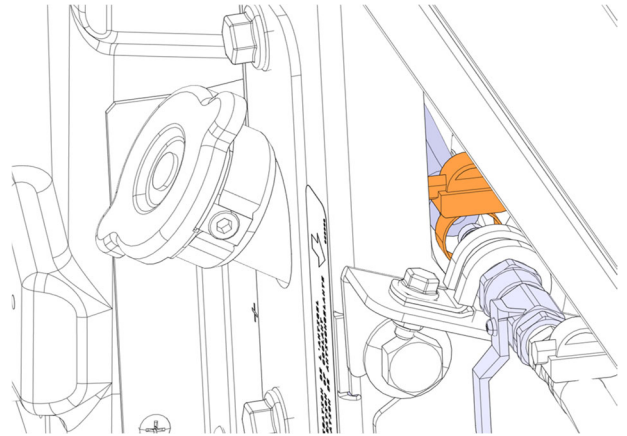
13. Cut the cable ties (5x) that secure the hoses.



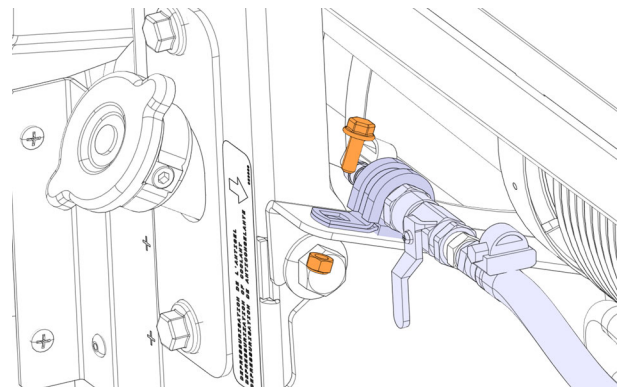
14. Disconnect the hoses (3x) and tee fitting and the clamps (3x).
15. Discard the hoses, the tee fitting and the clamps.



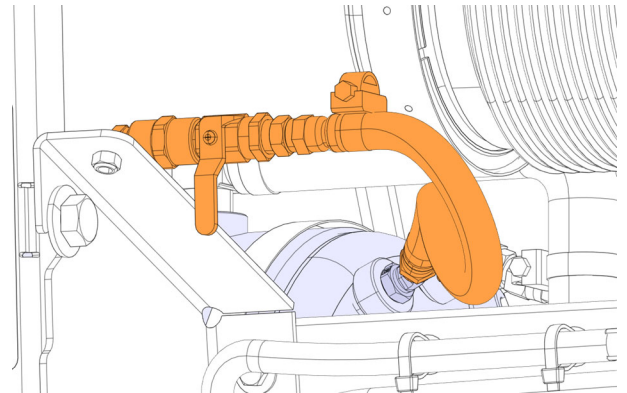
- 16. Disconnect the hose and the clamp.
- 17. Discard the hose and the clamp.



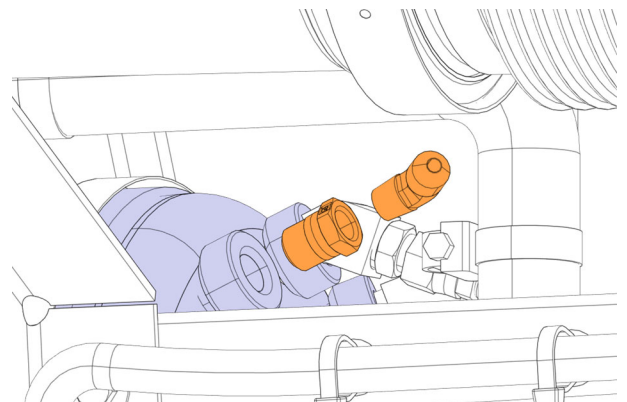
- 18. Remove the clamp, the screw and the nut.
- 19. Discard the clamp, the screw and the nut.



- 20. Remove the hose assembly and discard.

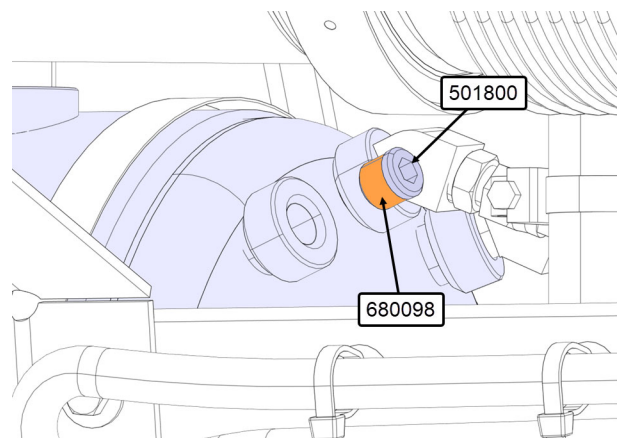


- 21. Remove the fittings and discard.

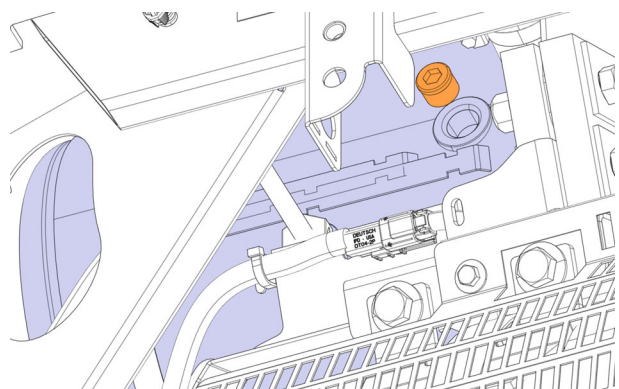


22. Apply thread sealant 680098 on the threads of the plug 501800.

23. Install the plug 501800 on the surge tank.

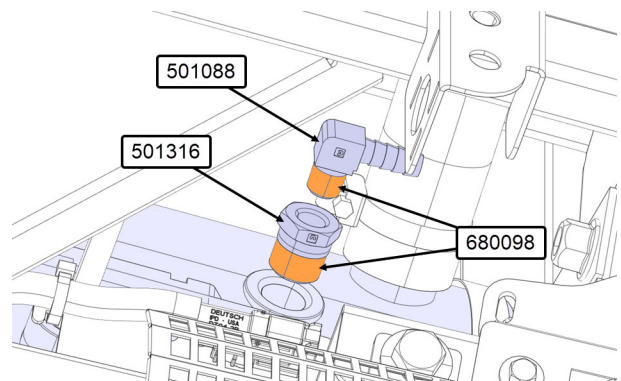


24. Remove the plug and discard.



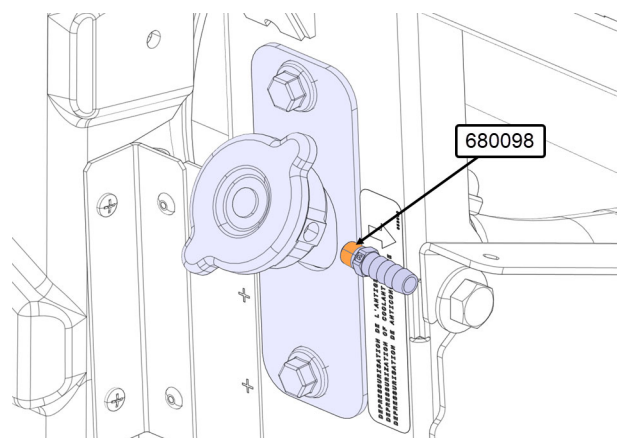
25. Apply thread sealant 680098 on the threads of fitting reducer 501316 and elbow 90° adaptor 501088.

26. Install fitting reducer 501316 and elbow 90° adaptor 501088 on the surge tank.



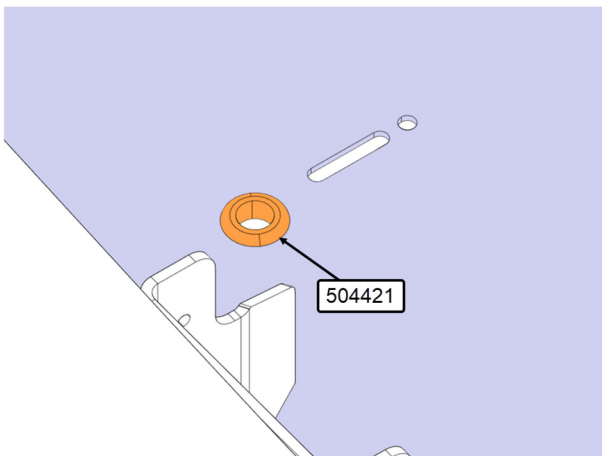
27. Apply thread sealant 680098 on the threads of the hose adaptor.

28. Reinstall the hose adaptor on the filling neck.

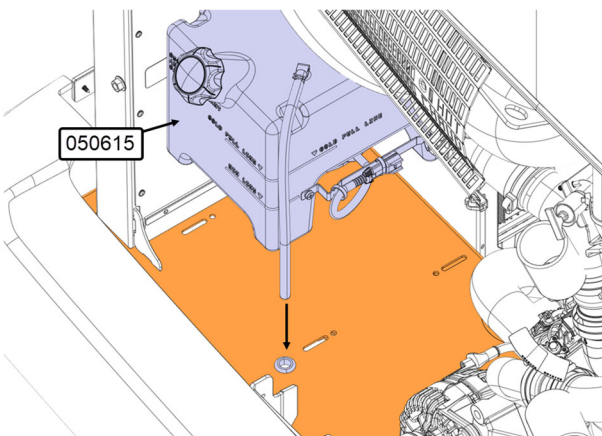


## RECOVERY TANK SYSTEM INSTALLATION

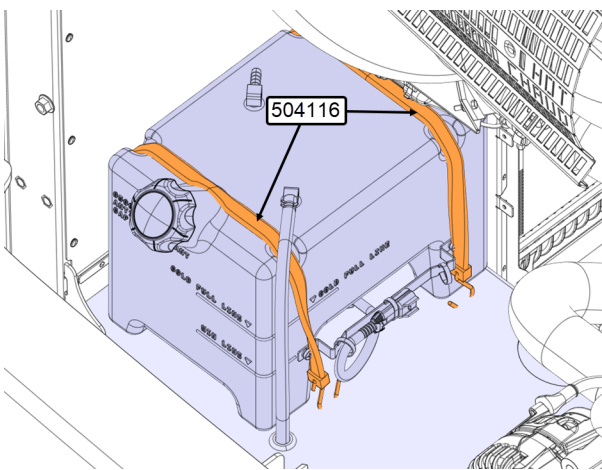
1. Install the grommet 504421.



2. Install the recovery tank assembly 050615.

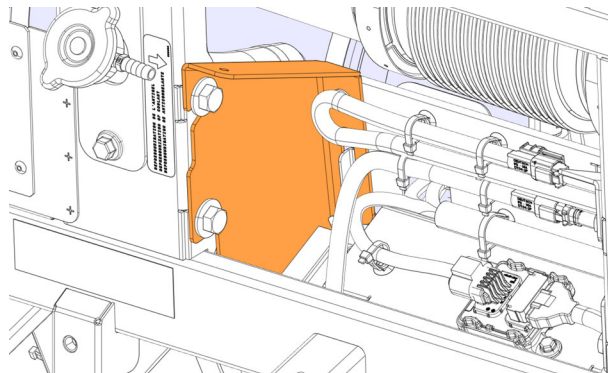


3. Secure the tank with the rubber ties down 504116 (2x).



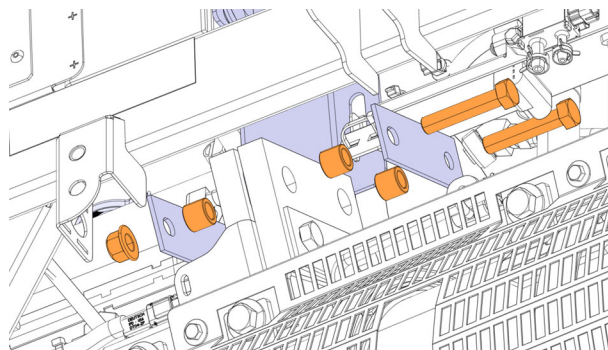


4. Locate the DPF support to replace.



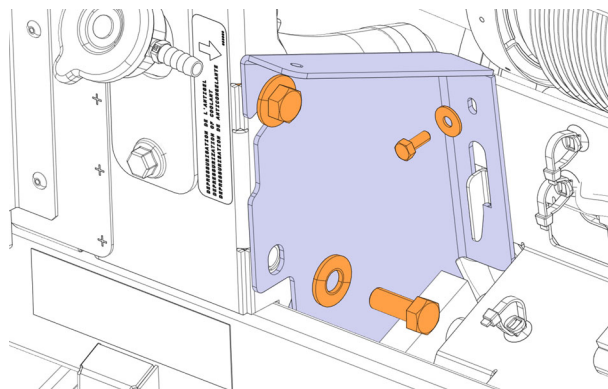
5. Remove the screws (2x), the plates (2x), the bushing (4x) and the nuts (2x).

6. Discard the nuts.

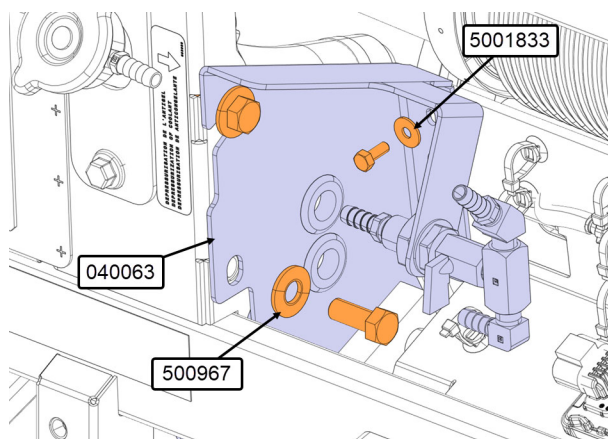


7. Remove the screws (3x) and the washers (3x) and the support.

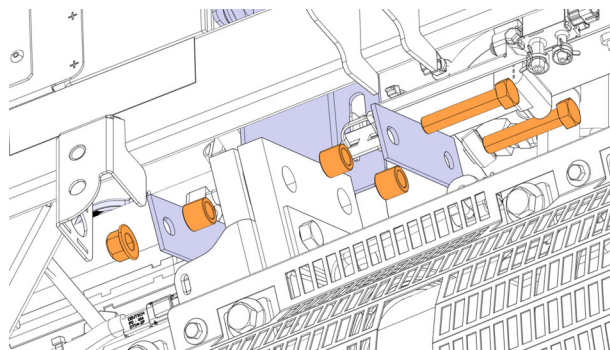
8. Discard the support and the washers.



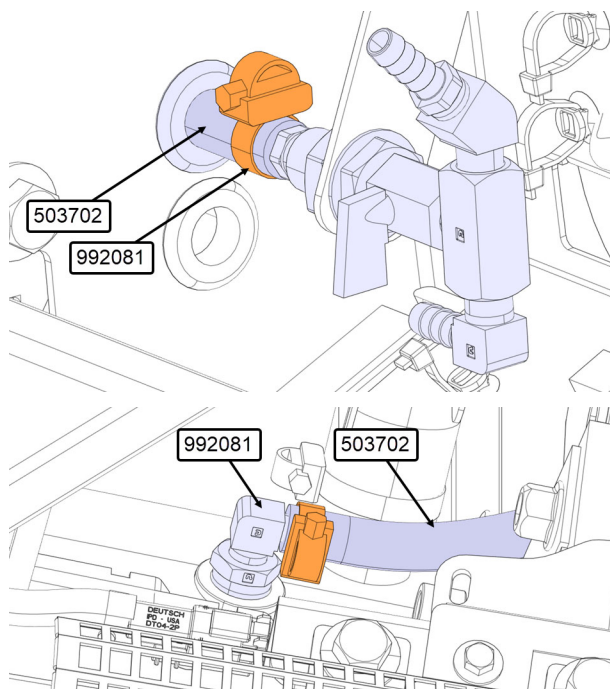
9. Install the new support with valve assembly with the screws (3x) and the new washers 500967 (2x), 5001833 (1x).



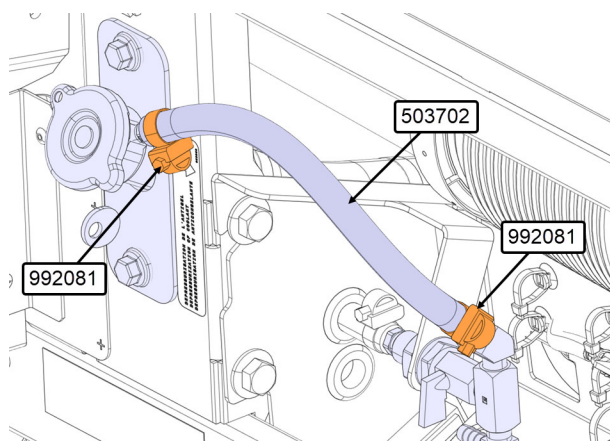
10. Reinstall the screws (2x), the plates (2x), the bushing (4x) with the new nuts 5001774 (2x).



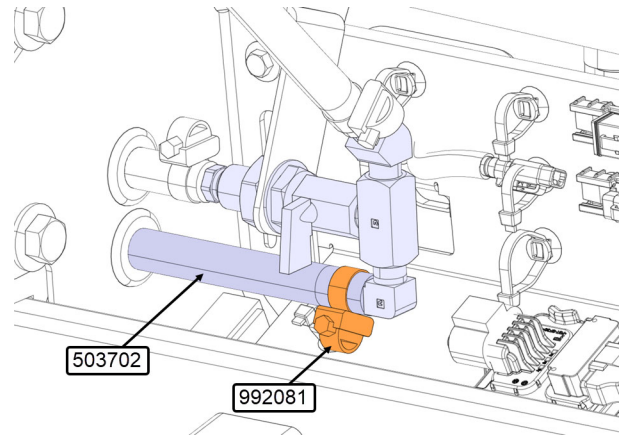
11. Cut a length of hose 503702 to connect the valve to the tank.
12. Connect the hose 503702 to the valve assembly and to the surge tank with the clamps 992081 (2x).



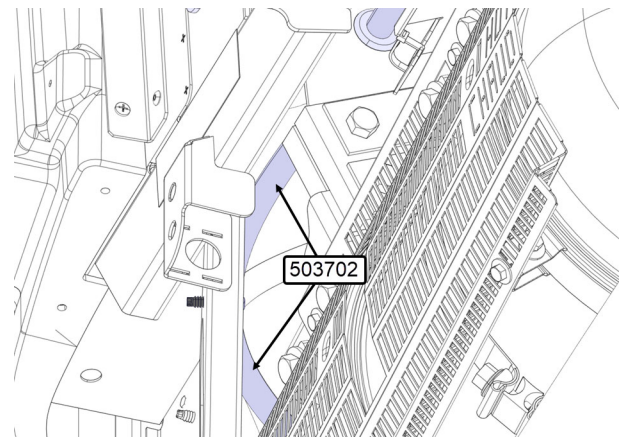
13. Cut a length of hose 503702 (280MM)
14. Connect the hose 503702 to the valve assembly and to the filling neck with the clamps 992081 (2x).



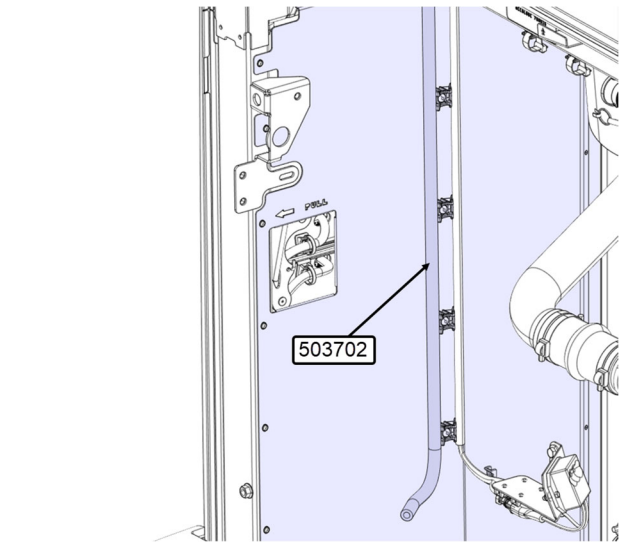
15. Cut a length of hose 503702 (1830MM).
16. Connect the hose 503702 to the valve assembly with the clamp 992081 (1x).
17. Run the hose inside the grommet.



18. Run the hose 503702 above the DPF.

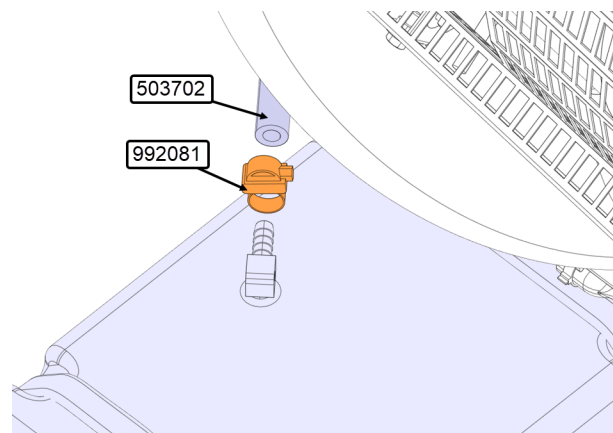


19. Run the hose 503702 along the radiator panel.

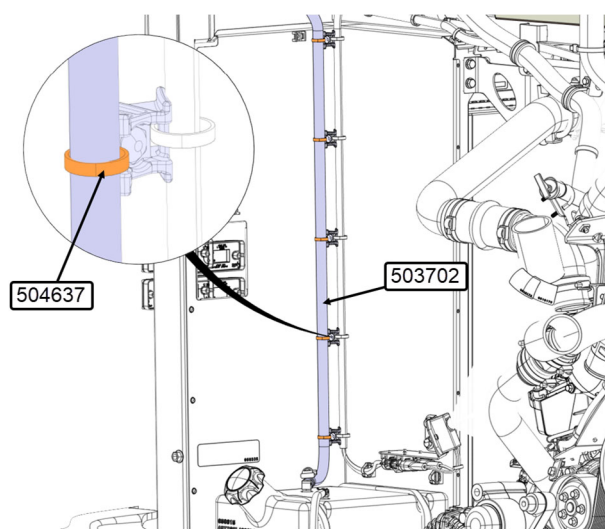




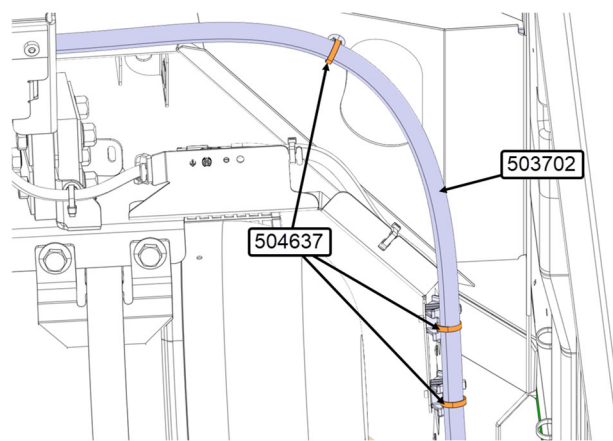
20. Connect the hose 503702 to the tank with the clamp 992081 (1x).



21. Secure the hose 503702 with the cable ties 504637 (5x).

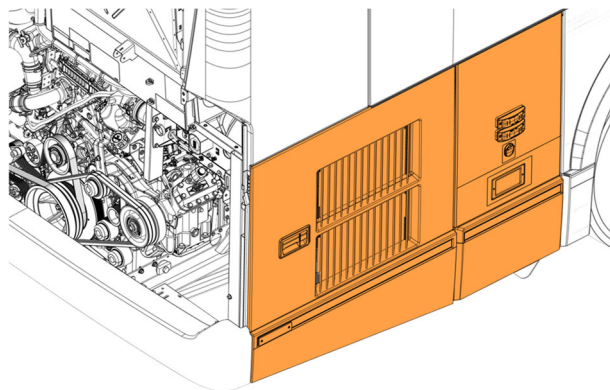


22. Secure the hose 503702 with the cable ties 504637 (3x).

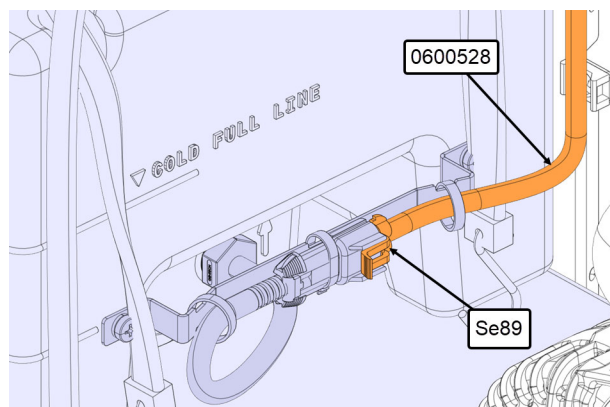


## FOR VEHICLES UP TO K-0604 ONLY - CONNECT THE LEVEL SENSOR

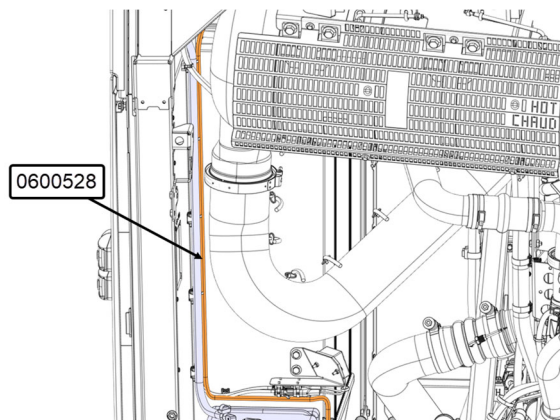
1. Open the compressor compartment door.
2. Open the batteries compartment door.



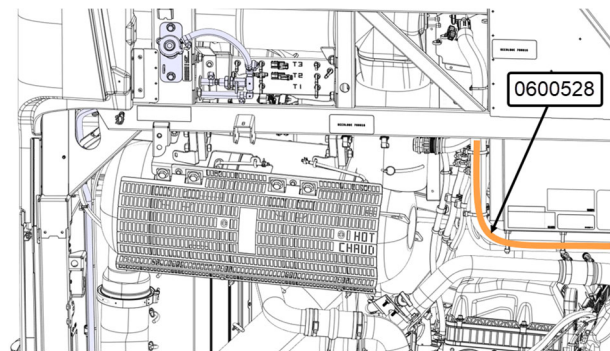
3. Plug the connector **Se89** of the recovery tank harness 0600528 to the recovery tank level sensor.



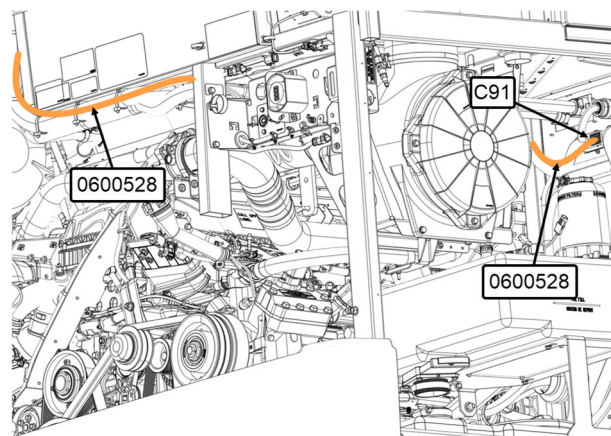
4. Run the harness 0600528 along the radiator panel.



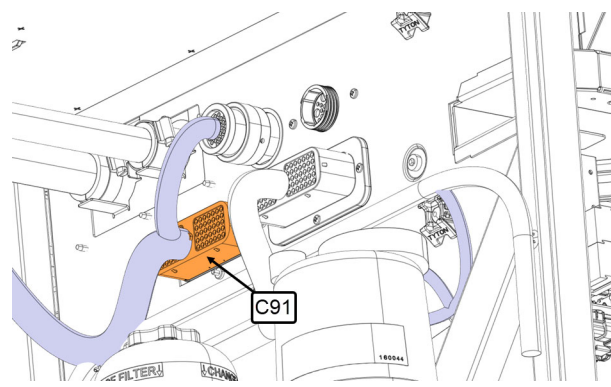
5. Run the harness 0600528 following the accessories harness.



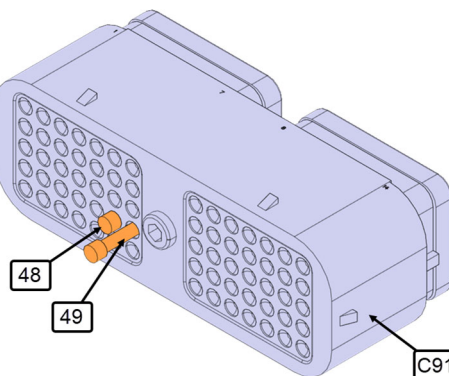
6. Run the harness 0600528 following the accessories harness to batteries compartment connector **C91**.



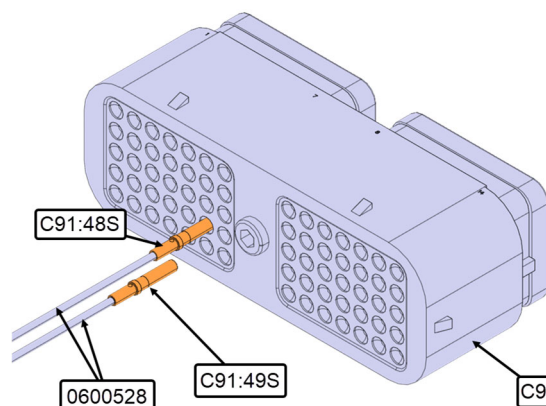
7. Disconnect the connector **C91**.



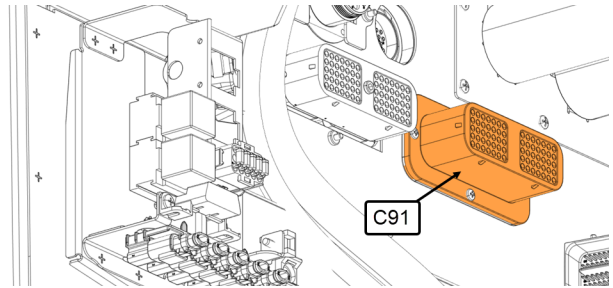
8. Remove the plugs (2x) from positions **48** and **49** from connector **C91**.



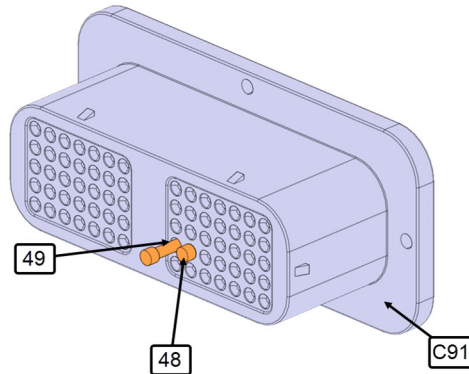
9. Insert the terminal **C91:48S** of harness 0600528 into position **48** of connector **C91**.  
10. Insert the terminal **C91:49S** of harness 0600528 into position **49** of connector **C91**.



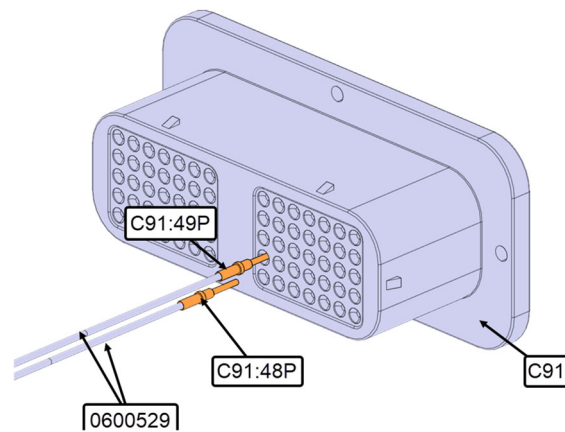
11. Locate the connector **C91** inside the batteries compartment.



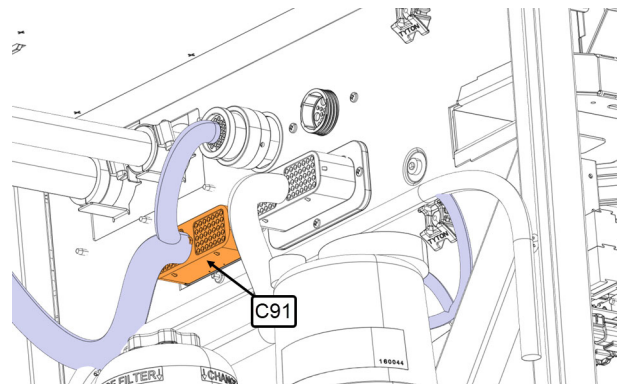
12. Remove the plugs (2x) from positions **48** and **49** from connector **C91**.



13. Insert the terminal **C91:48P** of harness 0600529 into position **48** of connector **C91**.  
14. Insert the terminal **C91:49P** of harness 0600529 into position **49** of connector **C91**.

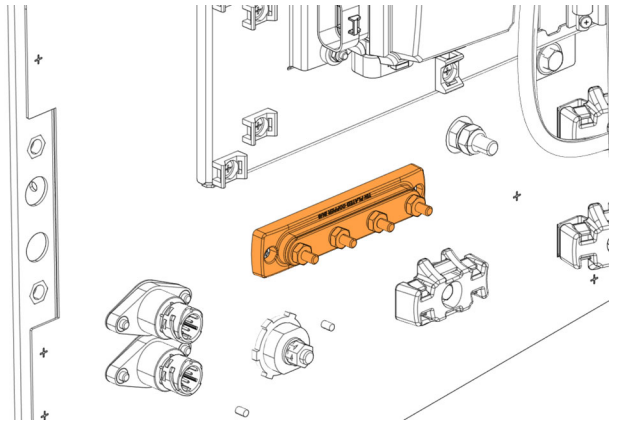


15. Reconnect the connector **C91**.

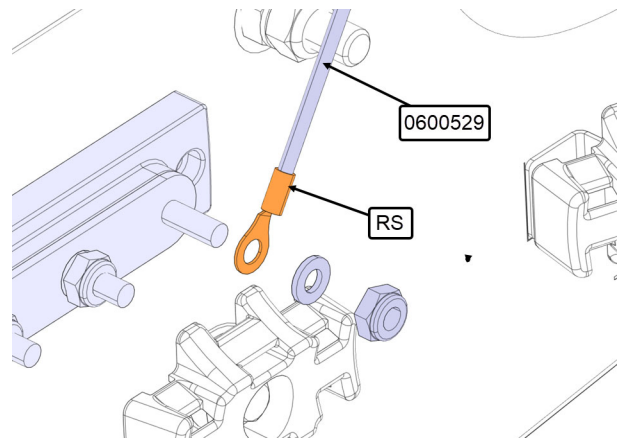




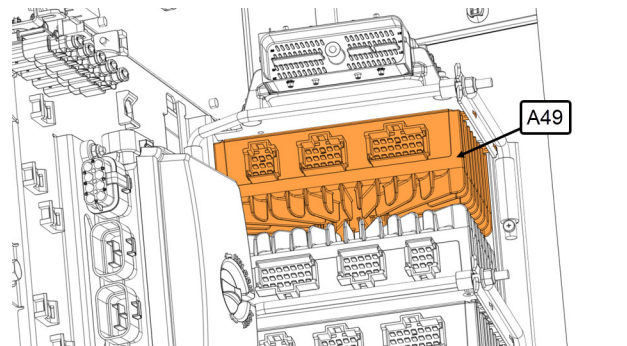
16. Locate the bus bar.



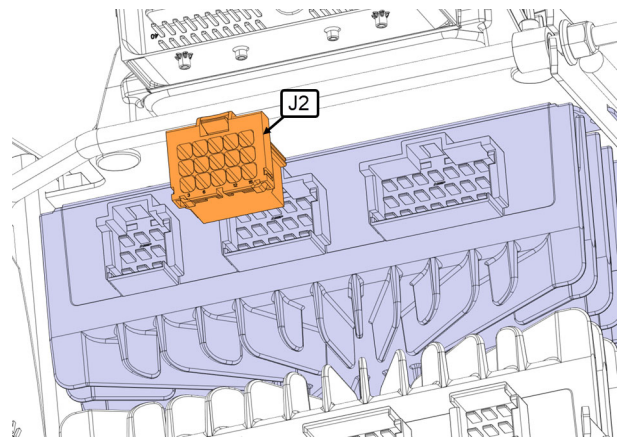
17. Connect the ring terminal **RS** of harness 0600529 to the bus bar.



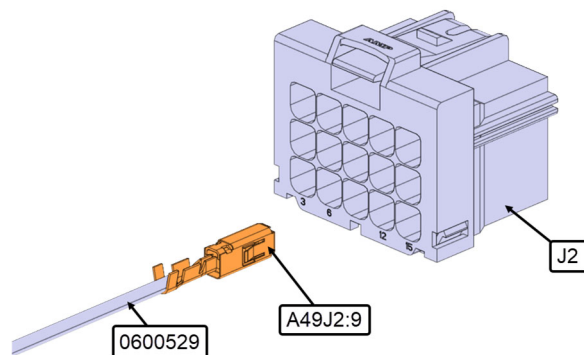
18. Locate module **A49**.



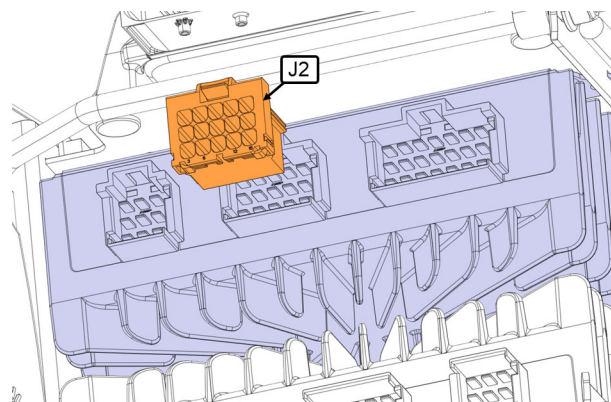
19. Disconnect connector **J2**.



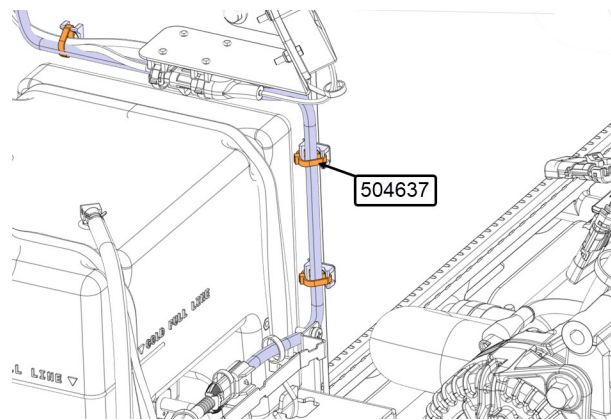
20. Insert the terminal **A49J2:9** of harness 0600529 into position **9** of connector **J2**.



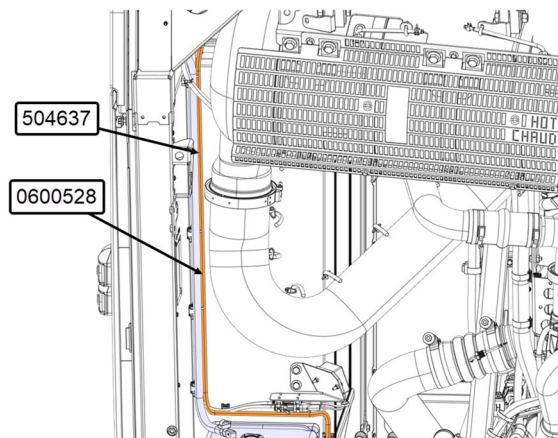
21. Reconnect connector **J2**.



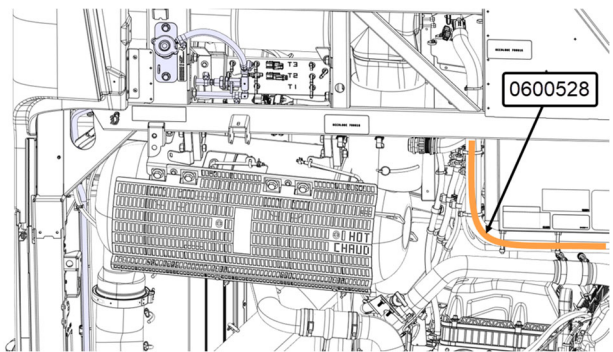
22. Secure the harness 0600528 with cable ties 504637 (4x).



23. Secure the harness 0600528 with cable ties 504637 (5x).

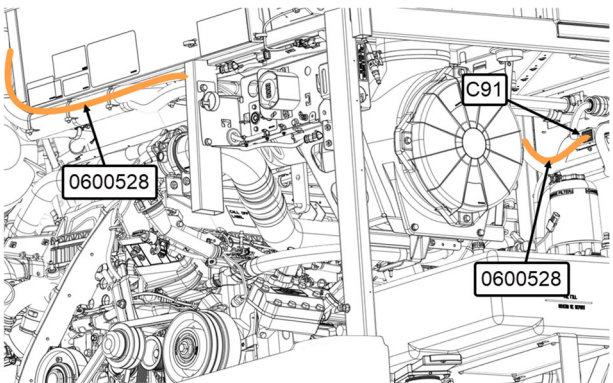


24. Secure the harness 0600528 with cable ties 504637 (10x).



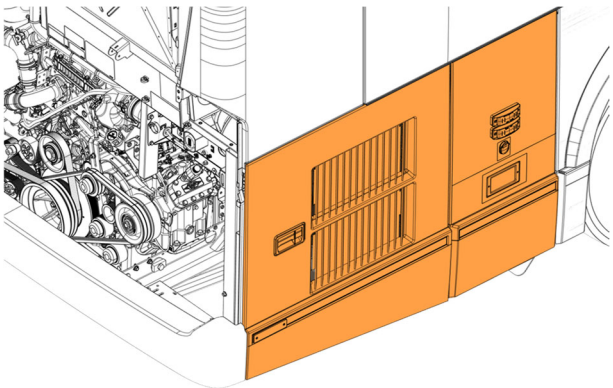
25. Secure the harness 0600528 with cable ties 504637 (10x).

26. Secure the harness 0600529 inside the batteries compartment with cable ties 504637 (5x).



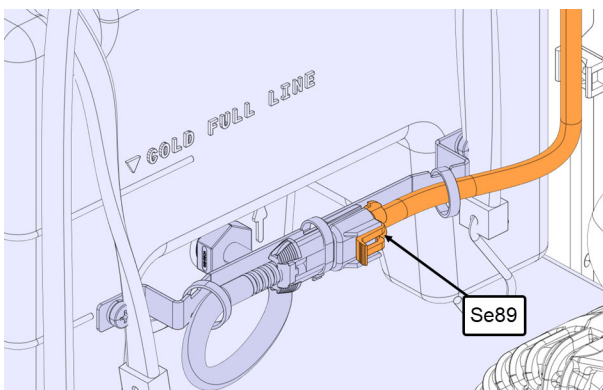
27. Close the compressor compartment door.

28. Close the batteries compartment door



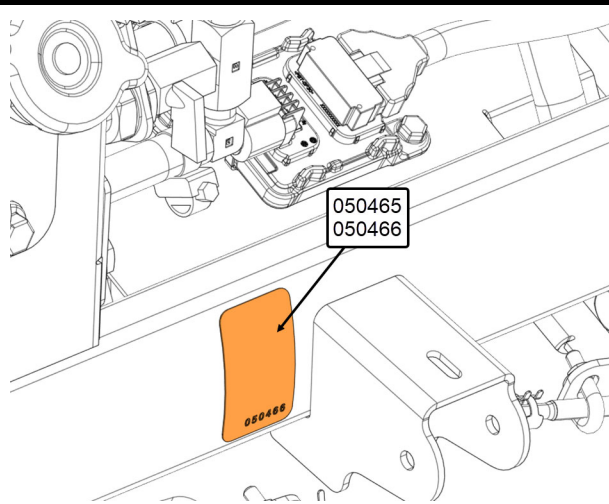
## FOR VEHICLES FROM K-0605 ONLY - CONNECT THE LEVEL SENSOR

1. Connect the recovery tank level sensor to connector **Se89** of the accessories harness.



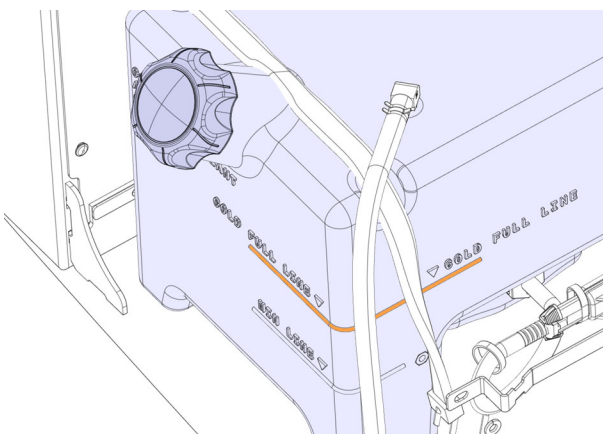
## INSTALL THE DECAL

1. Install the operation decal 050465 (English & French) or 050466 (English).



## FILLING THE RECOVERY TANK

1. Fill the f tank to the cold full line.  
Note: Adjust the coolant level with recommended **Final Charge Global Extended Life Coolant** premix (50/50 antifreeze and water mixture ratio).





## **PARTS / WASTE DISPOSAL**

Discard waste according to applicable environmental regulations (Municipal/State[Prov.]/ Federal)