

PREVOST

Instruction Sheet

IS-98076

INSTALLATION OF A REPLACEMENT WINDOW INSIDE A BAGGAGE COMPARTMENT

MATERIAL

Kit #29-3084 includes the following parts:

Part No.	Description	Qty
293087	Replacement window	1
293189	Window support	2
504114	Pop rivet	4
5001381	Screw	2
506004	Adhesive protector	1
293216	Sticker	1
IS-98076	Instruction Sheet	1
FI-98076	Feuille d'instructions	1

PROCEDURE

Warning: Park vehicle safely, apply parking brake, stop engine and set battery master switch(es) to the OFF position prior to working on the vehicle.

1. Open the second baggage compartment (figure 1).

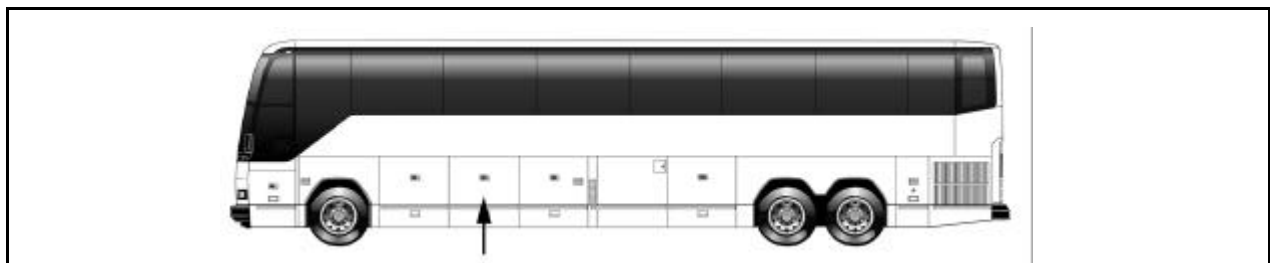


Figure 1: Typical location of the second baggage compartment.

2.0 To easily install #293189 window support (figure 2, item 2) inside the compartment, follow the two-step procedure:

2.1 Hinge-side installation of the window supports:

Note: *The hinges of the window supports go on the rear side of the compartment (see enlargement of figure 2).*

- Using a 3/16 in (5 mm) diameter drill bit, drill a hole in the vertical structure of the vehicle (see view A-A on figure 2), at 7 in (175 mm) from the compartment top.
- Align the upper hole of #293189 support with this opening.
- Using the window support as a template, drill a hole in the vertical structure of the vehicle in line with the lower opening of the support.
- Rivet the hinge-side of the window supports.

2.2 Installation of the window supports on the compartment opposite wall:

- Drill a 7/32 in (5.6 mm) diameter hole in the vertical structure of the vehicle (at 7 in (175 mm) from the top of the compartment), on the front side of the compartment.
- Fix the window supports using #5001381 screws.

3. To prevent scratching the replacement window, affix adhesive protector on the supports (figure 2, item 5) at 5 in (130 mm) from each compartment wall (see enlargement of figure 2).
4. Fit the replacement window (figure 2, item 1) on top of the supports following the procedure described on #293216 sticker.

Note: *To make sure the cylinders of the compartment door do not contact the replacement window, a 18 5/16 in (465 mm) distance must separate the window from the compartment edge (see view A-A of figure 2).*

5. Affix #293216 sticker (figure 2, item 6) inside the compartment. The arrow of the sticker must be placed at 18 5/16 in (175 mm) from the compartment edge.

Note: *To install the replacement window on the vehicle, refer to #293216 sticker.*

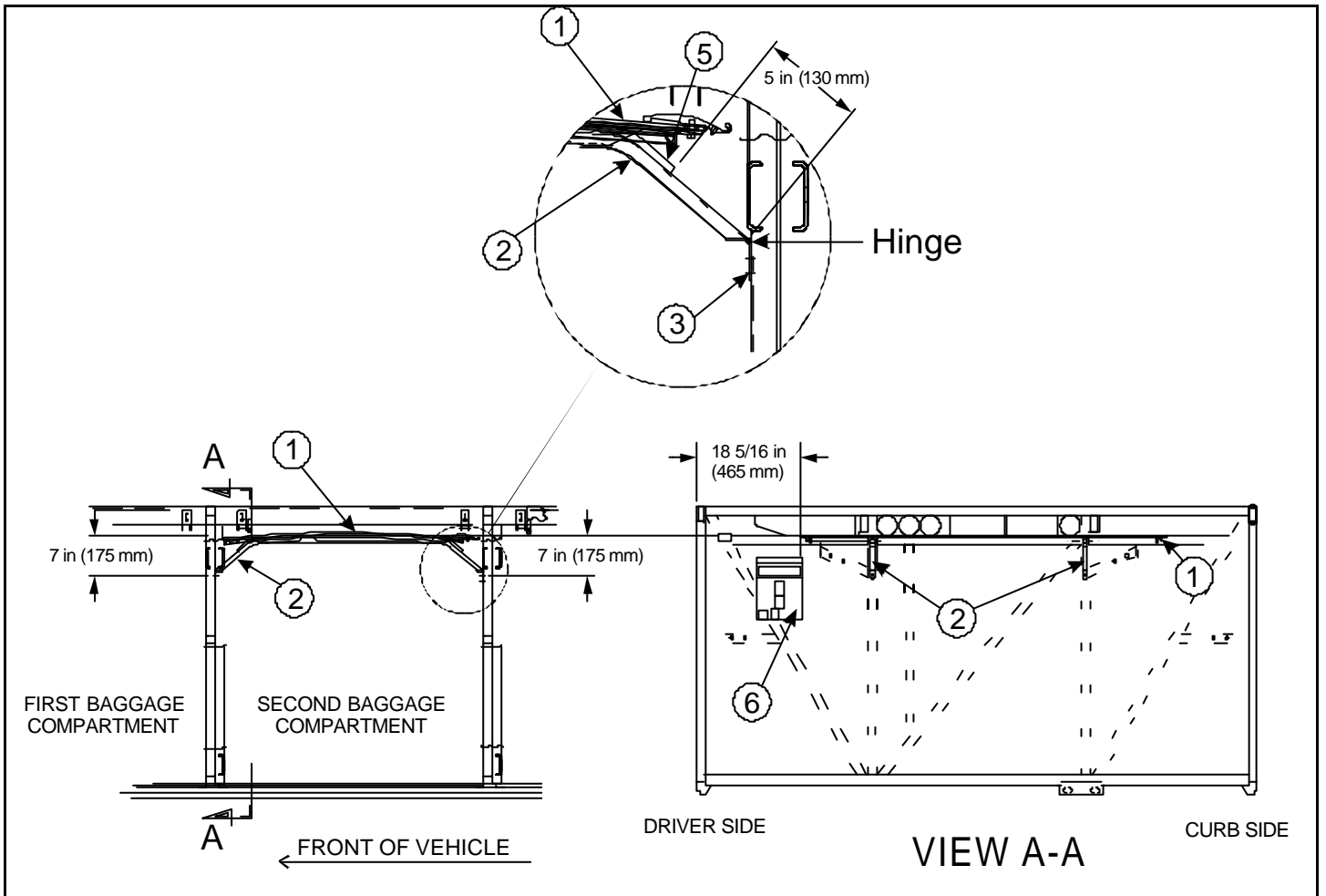


Figure 2: Installation of the replacement window. (1) #293087 Replacement window; (2) #293189 Window supports; (3) #504114 Pop Rivet; (4) #5001381 Screw; (5) #506004 Adhesive protector; (6) #293216 Sticker.