

PREVOST

Instruction Sheet

IS-98087

BACKUP CAMERA INSTALLATION

MATERIAL

Kit #490854 includes the following parts :

Part No.	Description	Qty
990303	Backup camera	1
680532	Sikaflex 221	1
504625	Grommet	1
IS-98087	Instruction Sheet	1
FI-98087	Feuille d'instructions	1

PROCEDURE

Warning : Park vehicle safely, apply parking brake, stop engine and set battery master switch(es) to the OFF position prior to working on the vehicle.

1. Remove the grommet and gently pull out the cable. Disconnect the camera.
2. Dismantle the existent camera. Keep the fasteners to mount the new camera.
3. Drill two 1/4" (7 mm) holes in the new camera's bracket as described in figure 1.
4. Mount the camera assembly as described in figure 2. Use the protection plate from the old camera.
5. Split the grommet and install on the camera cable. Connect the cables and insert into the vehicle's rear cap.
6. Fill the grommet with Sikaflex 221. Spread some more around grommet's perimeter to ensure good watertightness.

Note : Ensure all surfaces in contact with Sikaflex 221 are clean and free of grease.

7. Adjust camera angle to see the edge of the rear bumper.

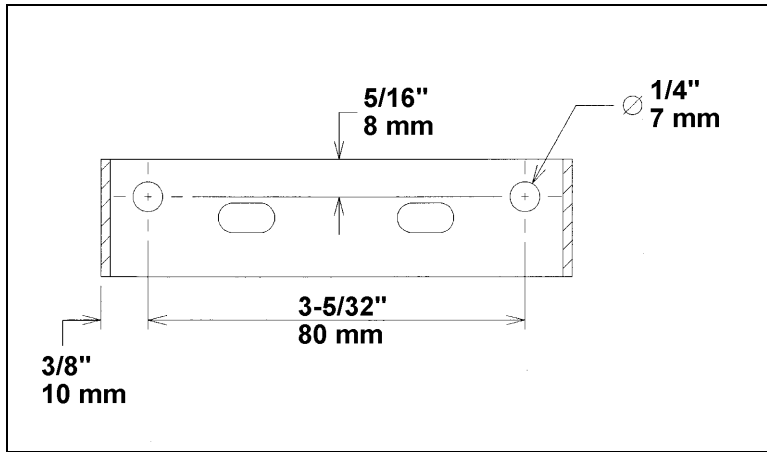


FIGURE 1 : CAMERA SUPPORT BRACKET

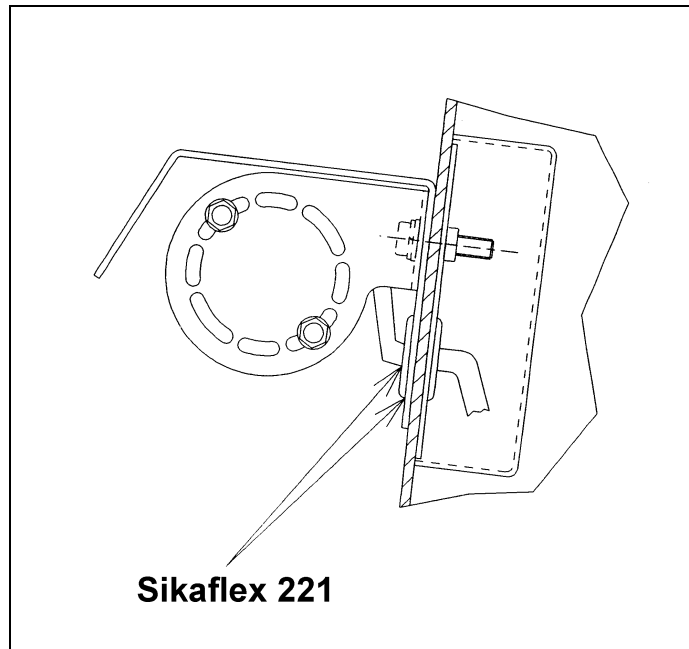


FIGURE 2 : SECTIONAL VIEW OF CAMERA ASSEMBLY