

PREVOST

Instruction Sheet

IS-99089

REPLACEMENT OF “DOUBLE DROP” RIGID FRONT AXLE WITH “SINGLE-DROP” AXLE FOR H3 SERIES COACHES

MATERIAL

Kit #110750 includes the following parts :

Part No.	Description	Qty
110741	Damper Support	1
110749	Back Plate	1
172513	Height Control Valve Support	1
5001500	Screw Cap Hex ZP M10 x 120 G8.8 PT	4
500444	Washer FL ZP .406 x .812 x .065	8
500680	Nut Hex Stover ZP M10 x 1.5	4
500811	Nut Hex Stover ZP M12 x 1.75	1
502731	Screw Cap Hex ZP M12 x 40 G8.8	1
630229	Height Control Valve Link Rod	1
IS-99089	Instruction Sheet	1
FI-99089	Feuille d'instructions	1

Note: In addition to kit #110750, you should have ordered axle beam assembly #611453 if you need to replace the whole axle beam assembly, or single axle beam #611454 if you need to replace only the axle beam.

Warning : Park vehicle safely, apply parking brake, stop engine and set battery master switch(es) to the OFF position prior to working on the vehicle.

REMOVAL

1. Raise the vehicle by its jacking points on the body (see Section 18, “Body” under heading 16; Vehicle Jacking Points) until vehicle body is approximately 20 inches (508 mm) from the floor. Place jack stands under frame. Remove the wheels (if required, refer to Section 13, “Wheels, Hubs and Tires” under heading 2.1; Removal).

Caution : Use only the recommended jacking points as outlined in section 18 “BODY”.

2. Exhaust compressed air from the air supply system by opening the drain valve of each reservoir.
3. Install jacks under axle jacking points to support the axle weight.

Warning : To help prevent injury caused by the axle rolling off the jacks, these should be equipped with U-adapters, or similar precautions must be taken.

4. Disconnect the steering drag link from the steering arm.
5. Remove the ABS sensors from their location in hubs (if applicable).
6. Disconnect the height control valve link from its support on the axle.
7. Disconnect air lines from front brake chambers, and cover line ends and fittings to prevent the entry of foreign matter.

Caution: Position the air lines and electric wires so they will not be damaged while removing the front axle assembly.

8. Proceed with steps a, b and c, while referring to Section 16: "SUSPENSION".
 - a) Disconnect sway bar links from axle brackets.
 - b) Remove shock absorbers.
 - c) Disconnect five radius rods: one transversal and two longitudinal from subframe, and two upper rods from axle.
9. Remove the bolts and nuts fixing the axle to the left-hand and right-hand side air bellows mounting supports.
10. Using the jacks, slowly lower the axle assembly, and carefully pull away from underneath vehicle.

INSTALLATION

Reverse front axle "Removal" procedure. Ensure cleanliness of air bellows support mounting plates.

Note : Refer to Section 16, "SUSPENSION", Section 14, "Steering" and to paragraph 8 "Specifications" at the end of section 10 for applicable checks and recommended tightening torques.

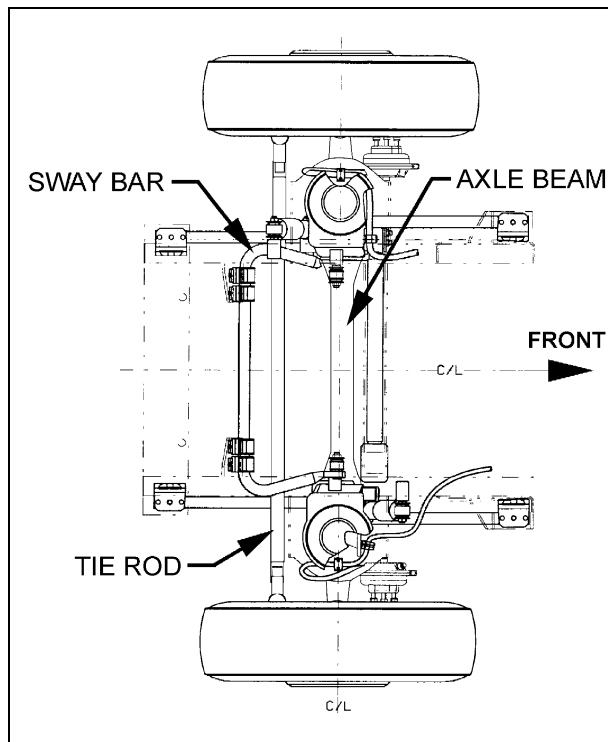


FIGURE 1: TOP VIEW OF H3 SERIES FRONT AXLE

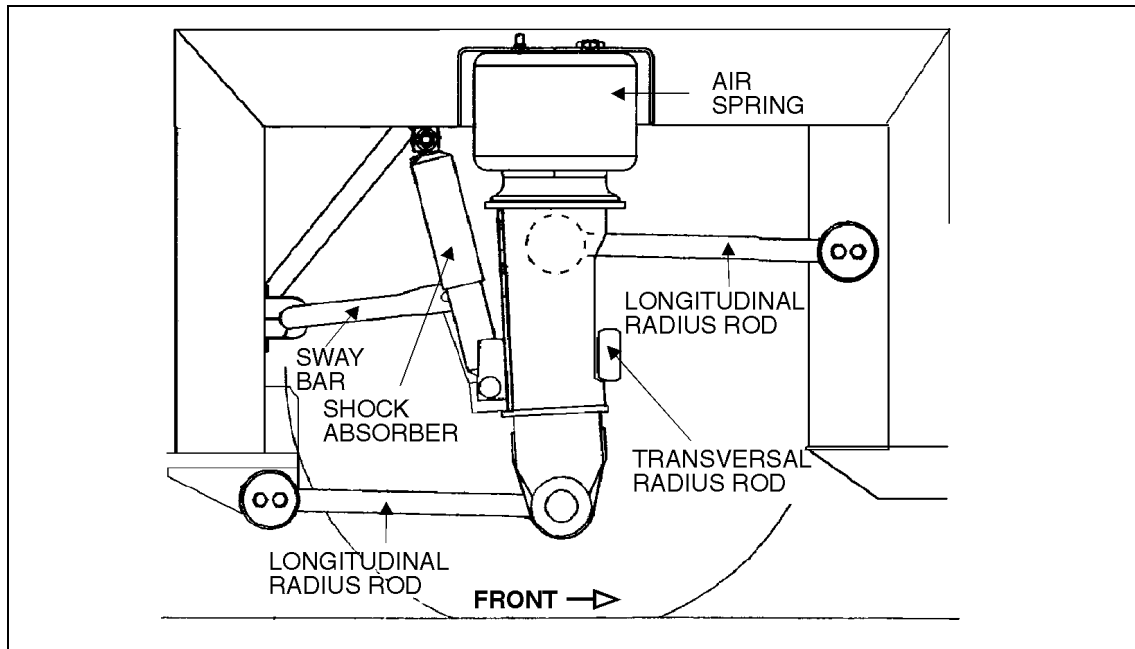


FIGURE 2: H3 SERIES COACHES FRONT SUSPENSION COMPONENTS

Fasten damper to its support (Prévoist #110741) and to back plate (Prévoist #110749) using cap screws (#5001500), washers (#500444) and nuts (#500680), refer to figure 3.

Remove existing height control valve support (#172085), grind contact surfaces then weld height control valve support (#172513) referring to figure 5 for location. Install link rod (#630229).

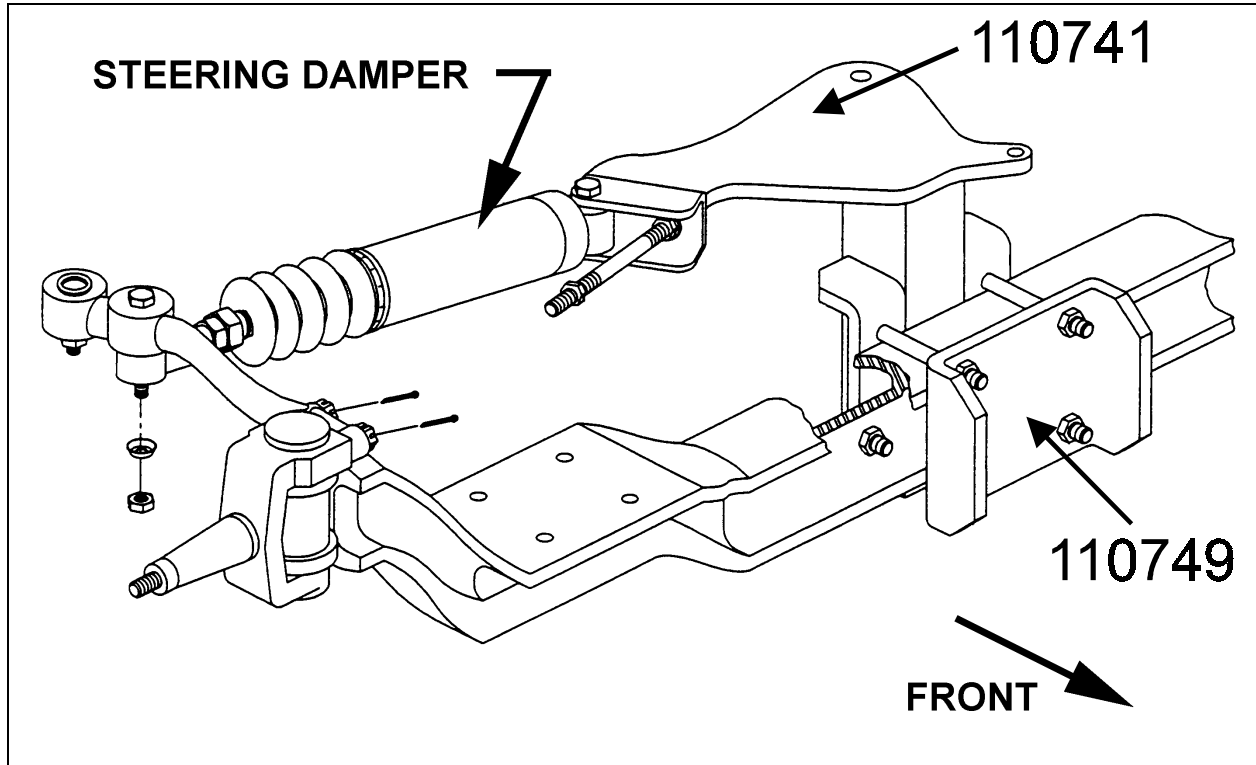


FIGURE 3: STEERING DAMPER SUPPORT

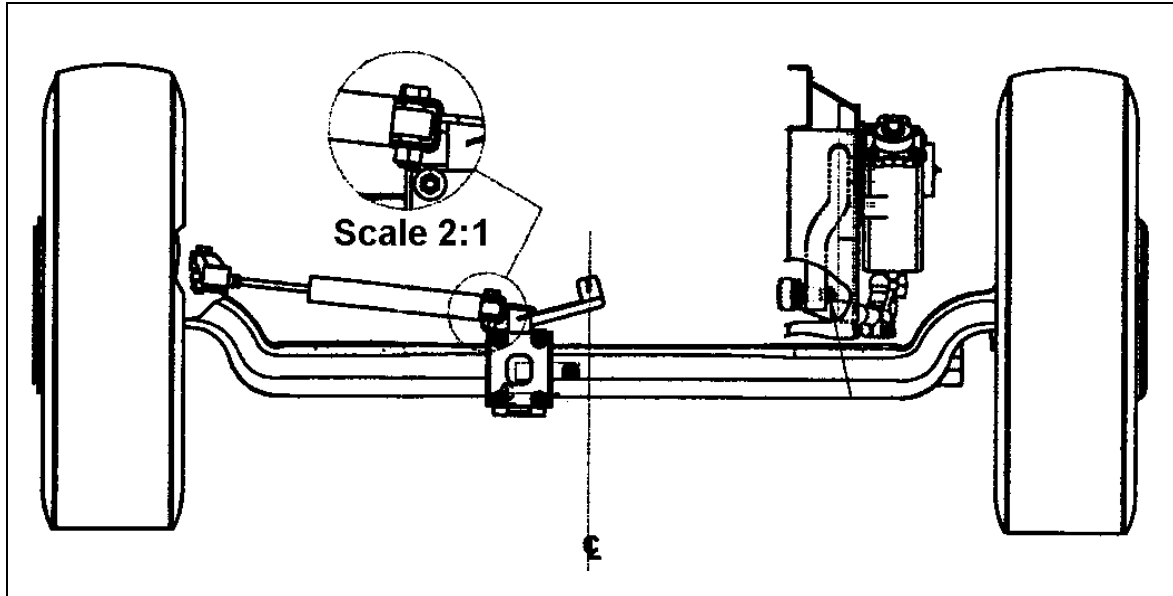


FIGURE 4: FRONT VIEW OF H3 SERIES COACHES "SINGLE DROP" FRONT AXLE

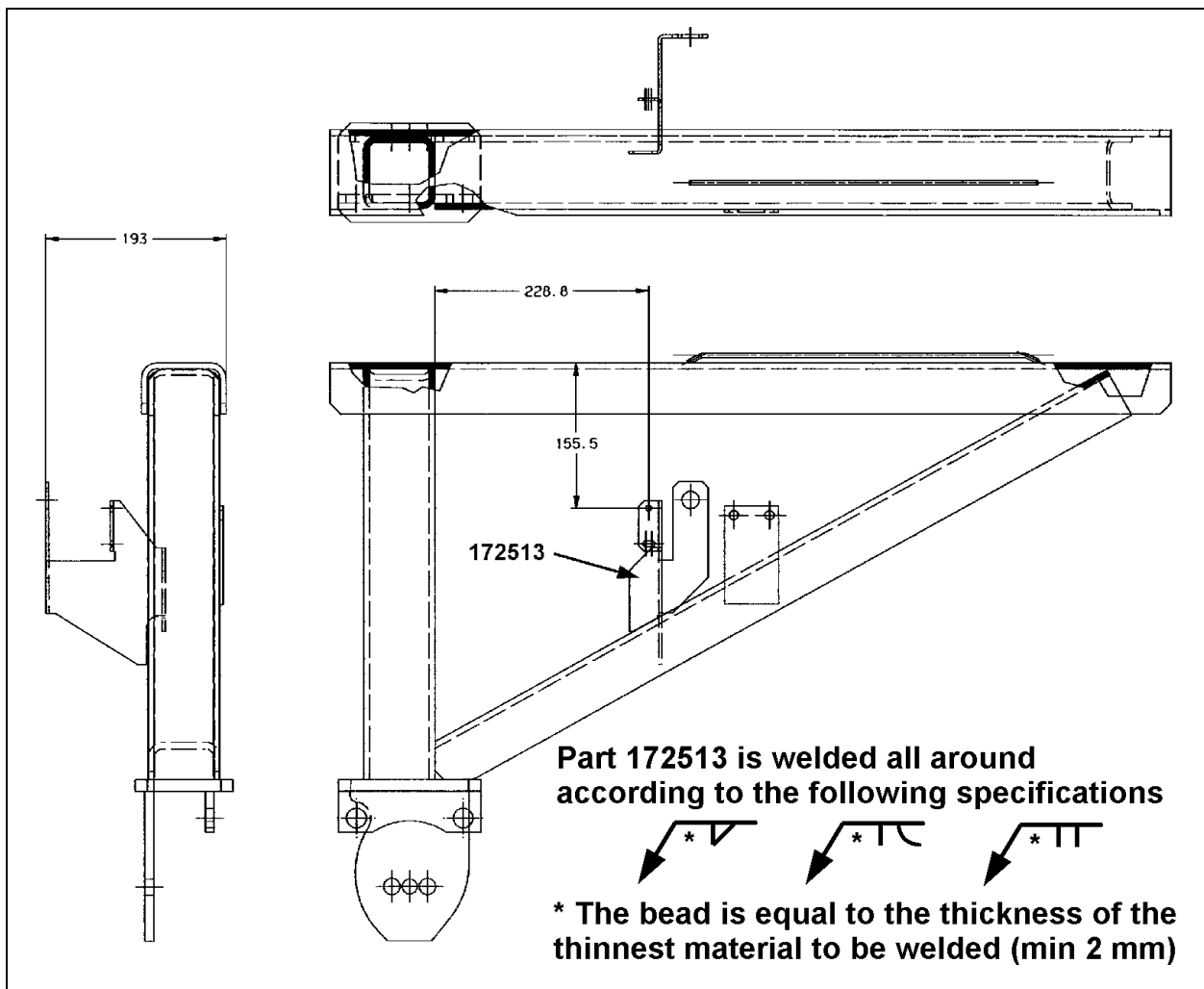


FIGURE 5: INSTALLATION OF HEIGHT CONTROL VALVE 172513