

PREVOST

ENREGISTRÉ - REGISTERED
ISO 9001 & ISO 14001

MAINTENANCE INFORMATION

Mi00-13



DATE : DECEMBER 2000	SECTION : 23 - Accessories
SUBJECT : SUMP TANK DRAIN VALVE	

APPLICATION

Model	VIN
H3-41 and H3-45 Coaches Model Year : 1996 - 2001	From 2PCH33493T1011572 up to 2PCH3349811014190 incl.
XL and XLII series Coaches Model Year : 1996 - 2001	From 2PCM33499T1025930 up to 2PCX3349X11027549 incl.

DESCRIPTION

A new sump tank drain valve providing trouble-free operation is available for installation in place of the existent valve.

MATERIAL

Part No.	Description	Qty
404948P	Sump tank drain valve assembly	1
404972	Coupling flange	1

Note : Material can be obtained through regular channels.

PROCEDURE

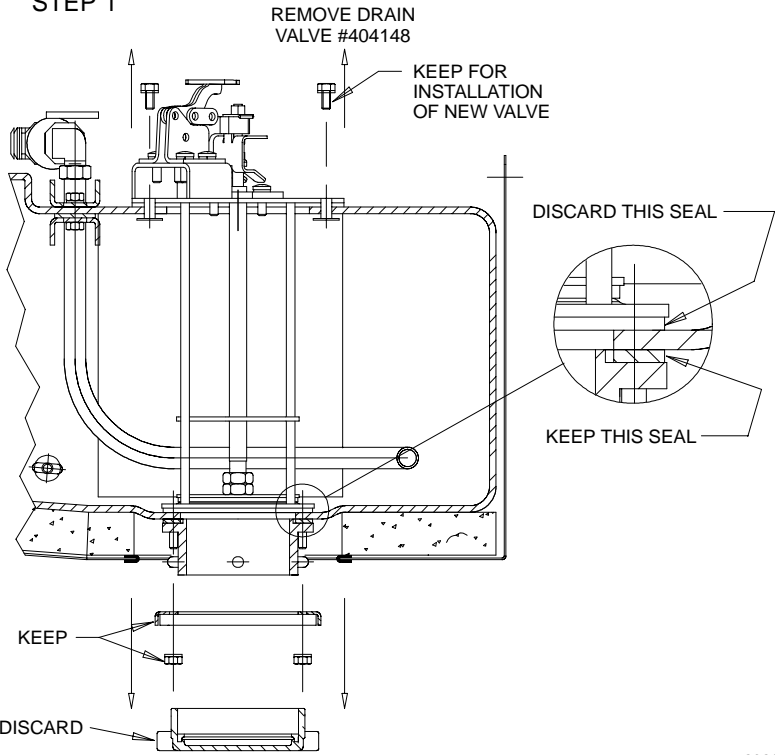
Warning : Park vehicle safely, apply parking brake, stop engine and set battery master switch(es) to the OFF position prior to working on the vehicle.

1. Flush and clean out the sump tank;
2. Install new drain valve as illustrated in steps 1 to 4;
3. Fill sump tank as per instructions in the Maintenance Manual.

Waste disposal :

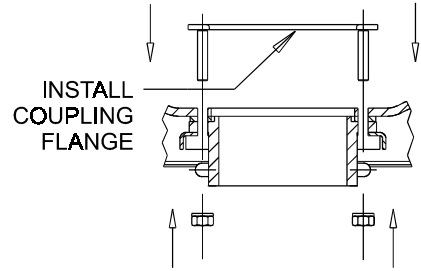
Discard according to applicable environmental regulations (Municipal/State[Prov.]/ Federal)

STEP 1



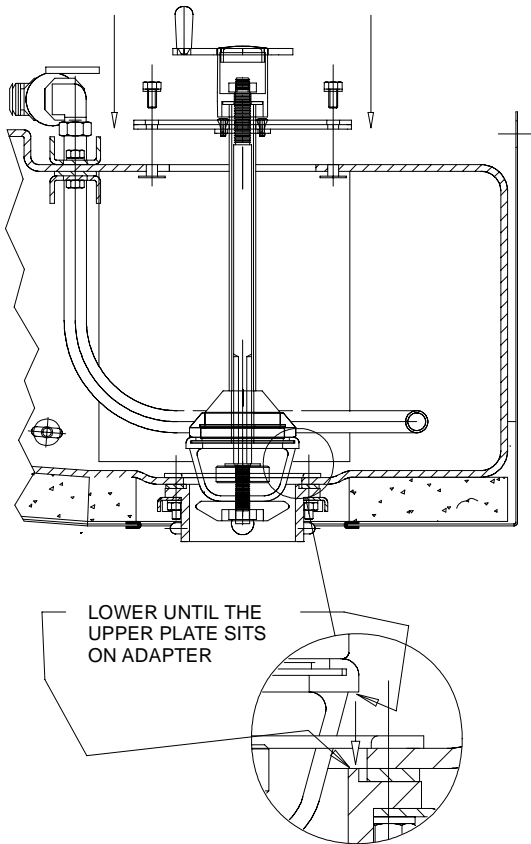
23269

STEP 2



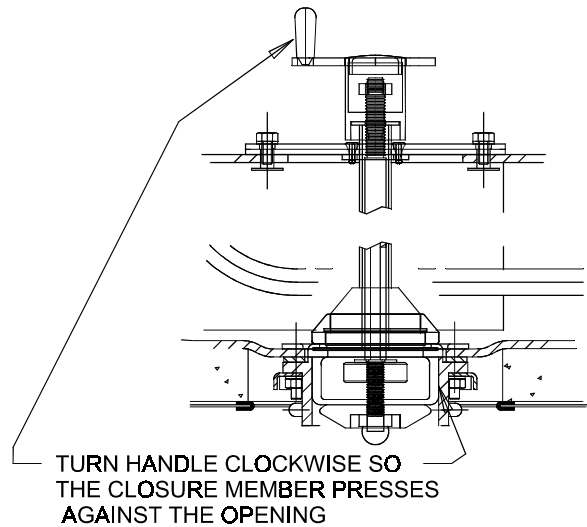
23270

STEP 3 — INSTALL VALVE #404948



23271

STEP 4



23272