



PREVOST

ENREGISTRÉ - REGISTERED
ISO 9001 & ISO 14001

MAINTENANCE INFORMATION Mi00-23



DATE : August 2000	SECTION : 23 - Accessories
SUBJECT : INSTALLATION OF BOSCH WIPER ARM	

APPLICATION

Model
XLII-45 Coach Model Year : 2000 up
XLII-45 Bus Shell Model Year : 2000 up

DESCRIPTION

This maintenance information explains how to install Bosch wiper arms. Installation of the arm is done by inserting the splined shaft into the zinc bore, then tightening the nut so that the shaft forms splines in the soft bore, thus assuring rotation of the arm.

MATERIAL

Part No.	Description	Qty
800331	Bosch wiper arm (driver side or right side)	1

Note : Material can be obtained through regular channels.

Note: When installing a wiper motor, arm or blade, follow recommended procedures to prevent misalignment, binding or malfunction. Check the windshield washer liquid hoses, fittings and connectors to be sure they are properly connected and seal with no restriction to the flow of washer liquid. Check that wiper arms have the proper sweep position and the washer nozzles are aimed so that spray is within the proper wiper pattern.

Caution: Do not attempt to manually move the wiper arms to make wiper blade sweep adjustments as damage to the wiper linkage or motor may occur. If it is necessary to adjust the sweep of blades, remove the arms and make adjustment by positioning the arms using serration on the wiper arm pivot shafts.

PROCEDURE

Warning : Park vehicle safely, apply parking brake, stop engine and set battery master switch(es) to the OFF position prior to working on the vehicle.

1. Install the wiper arm and position as shown in figure 1.
2. Before fixing the wiper at its final position, tighten the nut to 9 lbf-ft (12 Nm) at first.

3. To find the final position of the wiper arm, lift then release the wiper arm so it falls back on the windshield.
4. When the final position is found, tighten the wiper arm nut to 18 lbf-ft (25 Nm). **Wait 30 minutes and tighten again to 18 lbf-ft.**
5. Install the windshield washer tubing, wiper blade and washer nozzle as shown in figures 2 & 3.
6. Connect the windshield washer tubing at the base of the wiper arm.
7. Check the adjustment on a wet windshield.

Note : When removing the wiper arm, proceed with care to avoid damaging the splines formed in the zinc bore. If the splines are damaged, remove the burrs and reform splines following steps 1 to 4.

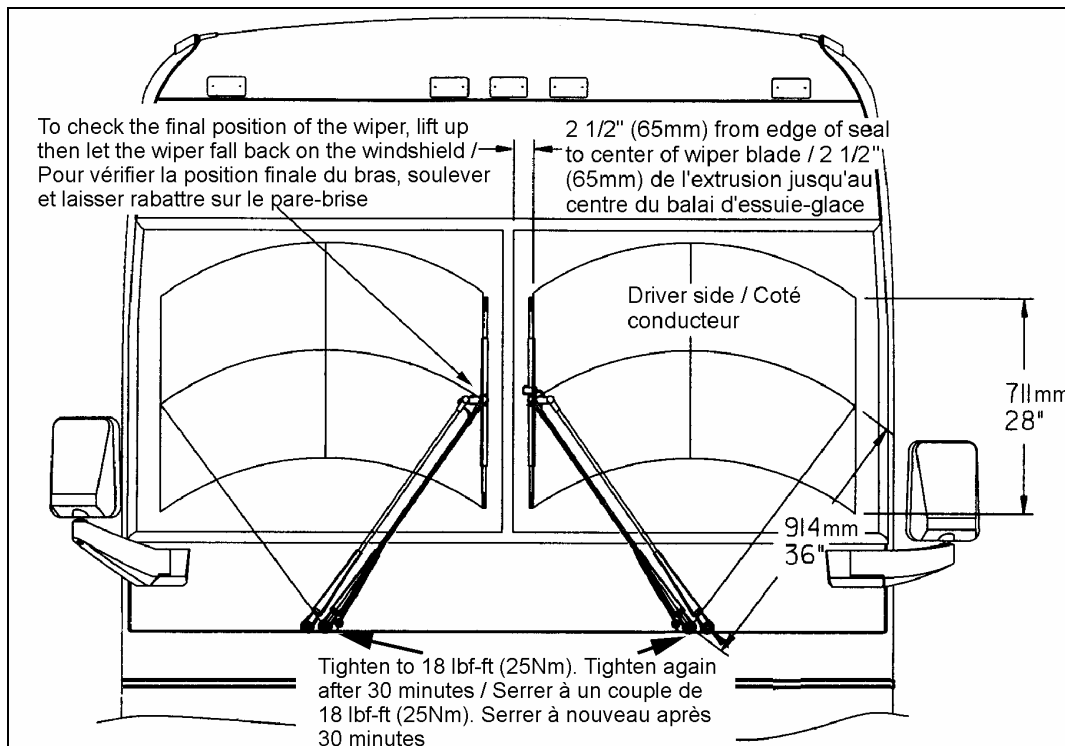


FIGURE 1 : WIPER ARMS POSITIONING

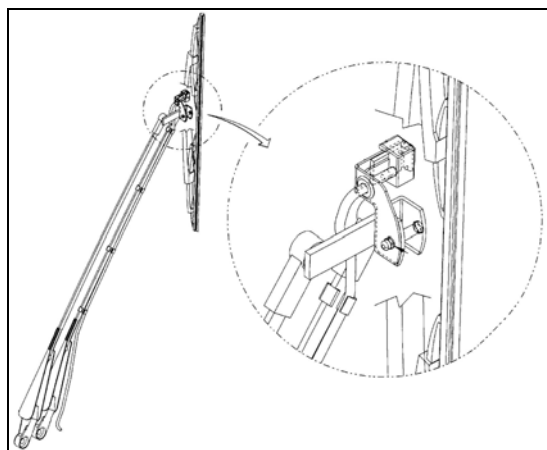


FIGURE 2 : WINDSHIELD WIPER (DRIVER SIDE)

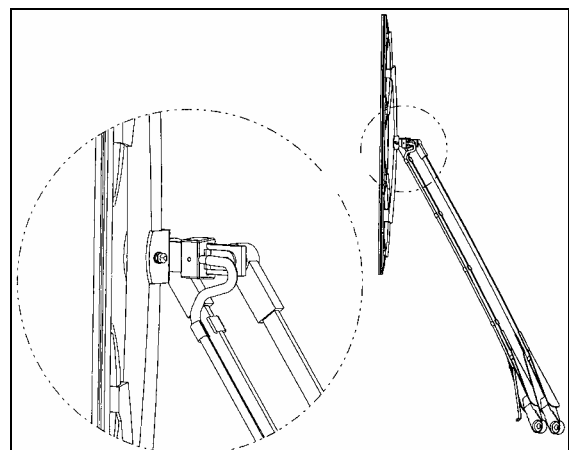


FIGURE 3 : WINDSHIELD WIPER (RIGHT SIDE)