

PREVOST

ENREGISTRÉ - REGISTERED
ISO 9001 & ISO 14001

MAINTENANCE INFORMATION Mi04-12



DATE : August 2004	SECTION : 12 - Brakes
SUBJECT : VARIOUS TYPES OF AIR DRYER	

Important Notice: This modification is recommended by Prévost Car to increase your vehicle's performance. Note that no reimbursement will be awarded for carrying out this modification.

APPLICATION

Model	VIN
XL Vehicles Model Year : 1984 - 2000	From 2P9L33406E1001638 up to 2PCL33493Y1027045
XL2 Vehicles Model Year : 2000 - 2005	From 2PCW33496Y1026856 up to now
H Vehicles Model Year : 1988 - 2005	From 2P9H33468J1001001 up to now

DESCRIPTION

Various types of air dryer have been installed on the above-mentioned vehicles over the years to remove the moisture present in the air system. The air dryer also filters the air to remove dirt, oil and other contaminants that can damage the system. This maintenance information resumes the different types used, their location as well as the parts required. Change AD-2 air dryer desiccant cartridge every year. Change all other dryers desiccant cartridge every 100,000 miles (160 000 km) or once every two years, whichever comes first.

PROCEDURE

⚠ WARNING ⚠

Park vehicle safely, apply parking brake, stop engine and set battery master switch(es) to the OFF position prior to working on the vehicle.

Waste disposal:

Discard according to applicable environmental regulations (Municipal/State[Prov.]/ Federal)

AIR DRYER (AD-2)

APPLICATION

XL Vehicles: E-1638 up to R-1823

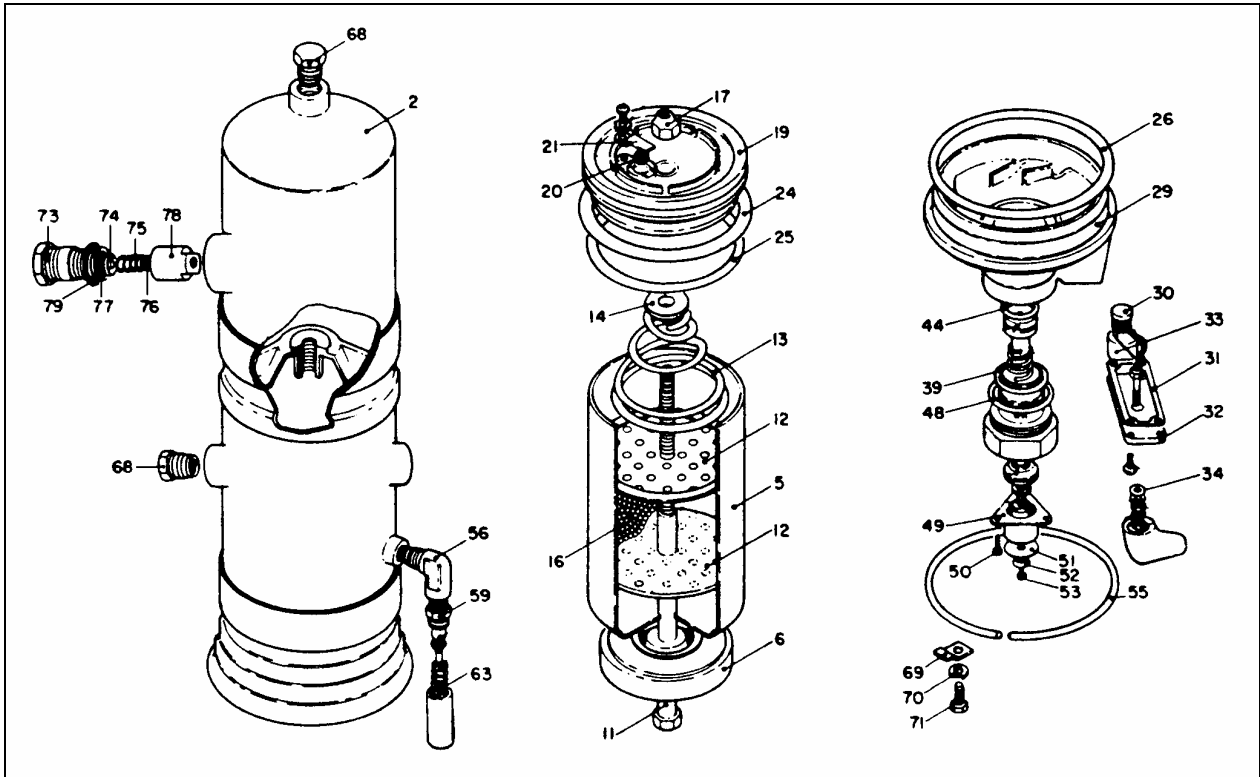


FIGURE 1: AD-2 AIR DRYER

12155

Air dryer is located between the drive axle and the tag axle (Figure 1).

Maintenance and repair information on the air dryer are supplied in section 12 of Maintenance Manual.

Air dryer

Make..... Bendix Westinghouse
 Model..... AD-2
 Prévost number..... 640908
 Desiccant cartridge kit Prévost number..... 640935

AIR DRYER (AD-4)

APPLICATION

H5-60 Vehicles: J-1001 up to N-1214

H3-40 Vehicles: L-1031 up to P-1315

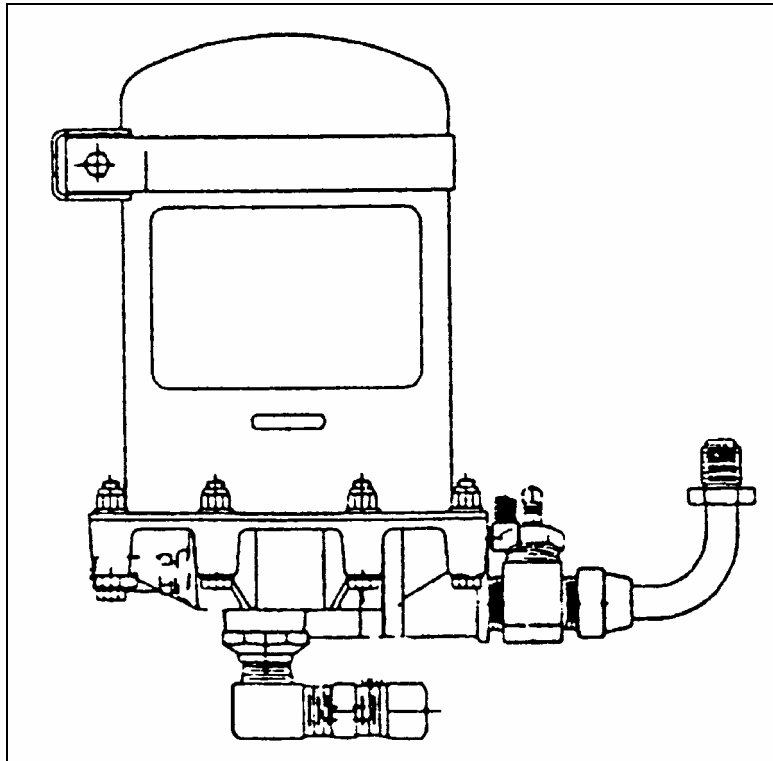


FIGURE 2: AD-4 AIR DRYER

12155

Maintenance and repair information on the air dryer are supplied in the application booklet annexed to section 12 of Maintenance Manual under reference number SD-08-4. Air dryer is mounted on the rear subframe right over the drive axle (Figure 2).

Air dryer

Make.....	Bendix Westinghouse
Model.....	AD-4
Heater consumption	120 watts
Supplier number	103386
Prévost number	641138
Desiccant cartridge kit supplier number	103981
Desiccant cartridge kit Prévost number.....	641139

AIR DRYER (SYSTEM SAVER 1000)

APPLICATION

XL Vehicles: S-1524 up to W-6315

XL2 Vehicles: Y-7046 up to 2-7799

H3-41 and H3-45 Vehicles: R-1012 up to V-2028

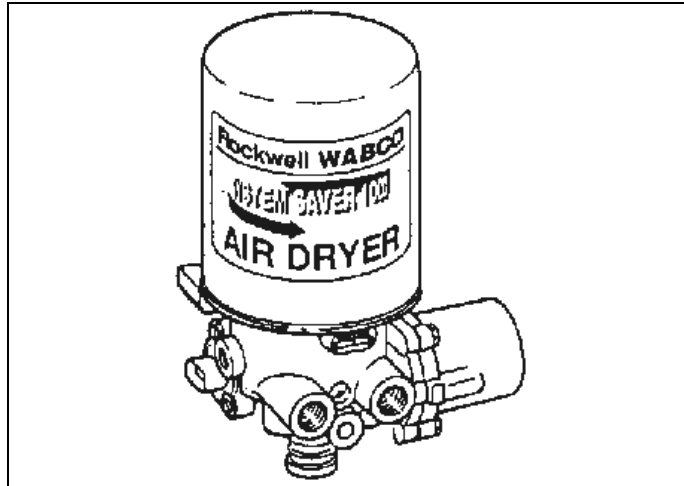


FIGURE 3: WABCO 1000 AIR DRYER

12209

This air dryer is located above R.H. wheel of drive axle (Fig. 3).

Maintenance and repair information on this air dryer are supplied in the applicable booklet annexed to section 12 of Maintenance Manual under reference "Maintenance manual 4CC".

Air dryer

Make..... Rockwell Wabco
 Model..... System Saver 1000
 Heater consumption 100 watts
 Prévost number641277
 Desiccant cartridge kit supplier number R950011
 Desiccant cartridge kit Prévost number.....641278

AIR DRYER (SYSTEM SAVER 1200)

APPLICATION

XL2 Vehicles: 3-7993 up to 3-8164

H3-41 and H3-45 Vehicles: W-3321 up to Y-3374

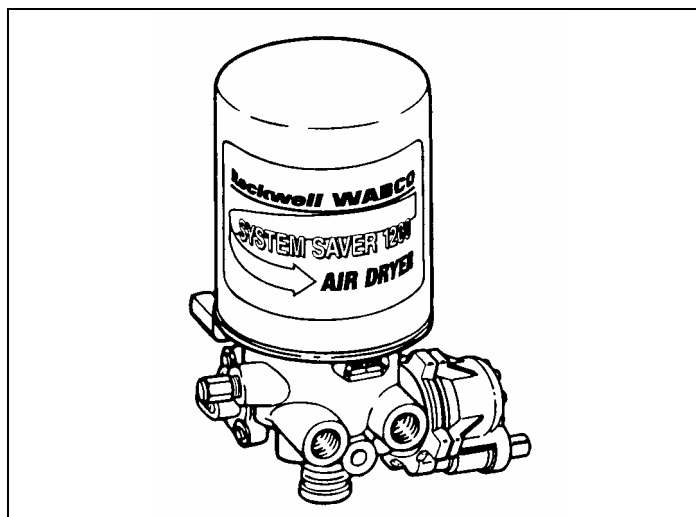


FIGURE 4: WABCO 1200 AIR DRYER

12152

The air filter/dryer is located in front of rear subframe above drive axle (Fig. 4). The air dryer may be purged for maintenance purposes using the remote drain valve located in the engine compartment and accessible through the engine compartment R.H. side door. The valve is positioned over the battery assembly, close to the door hinge or close to the L.H. side of door opening depending on type of vehicle.

Maintenance and repair information on the air dryer are supplied in the applicable booklet annexed to section 12 of the Maintenance Manual under reference "Maintenance Manual No 34".

Air dryer

Make..... Rockwell Wabco
 Model..... System Saver 1200
 Heater consumption 100 watts
 Supplier number RWABK-095
 Prévost number641337
 Desiccant cartridge kit supplier number R950011
 Desiccant cartridge kit Prévost number.....641278

AIR DRYER (AD-9)

APPLICATION

XL Vehicles: P-1722 up to S-1523 and from W-6316 up to the end

XL2 Vehicles: Y-7046 up to 2-7799

H3-41 and H3-45 Vehicles: V-2029 up to 2-4349 and from 3-4581 up to 3-4757

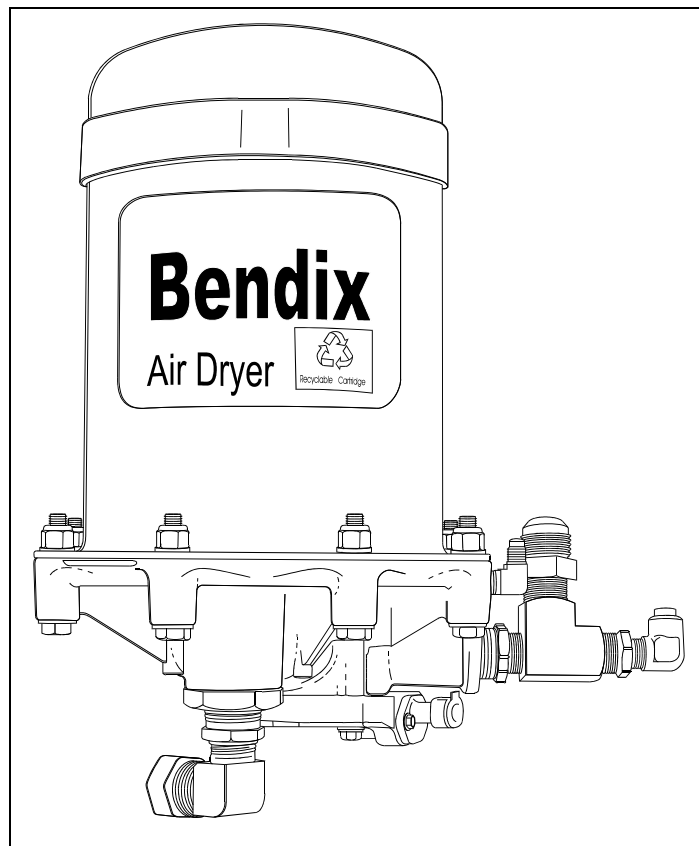


FIGURE 5: BENDIX AD-9 AIR DRYER

12136

The air filter/dryer is located in front of rear subframe above drive axle (Fig. 5).

Maintenance and repair information are supplied in the applicable booklet annexed to section 12 of Maintenance Manual under reference "Service Data Sheet SD-08-2412."

Air dryer

Make..... Bendix Westinghouse
Model..... AD-9
Heater consumption 100 watts
Supplier number 108229
Prévost number 641243
Desiccant cartridge kit supplier number 107796
Desiccant cartridge kit Prévost number..... 641244

HALDEX AIR DRYER

1ST VERSION OF AIR DRYER

Make..... Haldex
Model..... AT-87192
Prévost number 70303498
Desiccant cartridge Prévost number 3097369

APPLICATION

XL2 Vehicles: 2-7800 up to 3-7992 and from 4-8165 up to 4-8435

H3-41 and H3-45 Vehicles: 3-4417 up to 3-4580 and from 4-4758 up to 4-4981

APPLICATION FOR SERVICE KIT #642001

XL2 Vehicles: 2-7743 and from 2-7800 up to 3-7992

H3-41 and H3-45 Vehicles: 2-4329 and from 2-4350 up to 3-4581 and also 3-4697

2ND VERSION OF AIR DRYER

Make..... Haldex
Model..... AT-91787
Prévost number 642016
Desiccant cartridge Prévost number 3097369

APPLICATION

XL2 Vehicles: From 4-8436 up to now

H3-41 and H3-45 Vehicles: From 4-4982 up to now

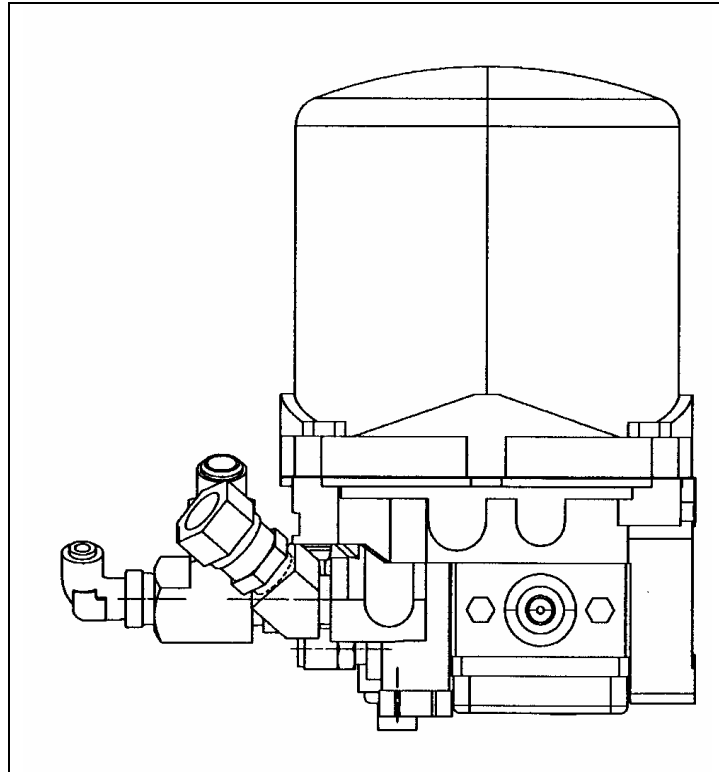


FIGURE 6: HALDEX AIR DRYER

12194

The air filter/dryer is located in front of rear subframe above drive axle (Fig. 6). The air dryer may be purged for maintenance purposes using the remote drain valve located in the engine compartment and accessible through the engine compartment R.H. side door. The valve is positioned close to the door hinge. The air filter/dryer has a built-in governor to maintain the system between a minimum and a maximum value.

Maintenance and repair information is supplied in the applicable booklet annexed to section 12 of Maintenance Manual.

Air filter/dryer purge tank

A tank is supplied to purge the air filter/dryer to remove moisture and contaminants.