

PREVOST

ENREGISTRÉ - REGISTERED
ISO 9001 & ISO 14001

MAINTENANCE INFORMATION Mi07-09




DATE: OCTOBER 2007	SECTION: 16 - Suspension
SUBJECT: RADIUS ROD SUPPORT NEW TIGHTENING TORQUE	

IMPORTANT NOTICE

This modification is recommended by Prevost Car to increase your vehicle's performance. Note that no reimbursement will be awarded for carrying out this modification.


APPLICATION

Model	VIN	
H3-45 Coaches VIP-45 MTH Model Year : 1994 - 2007	From 2P9H33495 <u>R1001012</u> up to 2PCH33498 <u>C710903</u> incl.	
X3-45 Coaches Model Year : 2007 - 2008	From 2PCG33494 <u>71028754</u> up to 2PCG33496 <u>8C729186</u> incl.	
XLII MTH XLII Entertainer Model Year : 2000 - 2008	From 2PCW33499 <u>Y1027046</u> up to 2PCY33492 <u>8C729187</u> incl.	

DESCRIPTION

On the above-mentioned vehicles, radius rod support tightening torque was changed from 185 lbf-ft to 225 lbf-ft (250 Nm to 305 Nm). Hex. Stover nut M16-20 part #500781 must be replaced with hex. nylon insert nut M16-20 part #5001662.

MATERIAL

Part No	Description	Identification	Qty
5001662	Nut, Hex Nylon Insert ZP M16-20		AR
680064	Oil, Corrosion Preventing Grey 20 liters		AR

NOTE

Material can be obtained through regular channels.

PROCEDURE



DANGER

Park vehicle safely, apply parking brake, stop engine and set battery master switch(es) to the OFF position prior to working on the vehicle.

1. Raise the vehicle using the frame jacking points.
2. Locate each nut to be replaced (Refer to figures 1 to 7).
3. Replace each nut one at a time to avoid readjustment or alignment.
4. Torque nut to 225 lbf-ft (305 Nm) (dry) then apply corrosion preventing oil (680064).

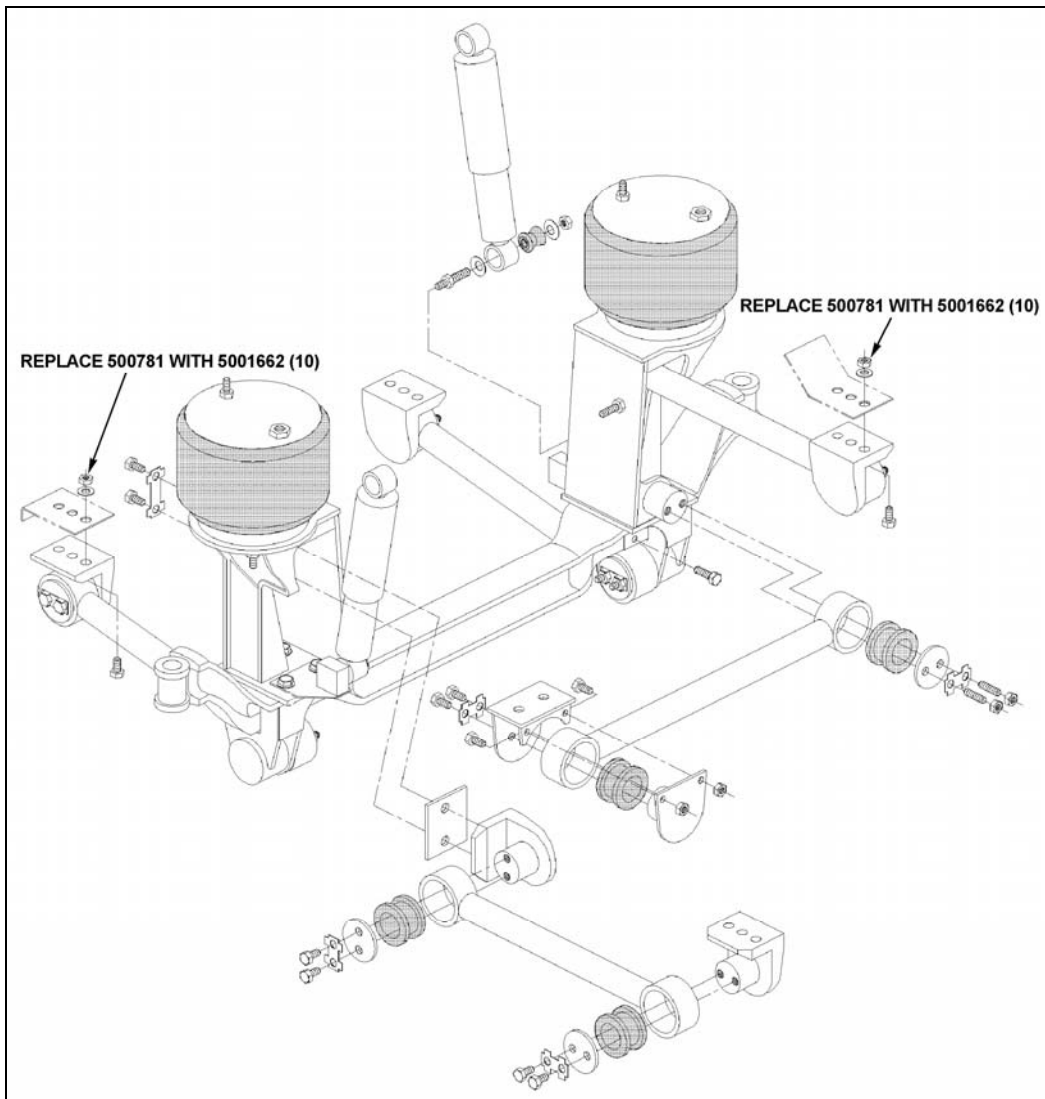


FIGURE 1: H3 VEHICLES I-BEAM FRONT AXLE

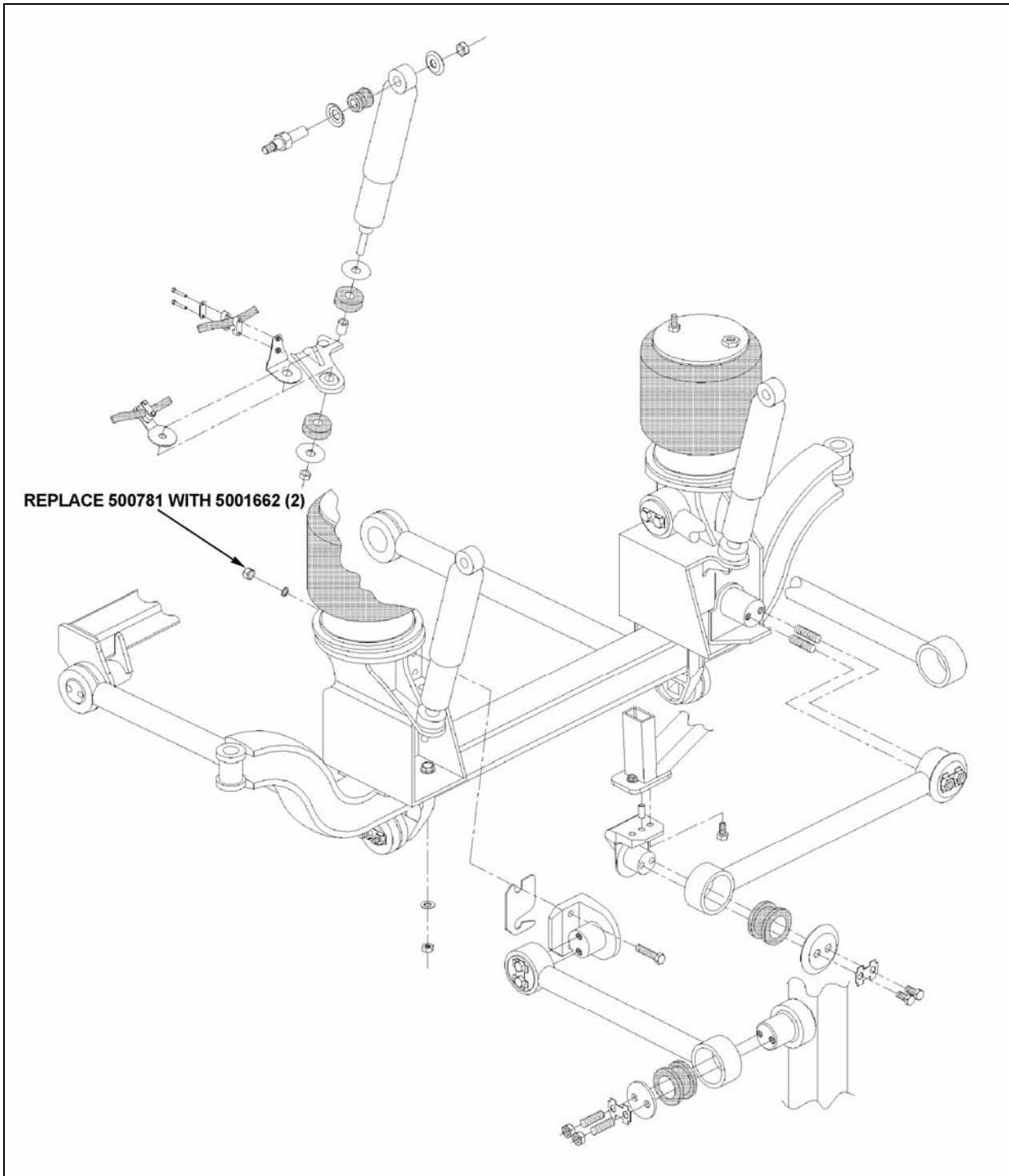


FIGURE 2: X3-45 COACHES I-BEAM FRONT AXLE

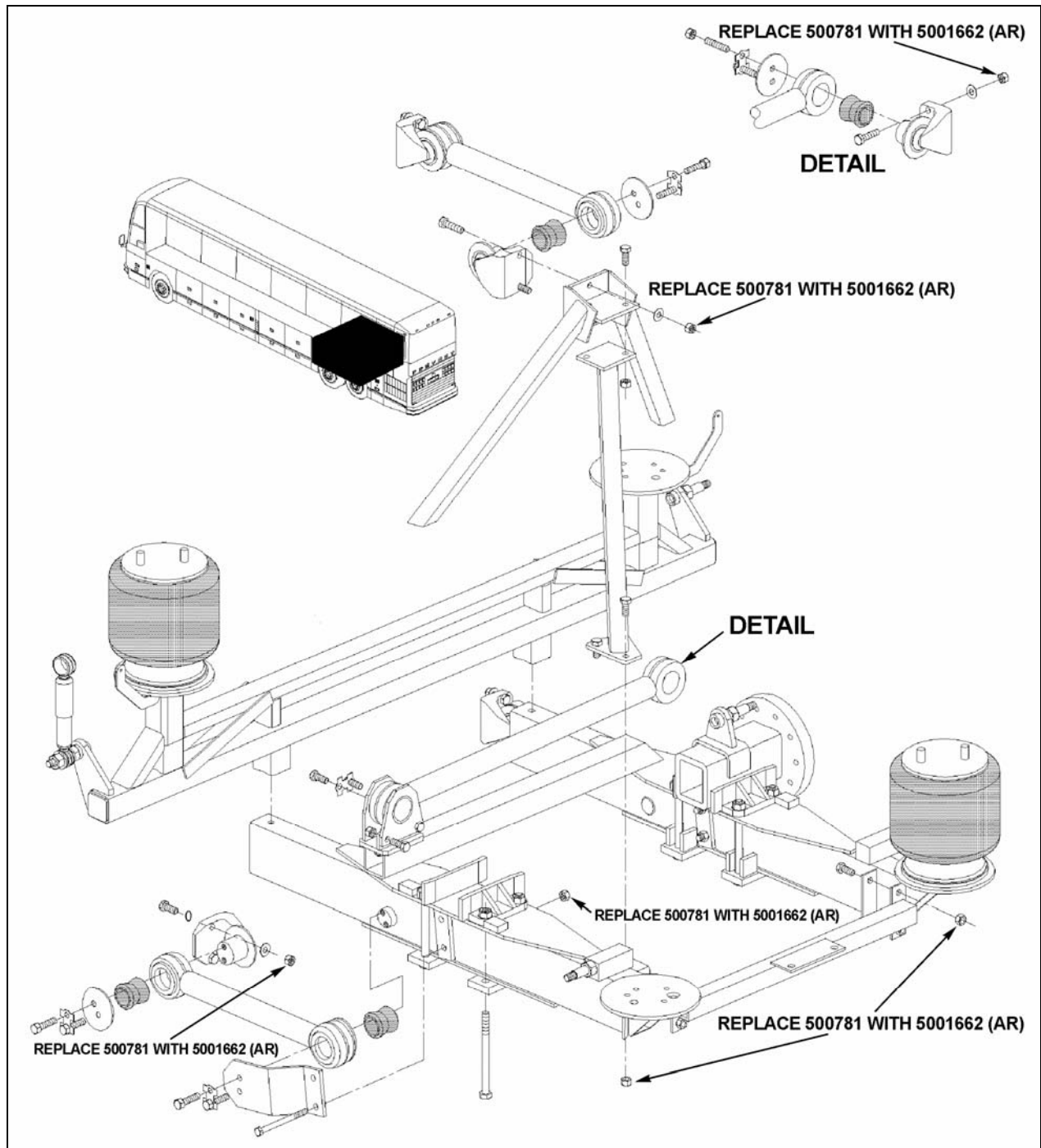


FIGURE 3: REAR SUSPENSION RADIUS ROD SUPPORTS

Waste disposal:

Discard according to applicable environmental regulations (Municipal/State[Prov.]/ Federal)