

PREVOST

ENREGISTRÉ - REGISTERED
ISO 9001 & ISO 14001

**MAINTENANCE Mi12-10
 INFORMATION**



DATE : MARCH 2012	SECTION : 04 - Exhaust
SUBJECT : DIFFUSER ADAPTER FOR EXHAUST COLLECTION SYSTEM	

DESCRIPTION

Mount the adapter to the diffuser grille in order to connect the exhaust gas collector hose.

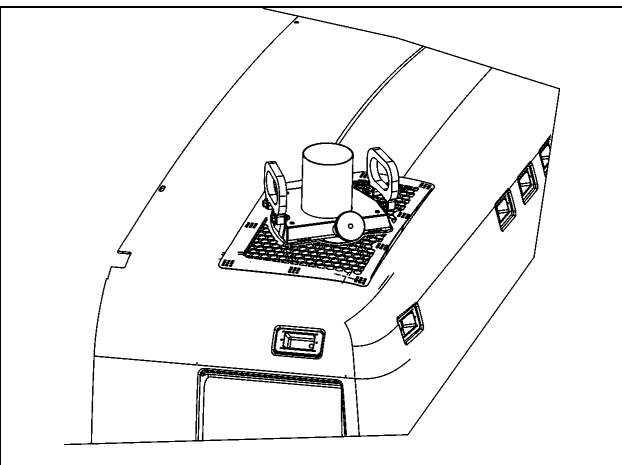
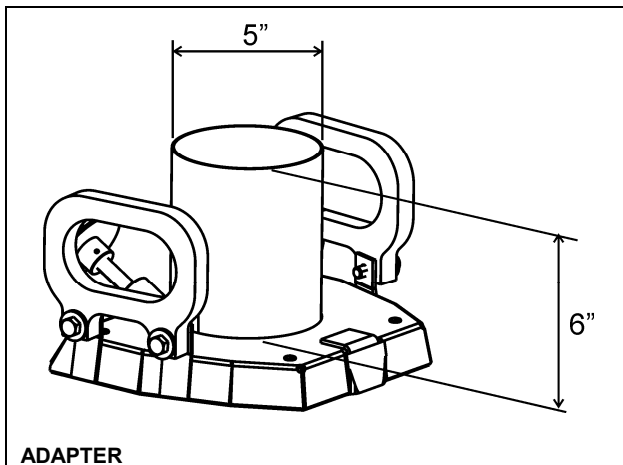
MATERIAL

Part No.	Description
687993	ADAPTER

PROCEDURE

! DANGER

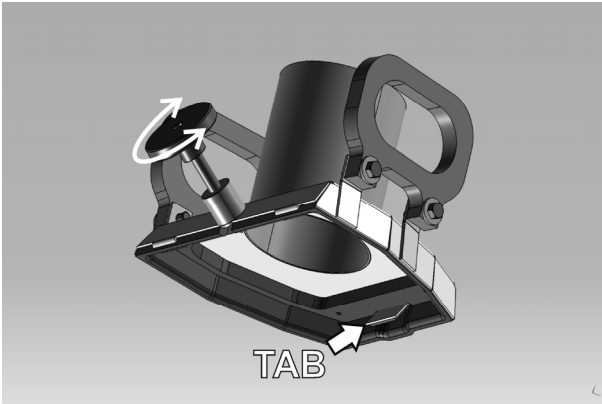
Park vehicle safely, apply parking brake, stop engine and set battery master switch(es) to the OFF position prior to working on the vehicle.



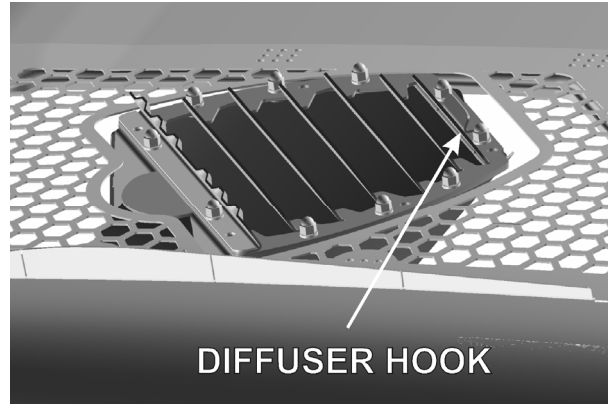


WARNING – HOT SURFACES

Hot surfaces. Keep yourself clear of hot aftertreatment system components, particularly during a stationary regeneration. Hot surfaces can cause serious burns. Always wear protective gloves when manipulating the diffuser grill adaptor.



1. Engage the adapter tab onto diffuser grille hook.
2. Rest the adapter against the diffuser grille.
3. Turn hand screw clockwise to secure the adapter onto diffuser grille.



WARNING

Do not initiate a stationary regeneration in a closed area such as a garage. Stationary regenerations must be undertaken outdoors only.



WARNING

During stationary regeneration, exhaust temperature may reach up to 1200°F (650°C) at the particulate filter. Before initiating stationary regeneration, make sure that the DPF outlet diffuser is clear of objects and that no one is working near the DPF outlet diffuser.