



PREVOST

ENREGISTRÉ - REGISTERED
ISO 9001 & ISO 14001

MAINTENANCE INFORMATION MI12-11B



DATE : MARCH 2012	SECTION : 01 - Engine
SUBJECT : BOSCH T1 ALTERNATOR BELT TENSIONER REPLACEMENT - D13 US07 ENGINE	

REVISION : B THIS MAINTENANCE INFORMATION SUPERSEDES PREVIOUS VERSION.

Kit modified. Removed 5001802, replaced by 5001843. Added spare belt. « Limp home » belt added to list.

IMPORTANT NOTICE

This modification is recommended by PrevoSt to increase your vehicle's performance. Note that no reimbursement will be awarded for carrying out this modification.

APPLICATION

Models involved	Vehicles involved
X3-45 Coaches Model Year : 2009 - 2010	<i>Vehicles with Volvo D13 US07 engine and 24V Bosch T1 alternators.</i>
XLII Motorhomes Model Year : 2009 - 2010	<i>Vehicles with Volvo D13 US07 engine and 24V Bosch T1 alternators.</i>
H3-45, H3-41 Coaches Model Year : 2009- 2010	<i>Vehicles with Volvo D13 US07 engine and 24V Bosch T1 alternators.</i>

DESCRIPTION

An improved belt tensioner is available. This modification will prolong belt life on D13 US07 Engines. The kit includes a spare belt and a "limp home" belt to be used in case one alternator fails.

MATERIAL

Order Kit # 012770 which includes:

Part No.	Description	Qty
012719	Support assembly	1
510970	Idler pulley assembly	1
510991	Belt tensioner	1
557056	Dust cap	1
5001727	Nut M10	2
5001784	Cap screw M10-1.5 x 90mm G8.8	1
5001843	Cap screw M10-1.5 x 50mm G10.9	1
5001884	Cap screw M10-1.5 x110 G10.9	1
5061286	Belt Poly V 80.90" (2055mm)	2
5061287	Belt Poly V 75.79" (1925mm) « Limp Home Belt »	1

NOTE

Material can be obtained through regular channels.

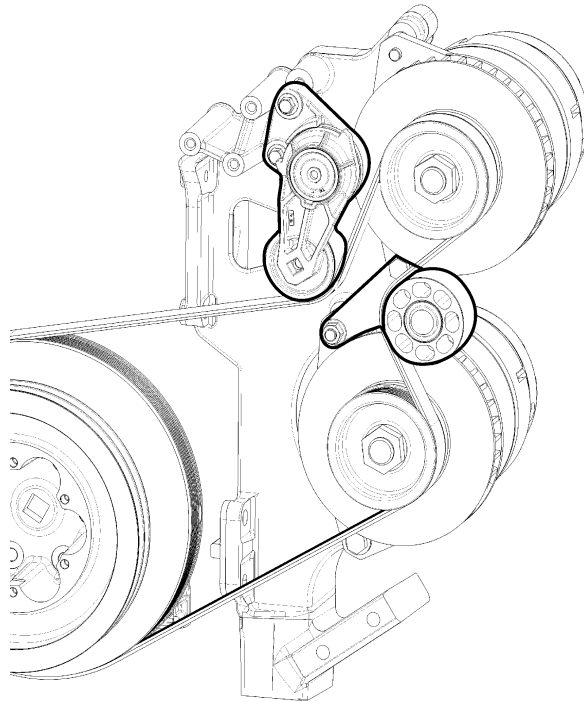
PROCEDURE



DANGER

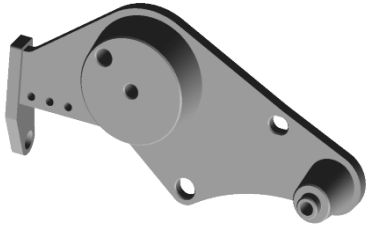
Park vehicle safely, apply parking brake, stop engine and set battery master switch(es) to the OFF position prior to working on the vehicle.

1. Relieve tension on alternator belts.
2. Remove existing tensioner and idler pulley arrangement.
3. Only keep idler pulley bracket mounting hardware.
4. Discard all other parts.



5. Replace by automatic belt tensioner asm # 012770.

6. Start by installing tensioner support.



7. In location (A), tighten support mounting hardware to 74 lb-ft.

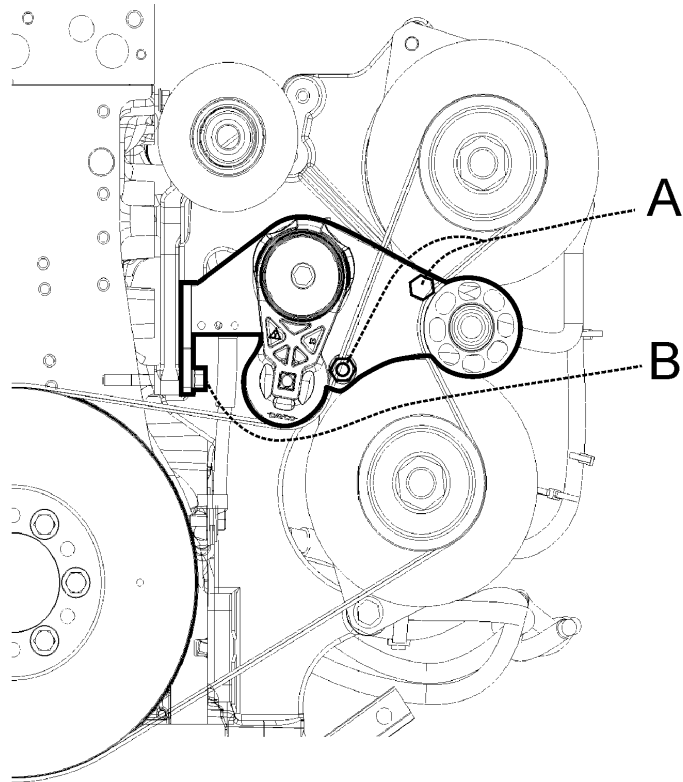
8. In location (B), make sure hole is clean and threads are free of any debris.

Then, install #5001843

M10 x 50mm bolt

(2 in. lg.)

Tighten bolt (B) to 43 lb-ft.



9. Next, install new tensioner and new idler pulley.

10. Install new belt provided with kit.

11. New tensioner is mounted with
M10 x110mm lg. bolt.

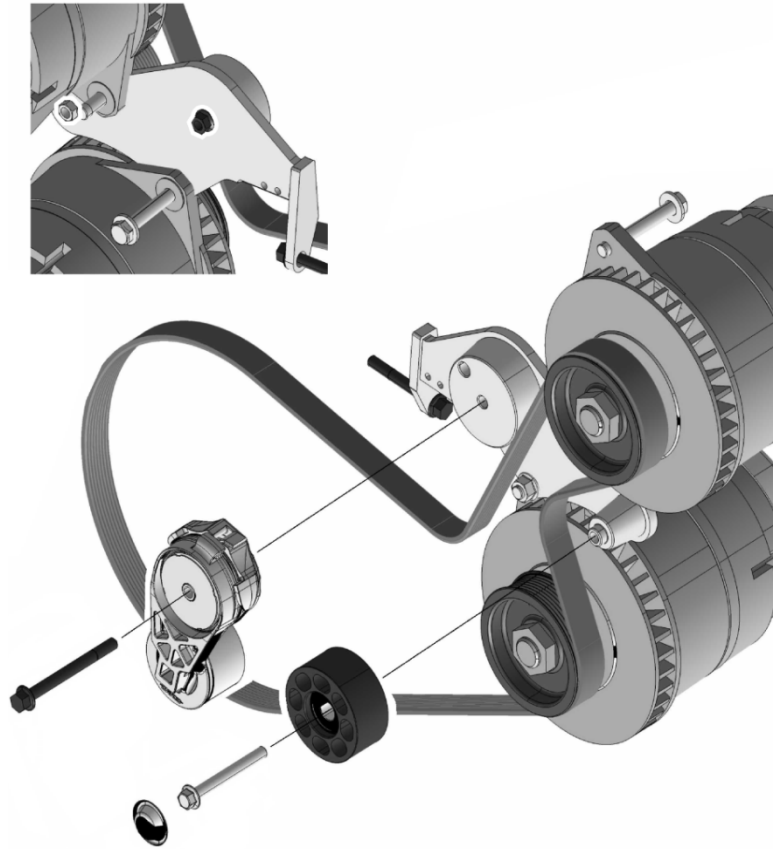
(4-1/4in. lg.)

12. New idler pulley is mounted with
M10 X 90mm lg. bolt.

(3 1/2 in. lg.)

13. Tighten bolts to 43 lb-ft.

14. Install protective cap.



PARTS / WASTE DISPOSAL

Discard waste according to applicable environmental regulations (Municipal/State[Prov.]/Federal)