

### REARVIEW MIRROR CONNECTOR REPLACEMENT FOR XL2 SERIES COACHES

#### MATERIAL

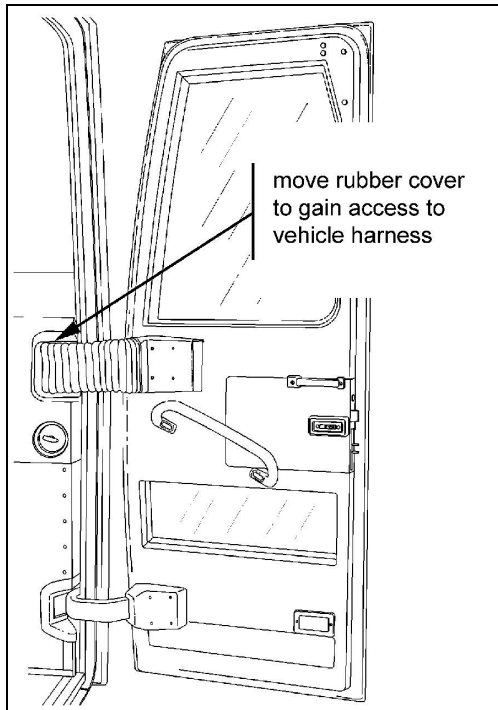
Kit #065583 includes the following parts:

Part No.	Description	Qty
563163	Connector and mirror arm harness	2
065534	Rearview mirror interface harness	2
561681	Corrugated sleeve, 6"	1
563158	Heat-shrinkable tubing	1
IS-01082	Instruction Sheet	1
FI-01082	Feuille d'instructions	1

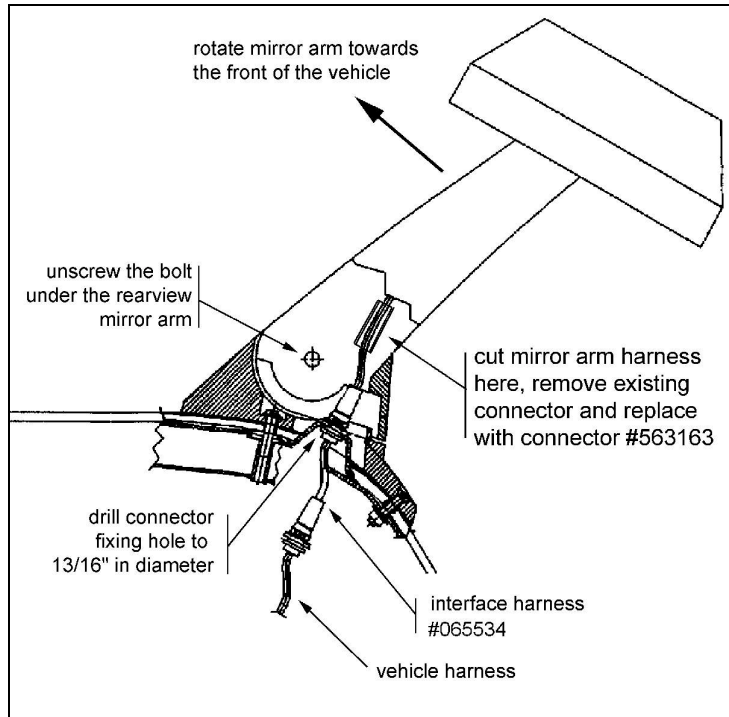
#### PROCEDURE

**Warning :** Park vehicle safely, apply parking brake, stop engine and set battery master switch(es) to the OFF position prior to working on the vehicle.

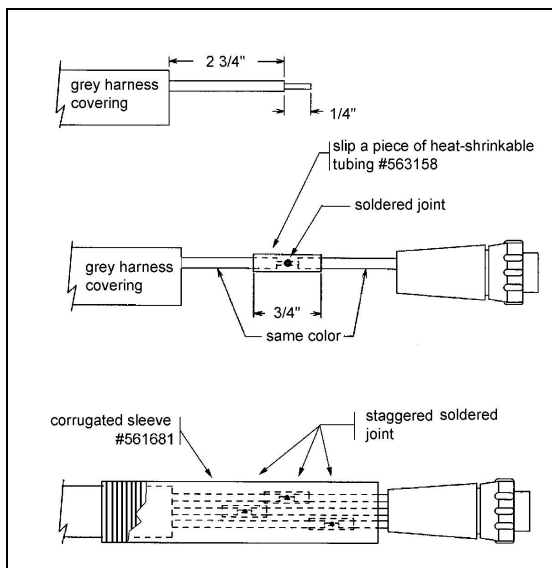
1. Cut the heat-shrinkable tubing #563158 into 16 pieces of  $\frac{3}{4}$ " approximately.
2. Cut the corrugated sleeve into 2 pieces of equal length.
3. Use the front service compartment to gain access to L.H. side vehicle harness. Gain access to R.H. side vehicle harness using the opening for the upper door hinge (figure 1).
4. Unscrew the bolt under the rearview mirror arm joint (figure 2).
5. Rotate the mirror arm towards the front of the vehicle to reach the connector (figure 2).
6. Cut the wires of the mirror arm harness near the connector in such a way that it is possible to do staggered soldered joints (figure 2 & 3).
7. Remove existing connector and enlarge the connector fixing hole up to a diameter of  $\frac{13}{16}$ ".
8. Connect interface harness #065534 to vehicle harness and install to fixing hole.
9. Prepare wires of harness #563163 and existing mirror arm harness as per figure 3.
10. Slip a piece of heat-shrinkable tubing on each wire and sold the wires of identical colors together. Heat the heat-shrinkable tubing.
11. Place a section of corrugated sleeve over the staggered soldered joints and plug connector.
12. Proceed the same way for the second rearview mirror.



**FIGURE 1 : ACCESS TO R.H. SIDE MIRROR VEHICLE HARNESS**



**FIGURE 2 : DETAIL VIEW OF REARVIEW MIRROR ARM**



**FIGURE 3 : HARNESS PREPARATION FOR SOLDERING**

COLOR CODING		
NO	COLOR	DESCRIPTION
1	Black	12 volts heater
2	Green	Up/down convex mirror motor
3	Orange	Common flat mirror motor
4	White	Ground heater
5	Blue	Common convex mirror motor
6	Brown	Left/right flat mirror motor
7	Red	Up/down flat mirror motor
8	Yellow	Left/right convex mirror motor