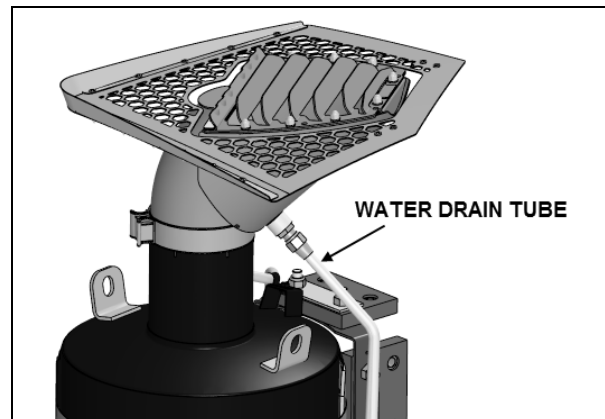
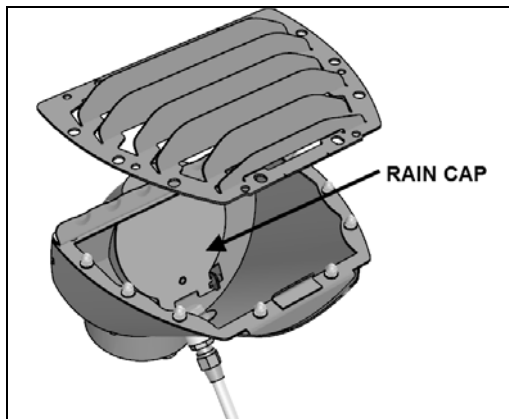


Proceed to the following inspection on the exhaust gas diffuser assembly.

1. Check for presence of foreign matter and debris inside the diffuser housing, remove and clean if applicable using compressed air jet.
2. The rain cap is the first mean of protection against water seepage. While keeping the diffuser louvered cover fastened, check for proper functioning of the rain cap inside the diffuser housing, make sure that it moves freely and seals the exhaust pipe properly. If this is not the case, have the diffuser replaced.
3. **Once a year**, make sure that the diffuser assembly water drain tube is not clogged. Pour one cup of water into the diffuser housing and check that all the water is drained at once at the other end of the drain tube. If tube is clogged, remove tube and blow compressed air inside, in reverse flow. Have the drain tube replace if clean out gives no results.



4. Inspect diffuser louvered cover for stress cracking;

NOTE

Always use anti-seize compound on diffuser fasteners.

Waste disposal:

Discard according to applicable environmental regulations (Municipal/State[Prov.]/ Federal)

Access all our Service Bulletins on
<http://prevostparts.volvo.com/technicalpublicatios/en/pub.asp>
 Or scan the QR-Code with your smart phone.

E-mail us at technicalpublications_prev@volvo.com and type "ADD" in the subject to receive our warranty bulletins by e-mail.

