

PREVOST

Instruction Sheet

IS-01095

INSTALLATION OF AN ADAPTER FOR THE SPARE WHEEL COMPARTMENT DOOR SPRING

MATERIAL

Kit #288003 includes the following parts :

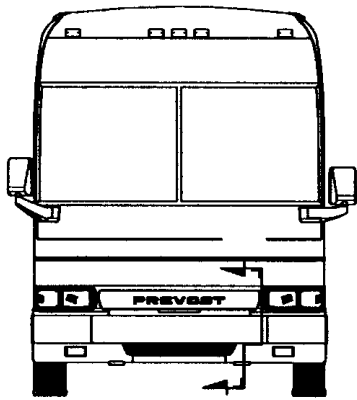
Part No.	Description	Qty
287997	Adapter	1
507110	Ring retainer ext. .500 x .392 x .042	1
500958	Washer, Flat SS .531 x 1.062 x .095	1
IS-01095	Instruction Sheet	1
FI-01095	Feuille d'instructions	1

PROCEDURE

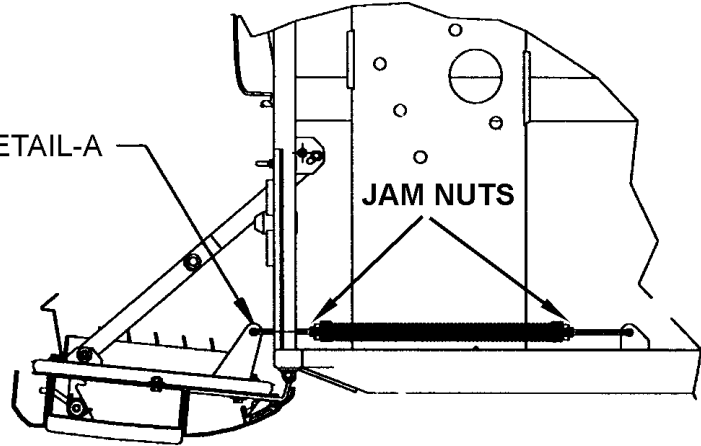
Warning : Park vehicle safely, apply parking brake, stop engine and set battery master switch(es) to the OFF position prior to working on the vehicle.

1. Open spare wheel compartment door.
2. Separate J-bolt from its anchoring point on the door.
3. Install adapter then secure using flat washer and ring retainer (refer to figure).
4. Close spare wheel compartment door.
5. Open front service compartment door.
6. Unfasten the two small jam nuts at each end of the spring. Turn spring to adjust tension.
7. Open spare wheel compartment door to verify tension.
8. Fasten the two small nuts once proper tension is attained.

Note : It is easier to adjust spring tension this way than trying from the spare wheel compartment.

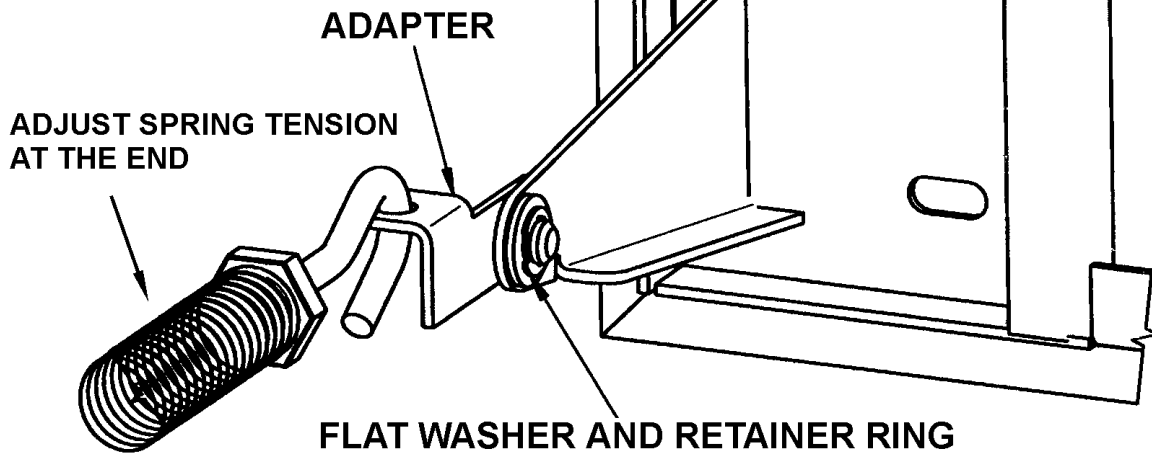


SEE DETAIL-A



JAM NUTS

INSTALLATION BEFORE MODIFICATION



ADAPTER

ADJUST SPRING TENSION
AT THE END

FLAT WASHER AND RETAINER RING

DETAIL-A