

PREVOST

Instruction Sheet

IS-02026

REPLACING THE LAVATORY CLEANING CABINET DOOR ON XL2 OR H3 COACHES

MATERIAL

Kit #405368 includes the following parts:

Part No.	Description	Qty
402737	Strike Plate	1
405366	Door Assembly, Cleaning Cabinet	1
500120	Screw, Tapping Binding Head, Phillips SS, #6 x 1/2	5
IS-02026	Instruction Sheet	1
FI-02026	Feuille d'instructions	1

PROCEDURE

Warning: Park vehicle safely, apply parking brake, stop engine and set battery master switch(es) to the OFF position prior to working on the vehicle.

1. Open the lavatory door.
2. Unfasten the screws fixing the cleaning cabinet door frame then remove the door c/w the frame (refer to figure 1 or figure 2).
3. Cut the panel out on the R.H. side of the cleaning cabinet opening as per measurements indicated in figure 3 then drill 5 - 7/64" dia. holes. Note that the lavatory wall on H3 coaches is made of 1/4" thick fiberglass while the lavatory wall on XL2 coaches is made of 3/4" thick plywood.
4. Install the strike plate (402737) over the cut out then secure using two screws (500120) as per figure 4.
6. Fix the door hinge assembly (405366) using three remaining screws (500120).

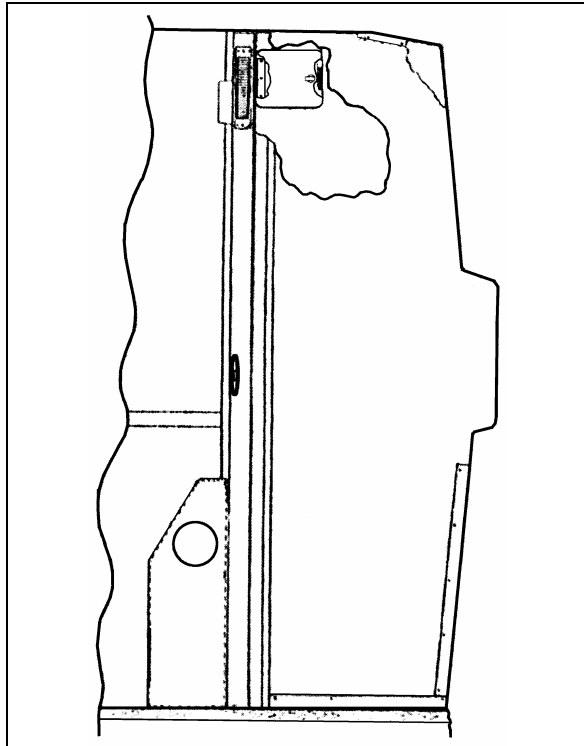


FIGURE 1: INSTALLATION ON H3 COACHES

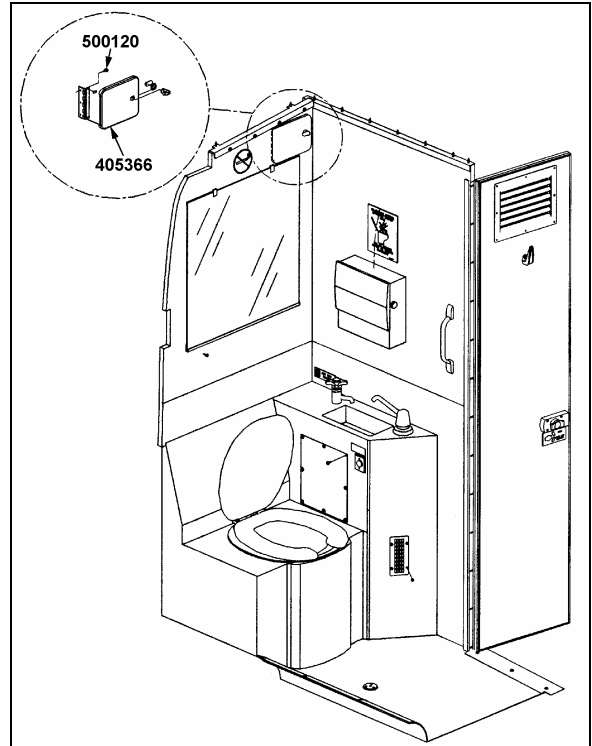


FIGURE 2: INSTALLATION ON XL2 COACHES

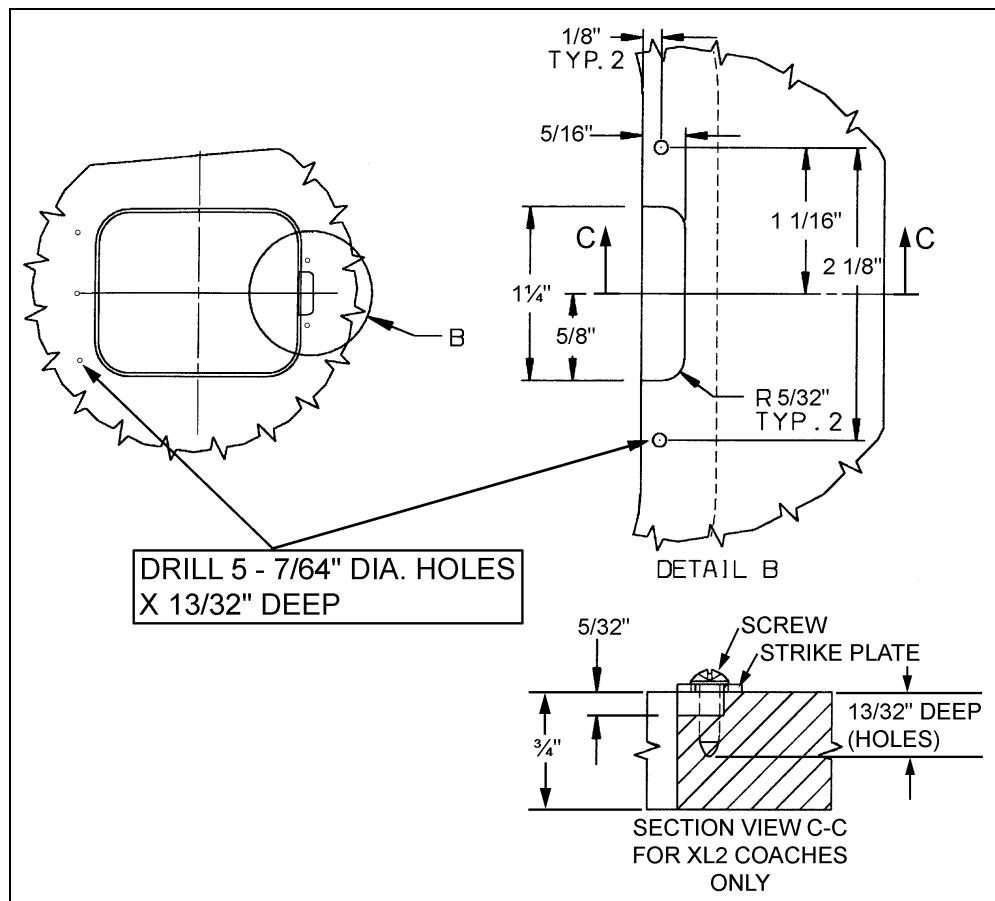


FIGURE 3

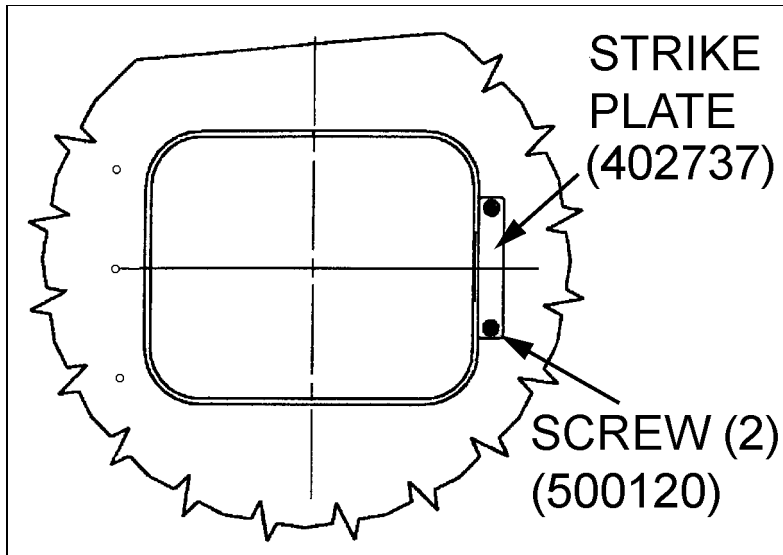


FIGURE 4

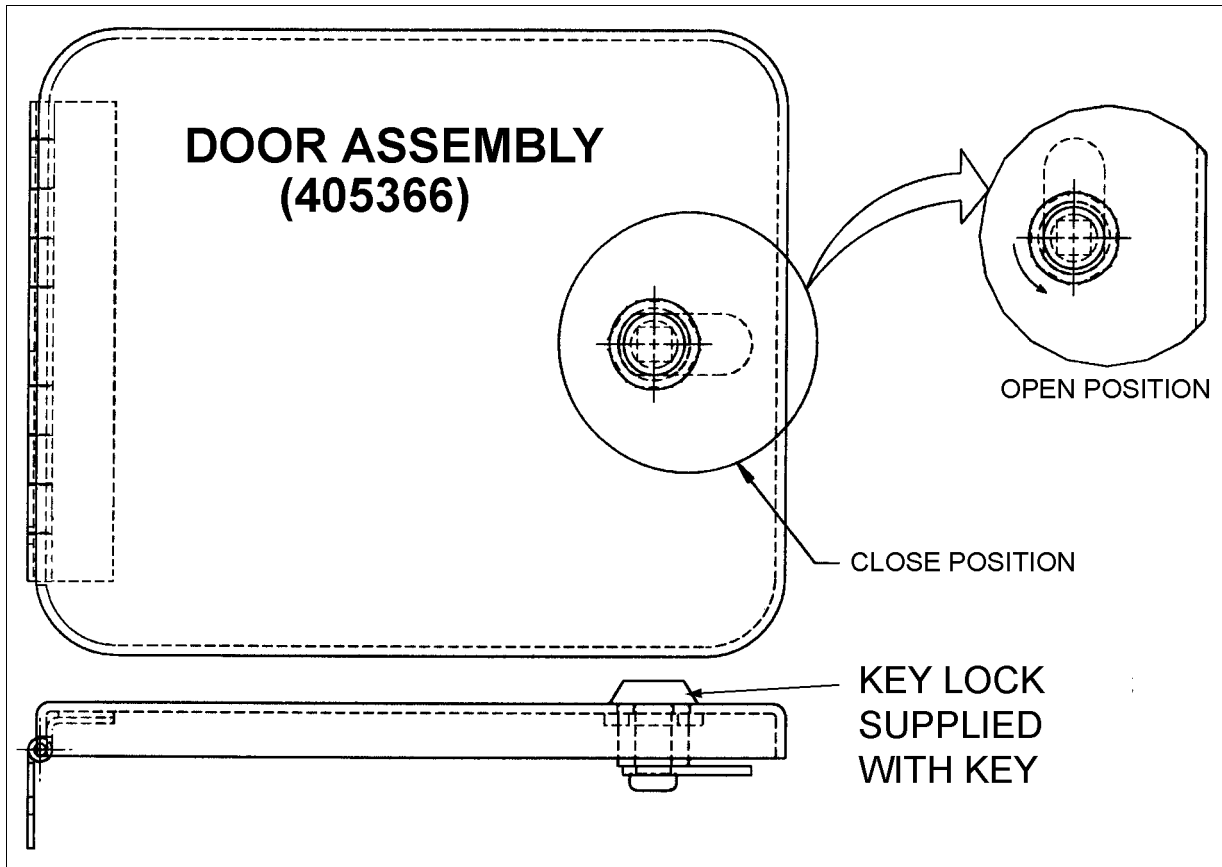


FIGURE 5