



PREVOST

**SAFETY
RECALL**


Sr01-11

ENREGISTRÉ - REGISTERED
ISO 9001 & ISO 14001



DATE : December 2001	SECTION : 03
SUBJECT : REPLACEMENT OF ACCELERATOR PEDAL BASE PLATE	

APPLICATION

Model	VIN	
XLII series vehicles Model Year : 2001 - 2002	From 2PCX3349X11027633 up to 2PCW3349121027758 incl.	
H3-41, H3-45 and H3-45 VIP vehicles Model Year : 2001 - 2002	From 2PCV3349411014240 up to 2PCV3349821014369 incl.	

DESCRIPTION

Williams Controls incorporated, the manufacturer of the electronic foot pedal assembly currently installed in the vehicles mentioned above, has decided that a defect which relates to motor vehicle safety exists in certain Floor Mounted Electronic Throttle Control Pedals. This is due to a defective weld. It is not known whether the parts would fail under normal operation of the vehicle. If this defect did occur during normal operation, the engine could return to idle, thereby possibly resulting in a crash and injury.

First of all, perform part 1 to check if the electronic foot pedal assembly installed in your vehicle(s) is subject to this recall campaign. **Only if this is the case, perform part 2 of this bulletin to replace the accelerator pedal base plate with a new unit.**

Caution : The warranty will reimburse only the accelerator pedal base plates identified as subject to this recall. Before proceeding to replace the base plate, check if your accelerator pedal is subject to this safety recall (refer to part 1).

MATERIAL

Part No.	Description	Qty
531462	Base Plate Replacement Kit, Accelerator Pedal	1

Note : Material can be obtained through regular channels.

PROCEDURE

Warning : Park vehicle safely, apply parking brake, stop engine and set battery master switch(es) to the OFF position prior to working on the vehicle.

PART 1 - IDENTIFYING THE ACCELERATOR PEDAL

1. Locate the accelerator pedal;
2. Locate the Product Specification Label affixed to the base plate (refer to figure 1);
3. Confirm that the lot number is one of the following: L-453, L-455, L-457, L-459, L-461, L-465, L-467, L-471, L-475 and L-477.
4. If the base plate **is** of the type identified above, follow the instructions in part 2 and replace with a new unit. If the base plate **is not** of the type identified above, no replacement is needed.

PART 2 – REPLACING THE BASE PLATE

1. Remove the pedal assembly from the vehicle by unfastening the potentiometer two fixing screws, the cable clamp screw and the base plate three fixing screws.
2. Position the pedal so that the heel is toward you.
3. Use a 3/8" drift punch and drive pin out toward shouldered side of pin.

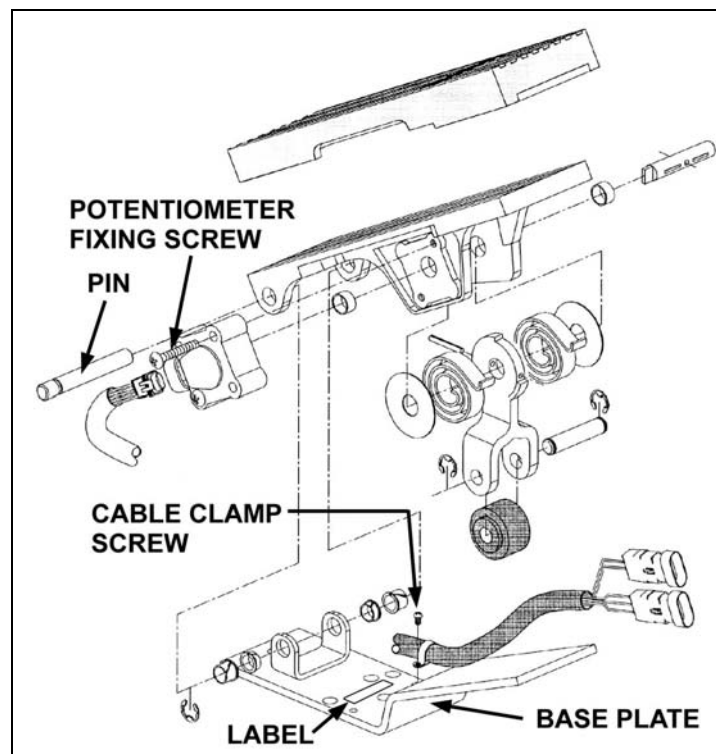


FIGURE 1

4. Transfer the information from the ID label on the original base plate to the pre-applied label on the replacement base plate:
 - Assembly Part number [six digits (351359 for example)]
 - Lot number [usually preceded with an "L" (L-405 for example)]
 - Date Code [3 digits ending in 1 (311 for example)]

5. Discard the defective base plate.
6. Align new base plate with holes in treadle casting.
7. Make sure that pin is aligned with hole in casting and oriented such that the head of the pin is on the left while looking from the heel of the pedal.
8. Drive pin into place. Make sure to drive it squarely, so the head is not damaged.
9. Reinstall pedal assembly to vehicle and fasten potentiometer two fixing screws.
10. Secure wiring harness to base plate with cable clamp and screw. Torque the screw to 20-35 in-lb. Leave a large loop in the harness assembly to eliminate excessive bending of the wires. Make sure the harness is routed as originally found.
11. Secure base plate to vehicle using three fixing screws.
12. Exercise the pedal by pushing down and releasing the pedal a few times to ensure that there is nothing binding, and that free movement is observed.
13. Attach the label included identifying that the pedal assembly has been reworked.

WARRANTY

This modification is covered by Prévost Car's normal warranty. We will reimburse you the parts and half an hour (0.5) of labor upon receipt of parts and a completed A.F.A. form on which you must specify as per "Safety Recall 01-11". **You also have to fill the "Safety Recall Certification Sheet" provided with this bulletin and return it with your A.F.A. form to be reimbursed.**

Parts disposition :

- Return to Prévost Car with A.F.A. for full reimbursement.



PREVOST

**Safety Recall
Certification Sheet
(Ref: Sr01-11)**

ENREGISTRÉ - REGISTERED
ISO 9001 & ISO 14001



SERIAL NUMBER: _____

PERFORMED BY		OWNER/OPERATOR	
We hereby certify that Safety Recall Instructions with regard to Safety Recall #01-11 have been performed.			
Name: _____		Name: _____	
Addr: _____		Addr: _____	
Phone: _____		Phone: _____	
Fax: _____		Fax: _____	
Signature :	_____	Signature :	_____
Date:	_____	Date:	_____

If the information mentioned above is incorrect or you are not the owner of this vehicle anymore, please fill this section and return to sender.

NEW OWNER: _____

BUSINESS: _____

ADDRESS: _____

TELEPHONE: _____ **FAX:** _____

**Please return this completed document with your
A.F.A. form**