



PREVOST

ENREGISTRÉ - REGISTERED
ISO 9001 & ISO 14001


SAFETY RECALL

Sr04-13



DATE : SEPTEMBER 2004	SECTION : 16
SUBJECT : INSPECTION OF RADIUS ROD SUPPORT PINS	

APPLICATION

Model	VIN	
H3-45 VIP, H3-41 & H3-45 Coaches Model Year : 2004	From 2PCV334964 <u>1014907</u> up to 2PCH334904 <u>1014981</u> incl.	
MTH XL2-40, MTH XL2-45 & XL2-45 Entertainer & XL2-45 Coaches Model Year : 2005	From 2PCX334995 <u>1028391</u> up to 2PCX334995 <u>1028438</u> incl.	

DESCRIPTION

On the above-mentioned vehicles, material that does not meet PrevoSt Car requirements may have been installed on the front suspension of I-beam axle equipped vehicles and on the rear suspension of all vehicles. It is necessary to inspect the radius rod support pins to ensure that no cracks are present. This inspection will determine if the radius rod support pins need replacement. For more information or help on how to perform this safety recall, please contact your service manager or the nearest service center.

PROCEDURE

△ WARNING △

Raise vehicle or park vehicle over a repair pit, apply parking brake, stop engine and set battery master switch(es) to the OFF position prior to working on the vehicle. Prior to working under an air-suspended vehicle, it is strongly recommended to securely support the body at the recommended jacking points.

Identify and mark the front and rear suspension radius rods that must be dismantled in order to check the pins. Only the identified radius rods must be dismantled.

PART A: FRONT SUSPENSION

NOTE

Check the front suspension of vehicles equipped with an I-beam front suspension only. Check the rear suspension of all vehicles.

1. Dismount each radius rod by flattening the tabs of locking plate and by unscrewing the two bolts directly fastened into radius rod pivot (if needed, refer to maintenance manual). Thoroughly clean the parts contact surfaces by removing all trace of grease or rust preventive product.
2. Check support pin surface for cracks (Refer to example in figure 1).

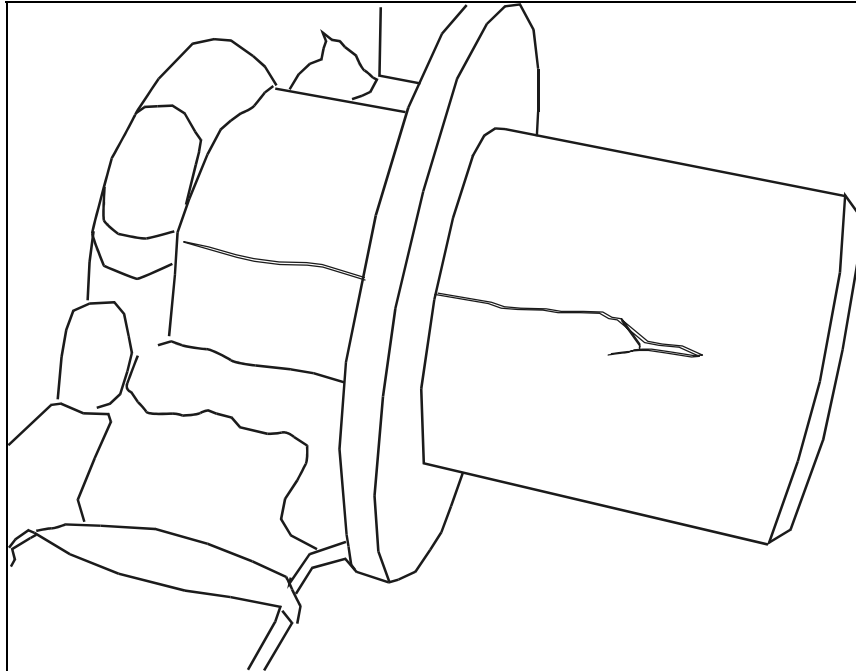


FIGURE 1: EXAMPLE OF CRACK

3. If a defective support pin is detected, it must be replaced (Refer to figures 2, 3 and 4).

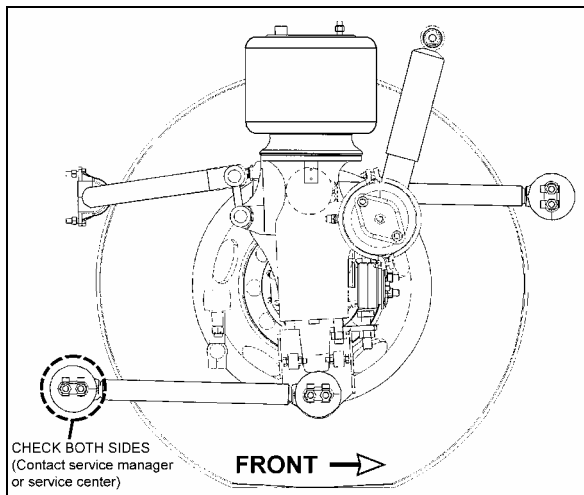


FIGURE 2 : XL2 VEHICLES FRONT SUSPENSION

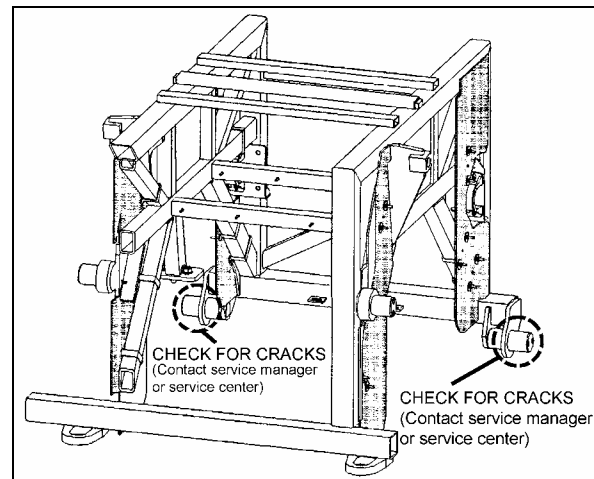


FIGURE 3 : XL2 VEHICLES FRONT SUSPENSION

⚠ CAUTION ⚠

If one of the XL2 front suspension support pins is found defective (cracked), contact your service manager or the nearest PrevoSt Car service center for more information or help on how to perform this safety recall.

4. If the support pin is not defective, reinstall the radius rod. Use new locking tab plates (Prévost #110340). Coat the surface of contact of the head and the bolt threads with white grease, position radius rod then tighten bolts by hand.

MATERIAL

Part No.	Description	Qty
110340	Locking Tab Plate	A/R
110652P	Support, Radius Rod L.H.	1
110653P	Support, Radius Rod R.H.	1
110620P	Support, Bellows L.H.	1
131690	Attachment, Radius Rod Support	1

NOTE

Material can be obtained through regular channels.

- Alternately tighten bolts up to 115 Ft-lbf (156 Nm) torque. Fold locking tab over bolt heads.

⚠ CAUTION ⚠

Before tightening bolts, it is extremely important that the vehicle's suspension be set to the proper driving height (see maintenance manual) otherwise; the rubber bushing will become preloaded, thus reducing the life span of these parts.

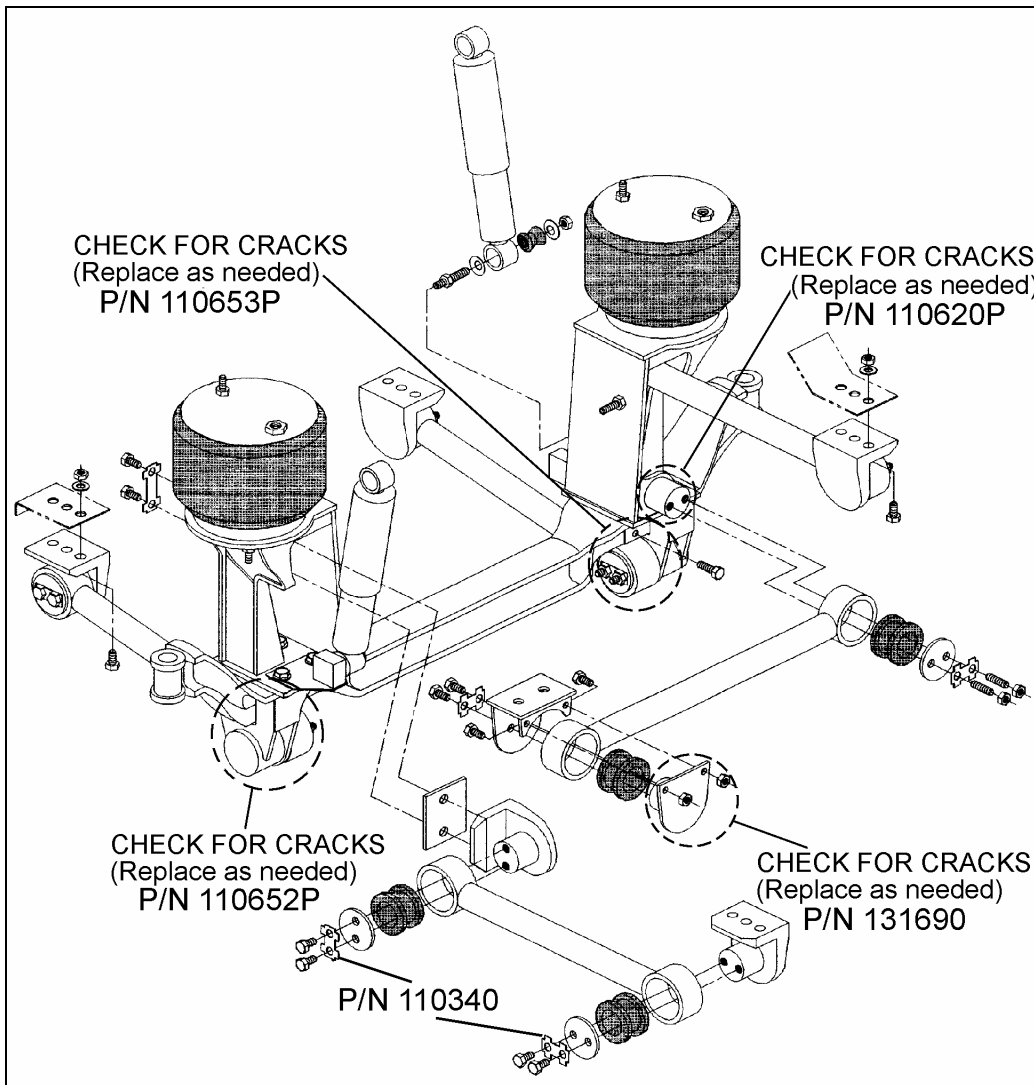


FIGURE 4: H3 VEHICLES I-BEAM AXLE FRONT SUSPENSION

PART B: REAR SUSPENSION

1. Dismount each radius rod by flattening the tabs of locking plate and by unscrewing the two bolts directly fastened into radius rod pivot (if needed, refer to maintenance manual). Thoroughly clean the parts contact surfaces by removing all trace of grease or rust preventive product.
2. Check support pin surface for cracks (Refer to example in figure 1). If a defective support pin is detected, it must be replaced (Refer to figures 5, 6, 7 and 8).

⚠ CAUTION ⚠

If one of the drive axle subframe support pins or one of the support pins located aft of the tag axle is found defective (cracked), contact your service manager or the nearest Prevost Car service center for more information or help on how to perform this safety recall.

3. If the support pin is not defective, reinstall the radius rod. Use new locking tab plates (Prévost #110340). Coat the surface of contact of the head and the bolt threads with white grease, position radius rod then tighten bolts by hand.
4. Alternately tighten bolts up to 115 Ft-lbf (156 Nm) torque. Fold locking tab over bolt heads.

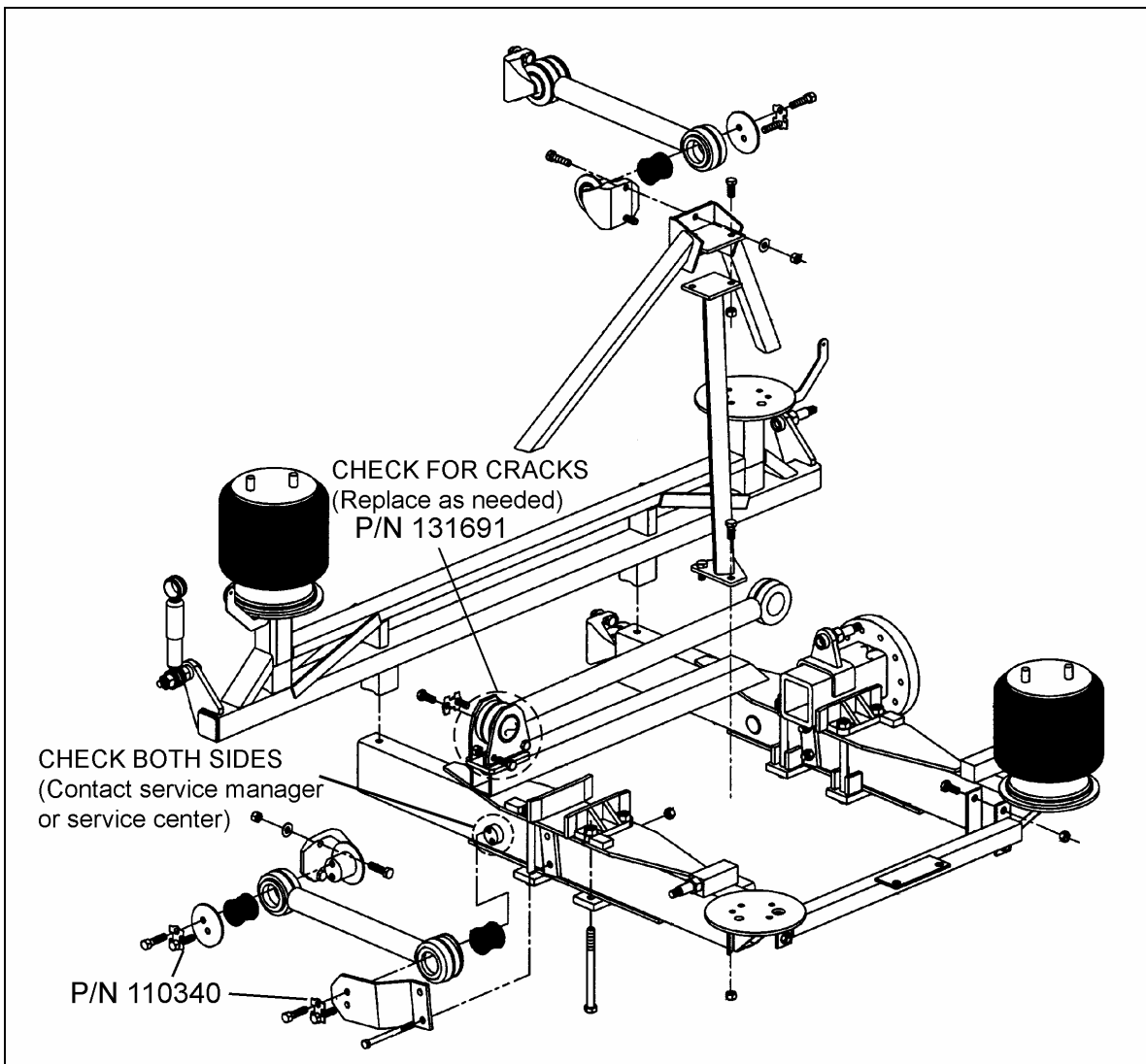


FIGURE 5: REAR SUSPENSION

MATERIAL

Part No.	Description	Qty
110340	Locking Tab Plate	1
131690	Attachment, Radius Rod Support	1
131691	Attachment, Radius Rod Support	1

NOTE

Material can be obtained through regular channels.

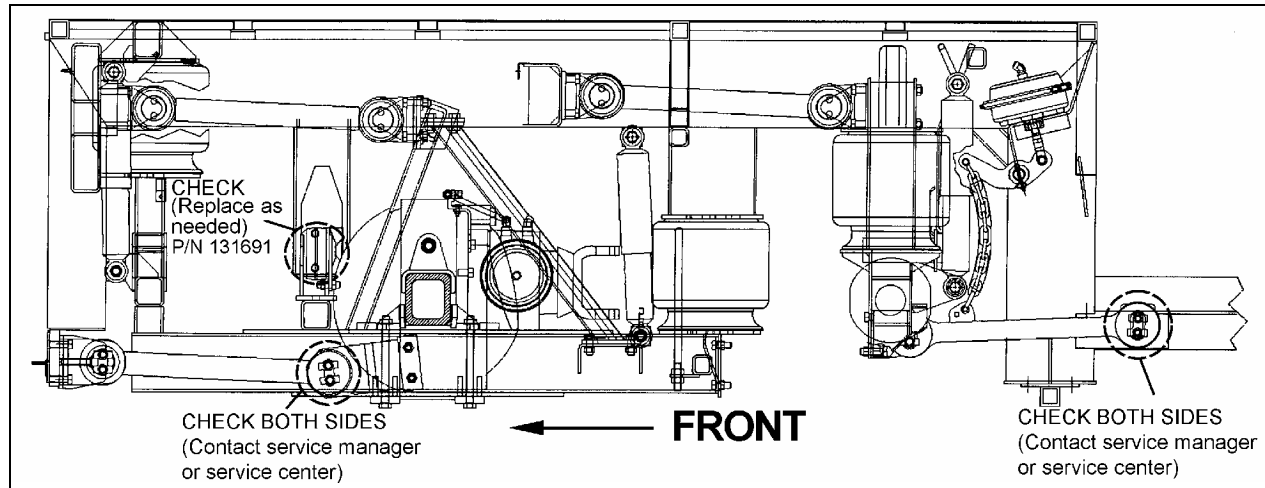


FIGURE 6: REAR SUSPENSION

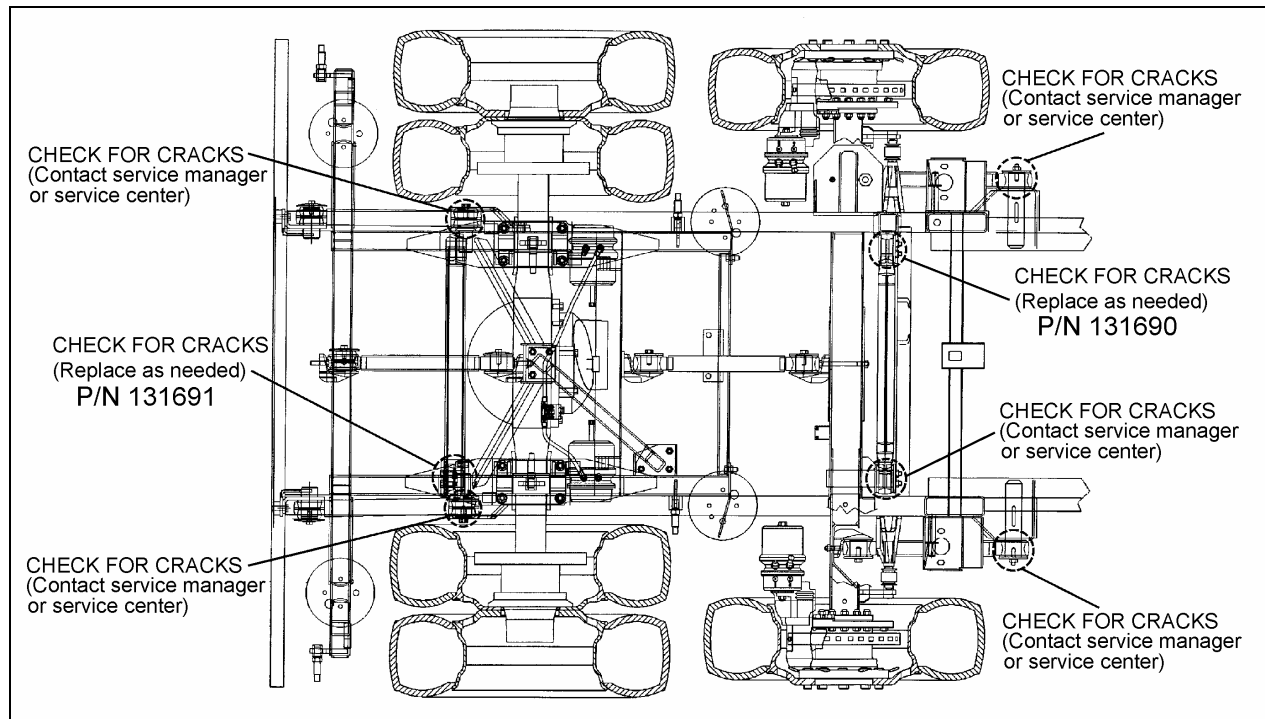


FIGURE 7: REAR SUSPENSION

⚠ CAUTION ⚠

Before tightening bolts, it is extremely important that the vehicle's suspension be set to the proper driving height (see maintenance manual) otherwise; the rubber bushing will become preloaded, thus reducing the life span of these parts.

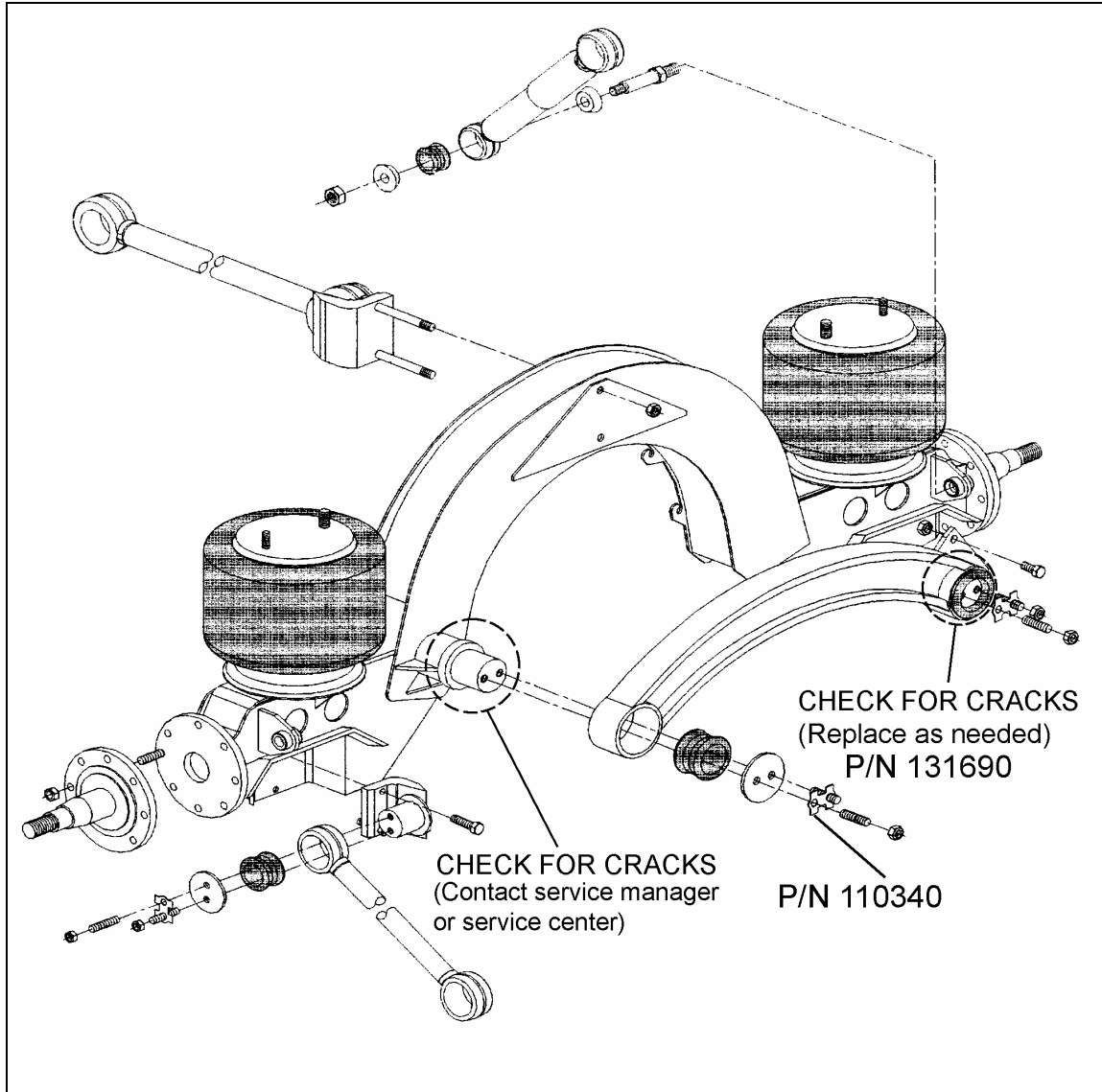


FIGURE 8: TAG AXLE

WARRANTY

This modification is covered by Prevost Car's normal warranty. We will reimburse you the parts and ten hours (10.0) of labor upon receipt of the parts and a completed A.F.A. form on which you must specify as per "Safety Recall 04-13". **You also have to fill the "Safety Recall Certification Sheet" provided with this bulletin and return it with your A.F.A. form to be reimbursed.**

Parts disposition :

- Return to Prévost Car with A.F.A. for full reimbursement.



PREVOST

**Safety Recall
Certification Sheet
(Ref: Sr04-13)**

ENREGISTRÉ - REGISTERED
ISO 9001 & ISO 14001



SERIAL NUMBER: _____

PERFORMED BY		OWNER/OPERATOR	
We hereby certify that Safety Recall Instructions with regard to Safety Recall #04-13 have been performed.			
Name: _____		Name: _____	
Addr: _____		Addr: _____	
Phone: _____		Phone: _____	
Fax: _____		Fax: _____	
Signature :	_____	Signature :	_____
Date:	_____	Date:	_____

If the information mentioned above is incorrect or you are not the owner of this vehicle anymore, please fill this section and return to sender..

NEW OWNER: _____

BUSINESS: _____

ADDRESS (including County): _____

TELEPHONE: _____ **FAX:** _____

**Please return this completed document with your
A.F.A. form**