



PREVOST

ENREGISTRÉ - REGISTERED
ISO 9001 & ISO 14001

**SAFETY
 RECALL**

Sr05-07



DATE : March 2005	SECTION : 14
SUBJECT : INSPECTION & REPLACEMENT OF POWER STEERING PRESSURE HOSE	

APPLICATION

Model	VIN
XLII-45 Entertainer Model Year : 2001 – 2005	From 2PCY3349311027428 up to 2PCY3349X51028369 incl.
XLII-45 Coaches Model Year : 2001 – 2005	From 2PCX3349911027493 up to 2PCX3349851028513 incl.
H3-41 & H3-45 Coaches Model Year : 2002 – 2005	From 2PCH3349821014403 up to 2PCH3349X51010094 incl.
H3-45 VIP Entertainer Model Year : 2002 – 2004	2PCV3349131014442 – 2PCV3349431014449 – 2PCV3349431014452 2PCV3349131014456 – 2PCV3349531014458 – 2PCV3349331014460 2PCV3349931014463 – 2PCV3349231014465 – 2PCV3349231014479 2PCV3349031014481 – 2PCV3349631014484 – 2PCV3349X31014486 2PCV3349331014491 – 2PCV3349431014497 – 2PCV3349631014503 2PCV3349X31014505 – 2PCV3349X31014519 – 2PCV3349031014531 2PCV3349831014535 – 2PCV3349331014541 – 2PCV3349031014545 2PCV3349331014555 – 2PCV3349031014559 – 2PCV3349231014563 2PCV3349631014565 – 2PCV3349331014572 – 2PCV3349831014583 2PCV3349031014593 – 2PCV3349131014604 – 2PCV3349831014616 2PCV3349031014643 – 2PCV3349231014644 – 2PCV3349131014683 2PCV3349031014688 – 2PCV3349031014691 – 2PCV3349831014695 2PCV3349731014719 – 2PCV3349731014722 – 2PCV3349631014727 2PCV3349231014742 – 2PCV3349431014743 – 2PCV3349X31014746 2PCV3349531014749 – 2PCV3349331014751 – 2PCV3349441014758 2PCV3349541014767 – 2PCV3349041014787 – 2PCV3349441014789 2PCV3349841014794 – 2PCV3349741014804 – 2PCV3349041014806 2PCV3349241014807 – 2PCV3349641014809 – 2PCV3349041014823 2PCV3349141014829
<p>This Safety Recall does not necessarily apply to all the above-mentioned vehicles, some vehicles may have been modified before delivery. The owners of the vehicles affected by this recall will be advised by a letter indicating the Vehicle Identification Number (VIN) of each vehicle concerned.</p>	

DESCRIPTION

It has come to the attention of Prevost Car Inc. that on the previously mentioned vehicles, premature power steering hose wear located in the engine compartment, baggage compartments and in the front service compartment might occur and thus in the long term cause power steering break down. Inspect the hoses mentioned below and replace them if there is evidence of wear.

PART A – HOSE INSPECTION

PROCEDURE

△ WARNING △

Park vehicle safely, apply parking brake, stop engine and set battery master switch(es) to the OFF position prior to working on the vehicle.

1. Open the front electrical and service compartment; inspect the power steering pressure hose in order to detect any signs of wear.
2. Open the baggage compartment door(s). Inspect the power steering pressure hose in order to detect any signs of wear.
3. Open the engine compartment door(s). Inspect the power steering pressure hose in order to detect any signs of wear. Mainly inspect the hose near the pump and near the starter motor cable assembly.
4. If no signs of wear are detected, close the door(s), the inspection is finished.
5. If premature power steering hose wear is detected, proceed with part b.

PART B – HOSE REPLACEMENT

MATERIAL

Part No.	Description	Qty
161027	Hose, Replacement, XLII Rear Section, XLII-45 Entertainer	1
161137	Hose, Replacement, XLII Rear Section, XLII-45 Coaches	1
161197	Kit, Hose Replacement, XLII Front Section	1
161136	Hose, Entire, Replacement, (9195 mm) XLII-45 Coaches & Entertainer	1
161198	Kit, Hose Replacement, H3 Front Section	1
161199	Kit, Hose Replacement, H3 Rear Section	1
161164	Hose, Entire, Replacement, (14550 mm) H3	1

NOTE

Material can be obtained through regular channels.

H3 SERIES VEHICLES PROCEDURE

BAGGAGE COMPARTMENTS

1. Fix pressure hose to supports using nylon ties (Refer to figure 1).

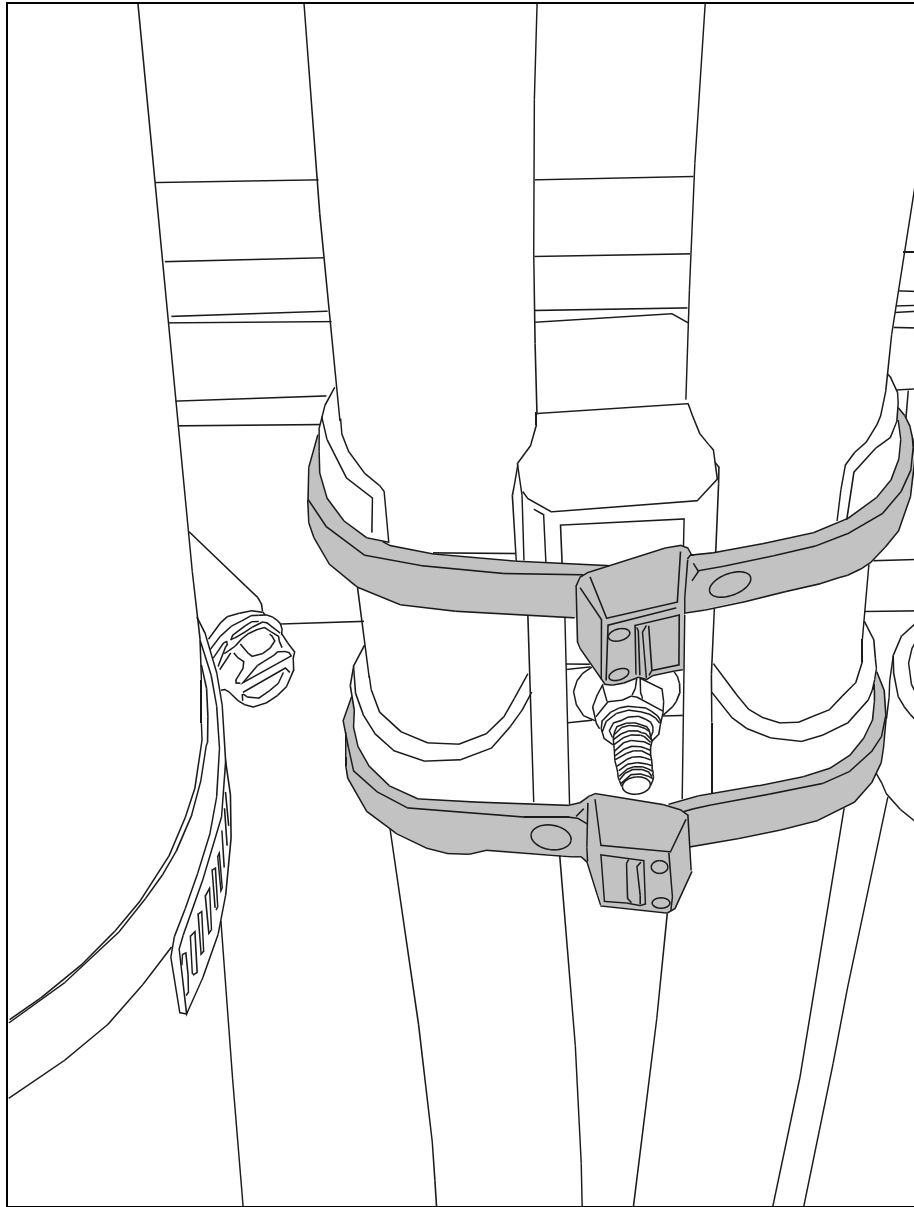


FIGURE 1: INSTALLATION OF NYLON TIES (TYPICAL)

2. If the pressure hose oozes with oil or premature hose wear has reached the wire reinforcement, replace the entire power steering pressure hose (161164).

FRONT SECTION

1. Put a container into place below the power steering gear, and then disconnect the pressure hose from the power steering gear. Cover fittings to prevent fluid contamination.
2. Measure the new hose length (161196) supplied in kit #161198. Cut and remove the corresponding length of hose from the installed hose.
3. Install the male connector (501456) to the end of the cut hose.
4. Install the new hose between the male connector and the power steering gear.
5. Bleed air from the system as indicated in section 14 of Maintenance Manual.

REAR SECTION

1. Open the engine compartment door then put a container into place below the power steering pump, and then disconnect the pressure hose from the power steering pump. Cover fittings to prevent fluid contamination.
2. Measure the new hose length (161194) supplied in kit #161199. Cut and remove the corresponding length of hose from the installed hose.
3. Install the male connector (501456) to the end of the cut hose.
4. Install the new hose between the male connector and the power steering pump.
5. Bleed air from the system as indicated in section 14 of Maintenance Manual.

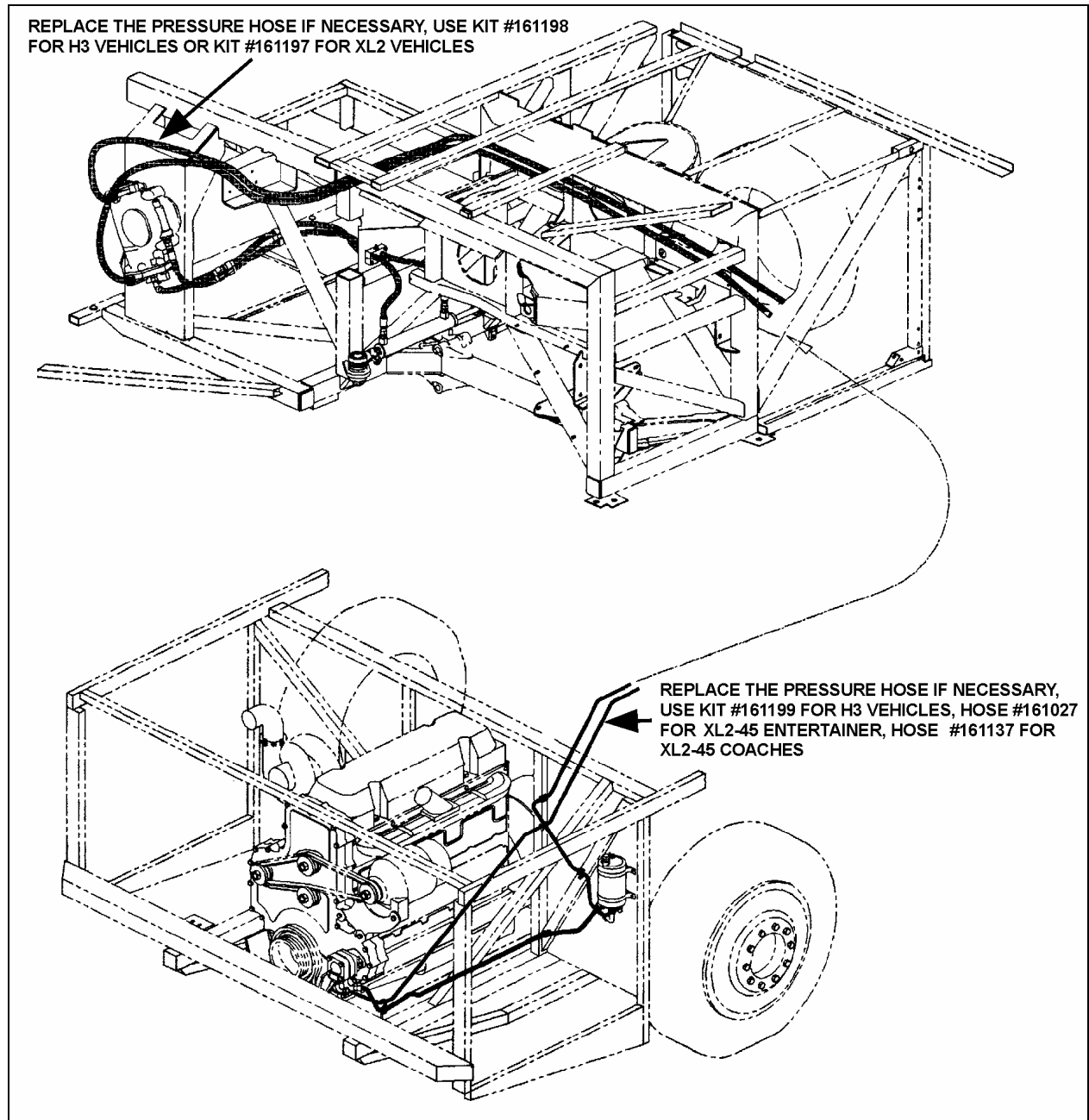


FIGURE 2: H3 OR XLII VEHICLES

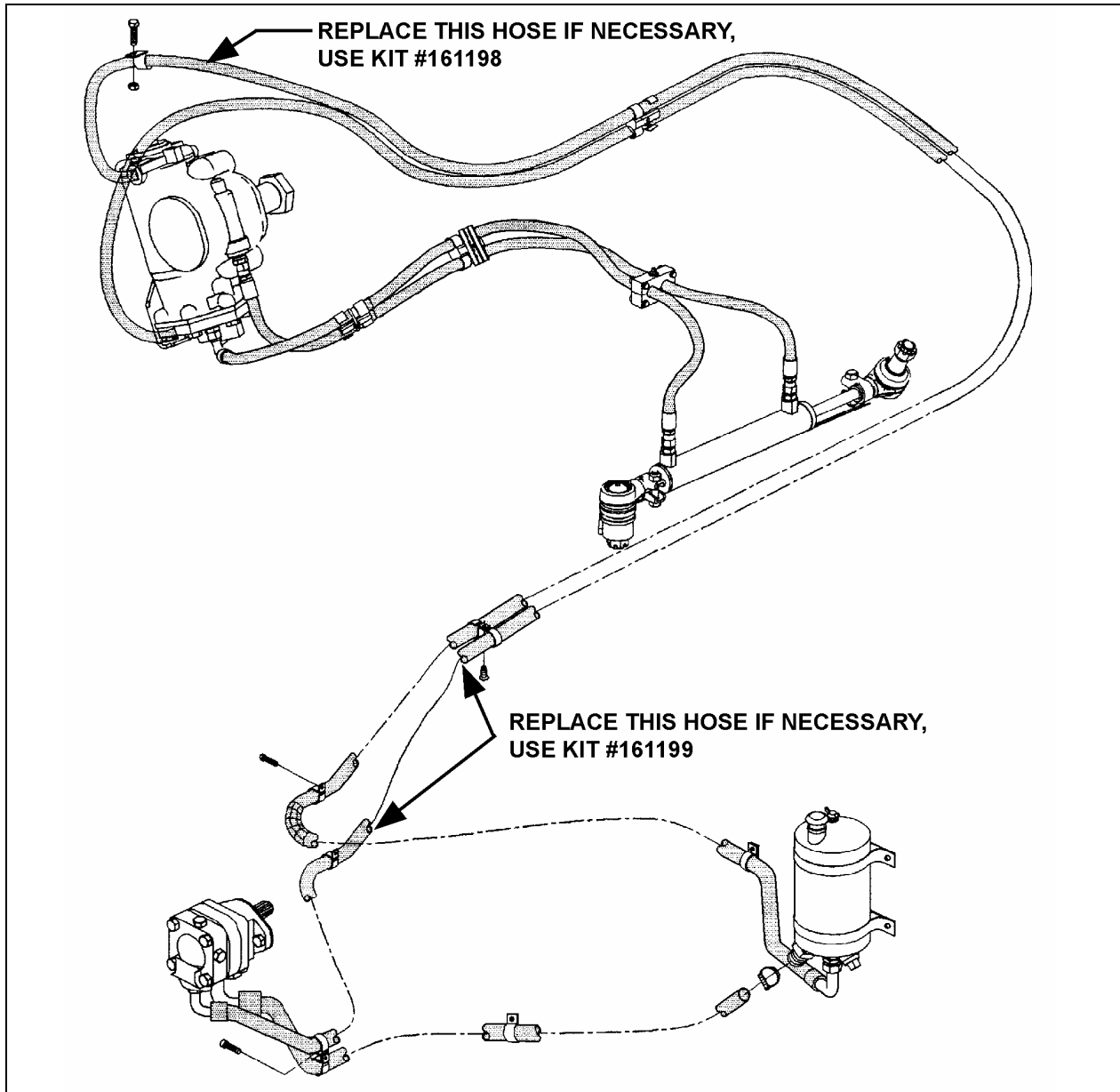


FIGURE 3: H3 VEHICLES

XLII SERIES VEHICLES PROCEDURE

BAGGAGE COMPARTMENTS

1. Fix pressure hose to supports using nylon ties (Refer to figure 1).
2. If the pressure hose oozes with oil or premature hose wear has reached the wire reinforcement, replace the entire power steering pressure hose (161136).

FRONT SECTION

1. Put a container into place below the power steering gear, and then disconnect the pressure hose from the power steering gear. Cover fittings to prevent fluid contamination.

2. Measure the new hose length (161195) supplied in kit #161197. Cut and remove the corresponding length of hose from the installed hose.
3. Install the male connector (501456) to the end of the cut hose.
4. Install the new hose between the male connector and the power steering gear.
5. Bleed air from the system as indicated in section 14 of Maintenance Manual.

REAR SECTION

1. Open the engine compartment doors then put a container into place below the power steering pump.
2. Disconnect the pressure hose located between the power steering pump and the bulkhead connector. Cover fittings to prevent fluid contamination.
3. Install the new hose (161027 or 161137) between the bulkhead connector and the power steering pump.
4. Bleed air from the system as indicated in section 14 of Maintenance Manual.

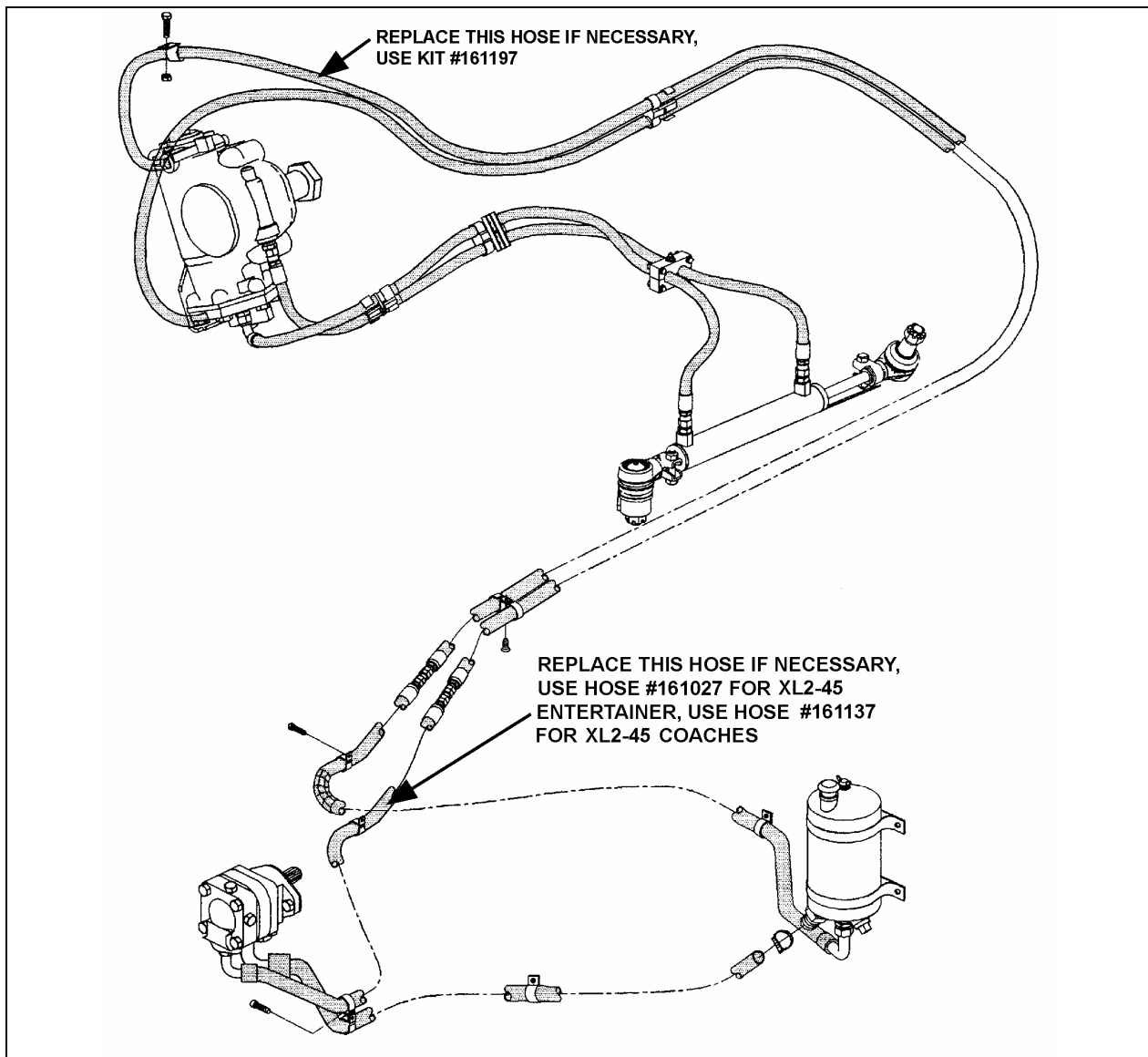


FIGURE 4: XLII VEHICLES

WARRANTY

This modification is covered by Prevost Car's normal warranty.

PART A – HOSE INSPECTION

We will reimburse you one quarter hour (0.25) of labor for performing the inspection.

PART B – HOSE REPLACEMENT

We will reimburse you the parts and **two hours (2.0) of labor per replaced hose** upon receipt of the replaced parts and a completed A.F.A. form on which you must specify as per "Safety Recall 05-07". **You also have to fill the "Safety Recall Certification Sheet" provided with this bulletin and return it with your A.F.A. form to be reimbursed.**

We will reimburse you the parts and **four hours (4.0) of labor for the replacement of the entire hose** upon receipt of the replaced parts and a completed A.F.A. form on which you must specify as per "Safety Recall 05-07". **You also have to fill the "Safety Recall Certification Sheet" provided with this bulletin and return it with your A.F.A. form to be reimbursed.**

Parts / Waste disposal:

Return replaced parts to Prevost Car with A.F.A. for full reimbursement.

Reimbursement is subject to parts inspection by Prevost Car.



PREVOST

**Safety Recall
Certification Sheet
(Ref: Sr05-07)**

ENREGISTRÉ - REGISTERED
ISO 9001 & ISO 14001



SERIAL NUMBER: _____

PERFORMED BY		OWNER/OPERATOR	
We hereby certify that Safety Recall Instructions with regard to Safety Recall #05-07 have been performed.			
Name: _____		Name: _____	
Addr: _____		Addr: _____	
Phone: _____		Phone: _____	
Fax: _____		Fax: _____	
Signature :	_____	Signature :	_____
Date:	_____	Date:	_____

If the information mentioned above is incorrect or you are not the owner of this vehicle anymore, please fill this section and return to sender.

NEW OWNER: _____

BUSINESS: _____

ADDRESS (including County): _____

TELEPHONE: _____ **FAX:** _____

**Please return this completed document with your
A.F.A. form**