



PREVOST

ENREGISTRÉ - REGISTERED
ISO 9001 & ISO 14001

SAFETY RECALL

Sr08-22A




DATE : APRIL 2009	SECTION : 14-STEERING
SUBJECT : POWER STEERING HOSE INSPECTION AND REPLACEMENT	

REVISION : A THIS SAFETY RECALL SUPERSEDES PREVIOUS VERSION.

MODIFICATION TO PROCEDURE TO SEPARATE COACHES AND MTH

APPLICATION


Model	VIN	
X3-45 Coaches Model Year : 2007 - 2009	From <u>2PCG3349471028754</u> up to <u>2PCG334959C729603</u> incl.	
XLII-45E MTH BUS SHELLS Model Year : 2007 - 2009	<u>2PCY3349X71029010</u> And from <u>2PCY3349771729096</u> up to <u>2PCY334969C729596</u> incl.	
XLII-45 MTH BUS SHELLS Model Year: 2007 - 2009	<u>2PCW3349071029024</u> And from <u>2PCW3349771729106</u> up to <u>2PCW334909C729598</u> incl.	
This Safety Recall does not necessarily apply to all the above-mentioned vehicles, some vehicles may have been modified before delivery. The owners of the vehicles affected by this recall will be advised by a letter indicating the Vehicle Identification Number (VIN) of each vehicle concerned.		

DESCRIPTION

It has come to the attention of Prevost that on the vehicles affected by this recall, premature power steering hose wear located in the rear baggage compartment might occur and thus in the long term cause power steering system break down. Inspect the hoses mentioned below and replace them if it is necessary.

PART A – X3-45 COACHES ONLY

PROCEDURE


DANGER

Park vehicle safely, apply parking brake, stop engine and set battery master switch(es) to the OFF position prior to working on the vehicle.

1. Open rear baggage compartment door.
2. Remove the 2 nylon blocks fixing the power steering hoses on the wall separating the rear baggage compartment from the rear wheelhousing.
3. Inspect power steering pressure hoses especially where the hoses come in contact against the nylon blocks. Check for signs of wear or abrasion.



4. **If the hose metal sheathing is not visible**, proceed with PART A. **If pressure hose metal sheathing is visible**, proceed with PART B.

STEP 1 – FIXING BLOCKS REPLACEMENT

MATERIAL

Part No.	Description	Qty
160033	Block, Nylon fixing with flared openings	2

NOTE

Material can be obtained through regular channels.

1. Replace the 2 nylon fixing blocks with new ones with flared openings (160033).
2. Apply some Sika 221 (680532) onto the hose area damaged by the abrasion.
3. Secure the 2 blocks to the hoses.
4. Apply some Sika 221 (680532) between the structure (wall) and the fixing blocks for watertightness.
5. Fasten the blocks to the rear baggage compartment wall.
6. Wipe off excess of Sika.

WARRANTY

This modification is covered by Prevost's normal warranty. We will reimburse you the parts and half an hour (0.5) of labor upon receipt of a completed A.F.A. form on which you must specify as per "Safety Recall 08-22A". **You also have to fill the "Safety Recall Certification Sheet" provided with this bulletin and return it with your A.F.A. form to be reimbursed.**

Parts disposition:

- Discard according to applicable environmental regulations (Municipal/State[Prov.]/ Federal)

STEP 2 – HOSE REPLACEMENT

PROCEDURE

DANGER

Park vehicle safely, apply parking brake, stop engine and set battery master switch(es) to the OFF position prior to working on the vehicle.

MATERIAL

Kit #160034 includes the following parts:

Part No.	Description	Qty
160033	Block, Nylon fixing with flared openings	2
163459	Hose, 105 inch complete with fitting	1
501005	Fitting, to be installed onto hose front section (cut)	1
504727	Block, Nylon fixing (two pieces)	1
504728	Plate, Fixing	1
500107	Screw	1

NOTE
Material can be obtained through regular channels.

1. Disconnect hose fitting located above tag axle.
2. Remove hose brackets between fitting and rear baggage compartment partition wall.

3. Inside rear baggage compartment, cut worn hose close to the rear wall (near the white nylon fixing blocks).



4. Remove worn hose located between tag axle and rear baggage compartment.
5. Install new hose on vehicle starting with fitting above tag axle.

<i>NOTE</i>

<i>Position sections of orange protector using worn hose as a reference.</i>
--

6. Secure hose to vehicle inside rear wheelhousing.
7. Replace former nylon plastic blocks inside rear baggage compartment with new ones with flared openings (160033).
8. Secure 2 nylon fixing blocks to hoses.
9. Apply some Sika 221 (680532) between the structure (wall) and the fixing blocks for watertightness.
10. Fasten the blocks to the rear baggage compartment wall.
11. Cut worn hose again so as to leave a 1 3/8 inch (35 mm) gap between front hose and the rear hose fitting end.
12. Clean and remove all residues from cut out area.
13. Fasten female part of fitting (501005) onto front hose (left-end thread).



14. Fasten male part of fitting onto hose.
15. Connect front hose to rear hose.

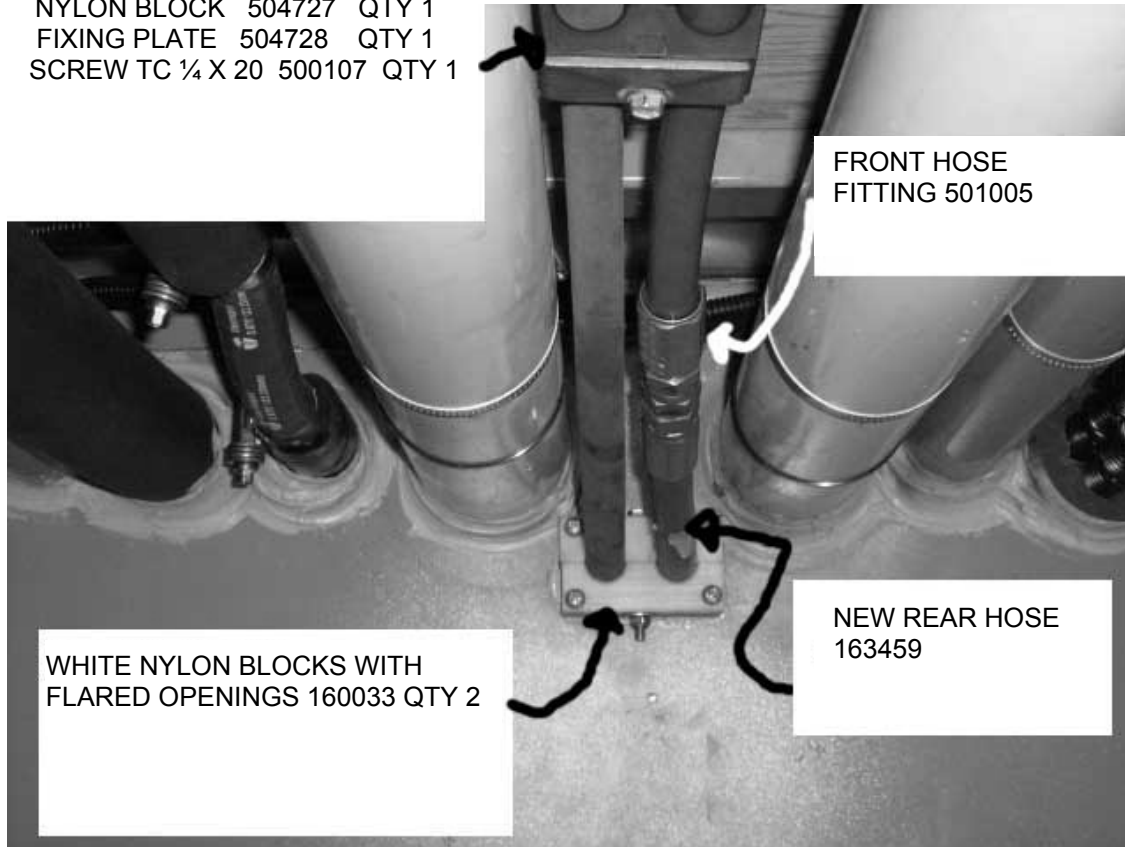


16. Secure hoses to the structural tubing using the green plastic supports.



17. Add if necessary, a support inside the rear baggage compartment to prevent any contact between hoses or with surroundings.

NYLON BLOCK 504727 QTY 1
FIXING PLATE 504728 QTY 1
SCREW TC ¼ X 20 500107 QTY 1



18. Fill up power steering system reservoir with fluid (about 3 liters)
19. Start vehicle, turn steering wheel a few times and adjust level.

WARRANTY

This modification is covered by Prevo's normal warranty. We will reimburse you the parts and two and a half an hour (2.5) of labor upon receipt of a completed A.F.A. form on which you must specify as per "Safety Recall 08-22A". **You also have to fill the "Safety Recall Certification Sheet" provided with this bulletin and return it with your A.F.A. form to be reimbursed.**

Parts disposition:

- Discard according to applicable environmental regulations (Municipal/State[Prov.]/ Federal)

PART B – XLII-45 AND XLII45E MTH BUS SHELLS

PROCEDURE



DANGER

Park vehicle safely, apply parking brake, stop engine and set battery master switch(es) to the OFF position prior to working on the vehicle.

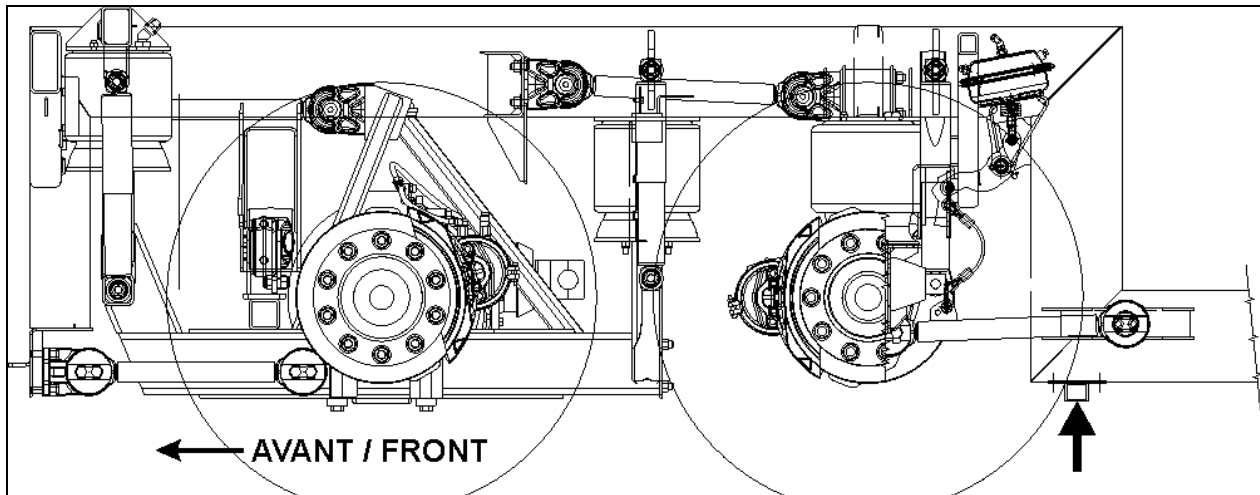
MATERIAL

Part No.	Description	Qty
144923	Sheathing, Protective #12 RLA ¾" (6" long)	2
507664	Tie, Wrap Nylon	2

NOTE

Material can be obtained through regular channels.

1. Raise the vehicle using the axle jacking points.
2. Place a jack on each side of vehicle to support the rear end.



3. From the rear wheelhousing, visually inspect the wall separating the rear baggage compartment from the rear wheelhousing, where the blue power steering pressure hoses go through. Check for signs of oil or rust especially where the hoses come in contact against the nylon blocks. If this is the case, contact your nearest Prevest Service Center or your Regional Service Manager to have the hose replaced. If not, go on with procedure.
4. Clean the wall area near the power steering pressure hoses. Use a cleaner such as "Brake Cleaner" (685248).
5. Amply apply some Sika 221 (680532) onto the cleaned area and the pressure hoses.
6. Split open black protective sheathing (144923) and install (split facing down) over pressure hoses near the wall.
7. Fix protective sheathing using nylon tie wraps (507664).

WARRANTY

This modification is covered by Prevest's normal warranty. We will reimburse you the parts and one hour (1.0) of labor upon receipt of a completed A.F.A. form on which you must specify as per "Safety Recall 08-22A". **You also have to fill the "Safety Recall Certification Sheet" provided with this bulletin and return it with your A.F.A. form to be reimbursed.**

Parts disposition:

- Discard according to applicable environmental regulations (Municipal/State[Prov.]/ Federal)