

PREVOST

Instruction Sheet

IS-02048A

WHEELCHAIR LIFT ACCESS DOOR NEW OPENING MECHANISM

Revision A :

CONTROL CABLE PART NUMBER WAS MODIFIED
--

MATERIAL

Kit #287427 includes the following parts :

Part No.	Description	Qty
289242	Door Mechanism, XL2 WCL	1
500658	Screw, TC Pan Head Phillips ZP 10 - 24 x 3/4	3
287174	Support	1
504379	Rivet, Pop Dome Head SS Open End 3/16 x 1/4	3
500964	Washer, Flat ZP .203 x .500 x .047	3
500470	Washer, Split Lock ZP .193 x .334 x .047	3
500590	Nut, Lock Hex Nylon Insert ZP M4 - 0.7	1
500591	Washer, Flat ZP M4 - 9 x 0.8	2
287455	Cable, Control	1
680532	Cartridge, Sikaflex gray 221	1
IS-02048A	Instruction Sheet	1
FI-02048A	Feuille d'instructions	1

PROCEDURE

Warning : Park vehicle safely, apply parking brake, stop engine and set battery master switch(es) to the OFF position prior to working on the vehicle.

1. Open the lift mechanism baggage door and swing open until locked open. Pull the wheelchair access door opening handle in the top left corner of the baggage compartment and swing the door until locked open.
A light inside the vehicle illuminates the doorway when the wheelchair access door is open.

Note: Add some gray Sikaflex 221 behind the rivets before securing the support.

2. Separate former support from handle and secure new support (287174) using rivets (504379). Do not install handle at this moment.
3. From inside of vehicle, remove finishing trim in the vicinity of door lock. Remove top aluminum molding and lateral panel.

-
4. Remove parts identified in figure 4 then install new mechanism (289242) and new control cable (780636) as indicated in figures 5 and 6. Secure new mechanism using screws (500658) then verify for proper operation. Secure control cable to handle then tighten the nuts as indicated in figure 3.

Note: Proper operation may be affected if mechanism nut (see 500590, figure 4) or handle nuts are too tight (see figure 3).

Note: Adjust height of mechanism (289242) so that at least $\frac{1}{2}$ " of cable travel is necessary before the first release. Cable tension can be adjusted by changing the position of the spring (3 holes).

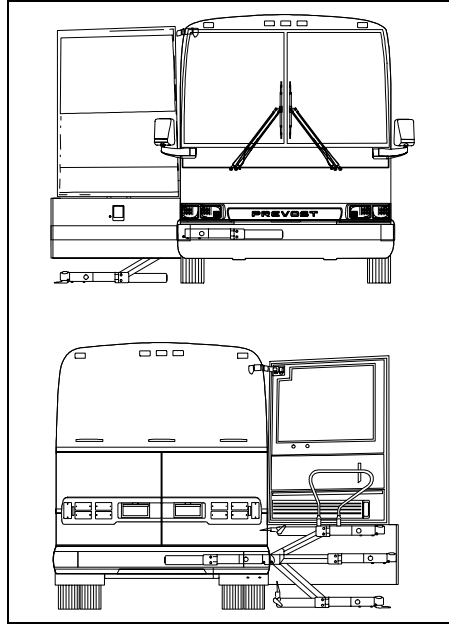


FIGURE 1: WHEELCHAIR LIFT AND DOORS

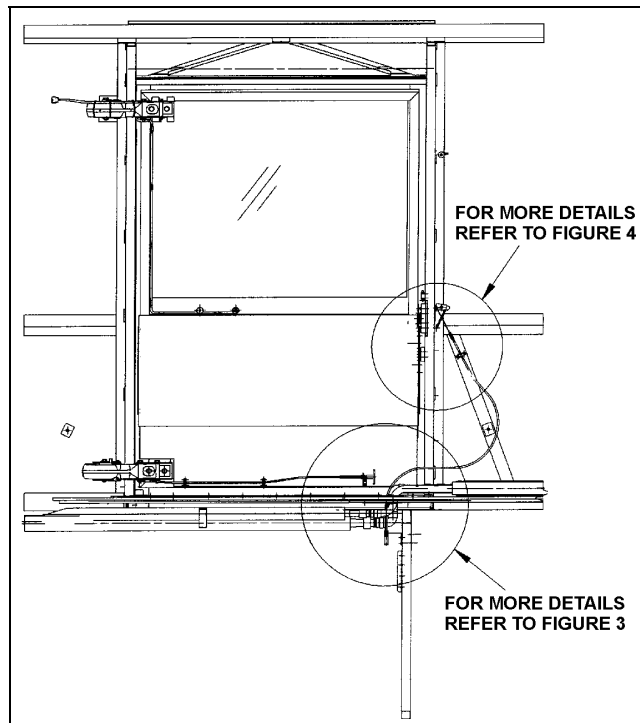


FIGURE 2: OPENING MECHANISM

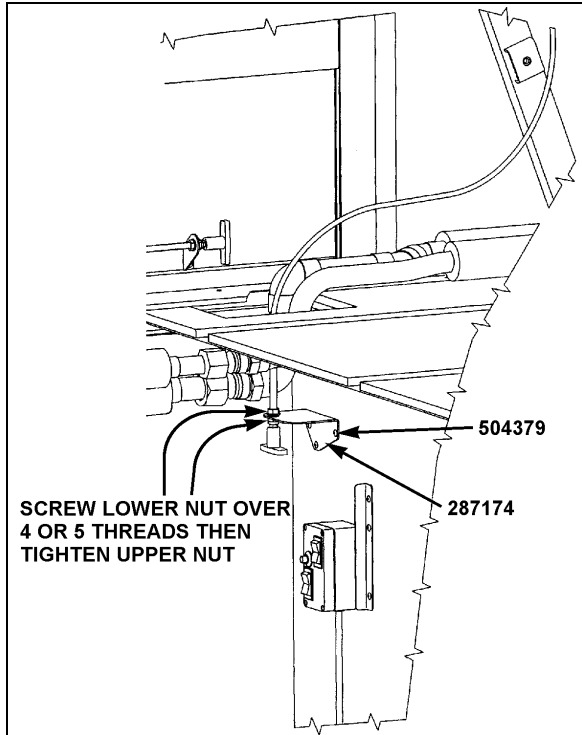


FIGURE 3 : HANDLE AND SUPPORT

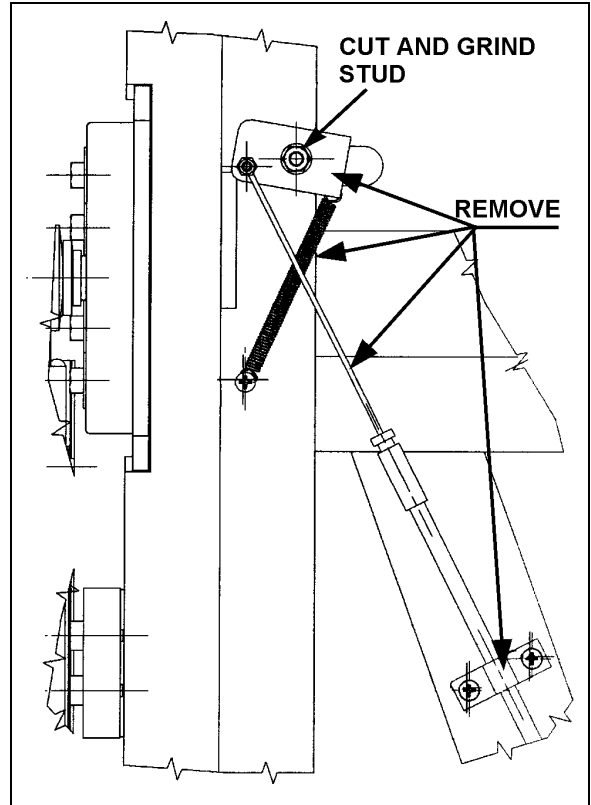


FIGURE 4 : FORMER INSTALLATION

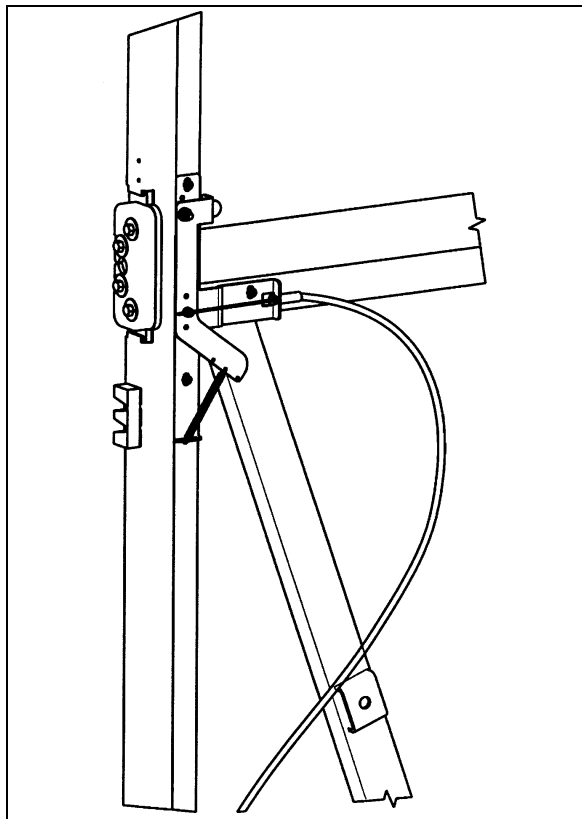


FIGURE 5 : NEW INSTALLATION

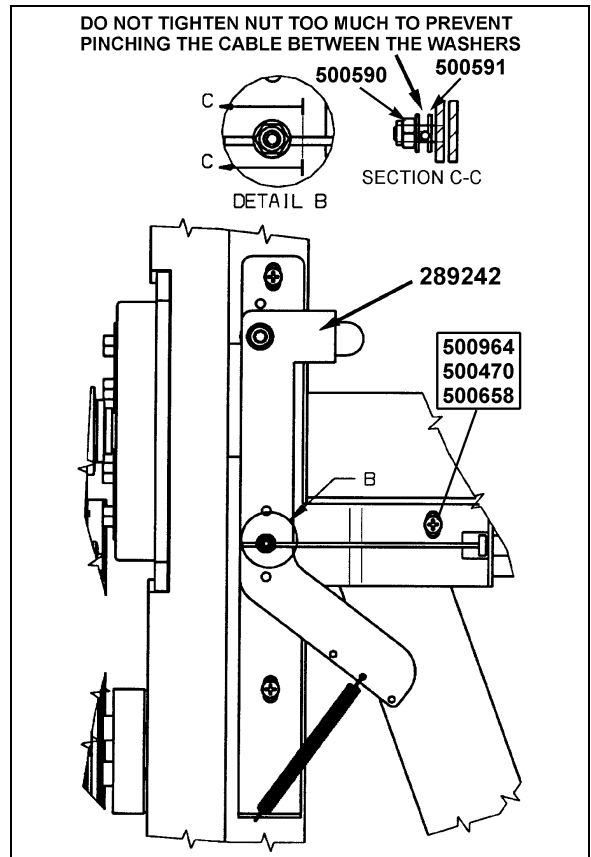


FIGURE 6 : DETAILS OF NEW MECHANISM

5. Cut interior lateral panel as indicated in figure 7 then reinstall interior finishing trim.

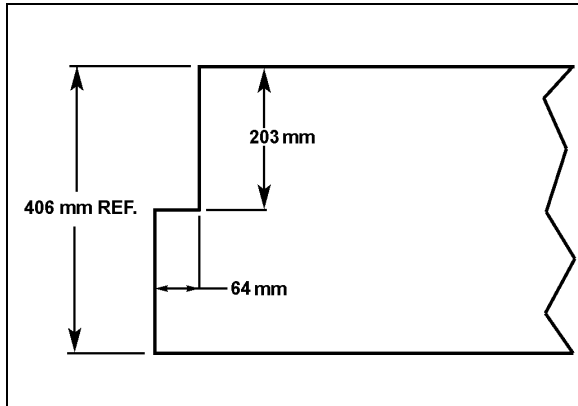


FIGURE 7: CUTTING LATERAL PANEL