

PREVOST

Instruction Sheet

IS-02112

INSTALLATION OF A NEW TEMPORIZER RELAY FOR THE TOILET FLUSHING MECHANISM

MATERIAL

Kit #065896 (XL, XLII, H3 & H5 series with one toilet flush push button) includes the following parts:

Part No.	Description	Qty
382039	Temporizer relay, toilet flushing mechanism	1
402744	Decal, English	1
405414	Decal, English/French	1
403040	Trim	1
500120	Screw, self tapping binding head Phillips SS #6 X 1/2	2
500148	Screw, machine round head Phillips SS #6-32 X 1/2	2
502691	Washer, lock split	2
560784	Heat shrinking sleeve, 1" long	1
561539	Tab terminal receptacle	2
561540	Tab terminal	1
561663	Male contact pin	1
562019	Female contact pin	1
562587	Wire 18GA black 9' long, 0H circuit	1
IS-02112	Instruction Sheet	1
FI-02112	Feuille d'instructions	1

Kit #065897 (H3 series with two toilet flush push buttons) includes the following parts:

Part No.	Description	Qty
382030	Temporizer relay, toilet flushing mechanism	1
065883	Harness, toilet compartment	1
065882	Harness, engine compartment	1
403040	Trim	1
500120	Screw, self tapping binding head Phillips SS #6 X 1/2	2
500148	Screw, machine round head Phillips SS #6-32 X 1/2	2
502691	Washer, lock split	2

560784	Heat shrinking sleeve, 1" long	1
561690	Connector	1
561783	Plug	2
562482	Socket, Deutsch	1
IS-02112	Instruction Sheet	1
FI-02112	Feuille d'instructions	1

Kit #065898 (XLII series with two toilet flush push buttons) includes the following parts:

Part No.	Description	Qty
382030	Temporizer relay, toilet flushing mechanism	1
402744	Decal, English	1
405414	Decal, English/French	1
403040	Trim	1
500120	Screw, self taping binding head Phillips SS #6 X 1/2	2
500148	Screw, machine round head Phillips SS #6-32 X 1/2	2
502691	Washer, lock split	2
560784	Heat shrinking sleeve, 1" long	1
561539	Tab terminal receptacle	1
561540	Tab terminal	1
065899	Harness, 14B circuit	1
IS-02112	Instruction Sheet	1
FI-02112	Feuille d'instructions	1

PROCEDURE

Warning : Park vehicle safely, apply parking brake, stop engine and set battery master switch(es) to the OFF position prior to working on the vehicle.

H SERIES VEHICLES

1. Inside the toilet compartment, remove the flushing mechanism access panel (figure 1) and remove the existing pneumatic temporizer on the vehicle. Disconnect circuit 14 & 14A from the pneumatic temporizer.
2. Drill 4 holes as shown on figure 3.
3. Using #500120 screws and #502691 washers, install the new temporizer relay as shown on figure 4.
4. From the inside, insert the push button in the existing hole. From the outside, place the trim and fix it together with the push button using #500148 screws. Place a decal if required.

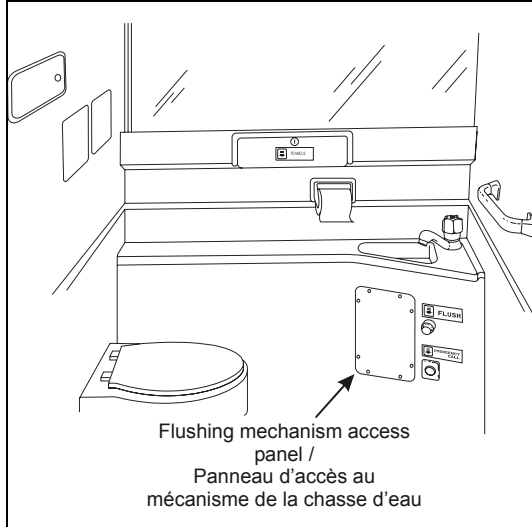


FIGURE 1 : TOILET COMPARTMENT H3 (XL2 SIMILAR)

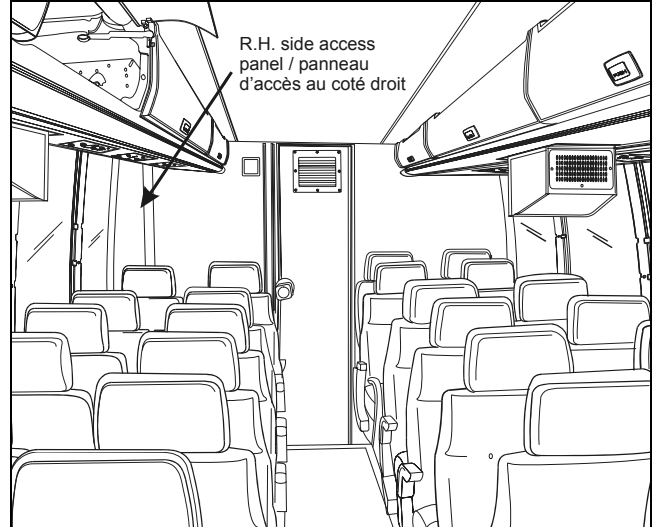


FIGURE 2 : R.H. SIDE ACCESS PANEL H3 SERIES

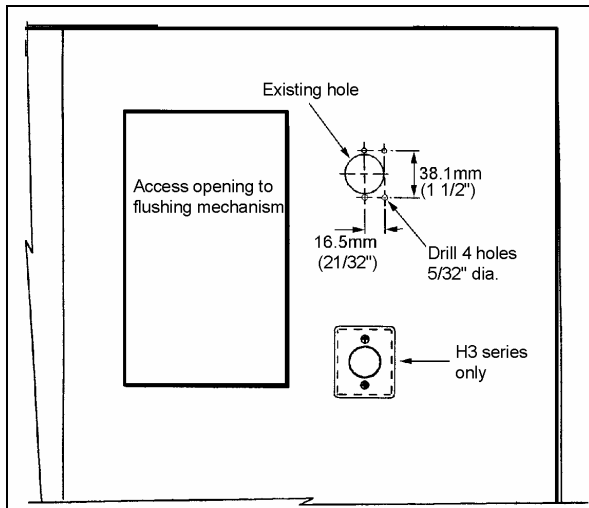


FIGURE 3 : DRILL 4 HOLES

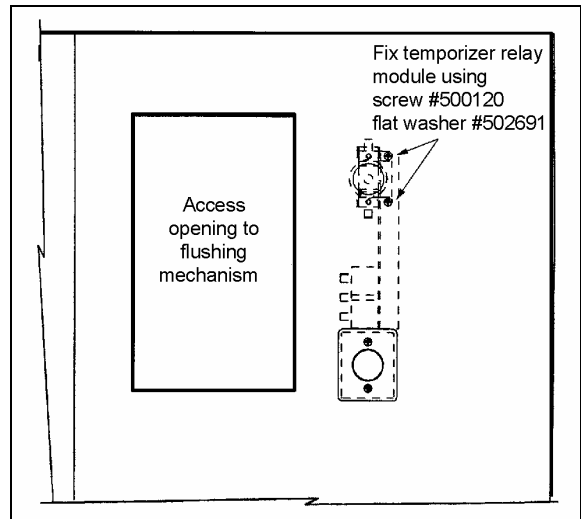


FIGURE 4 : TEMPORIZER RELAY INSTALLATION

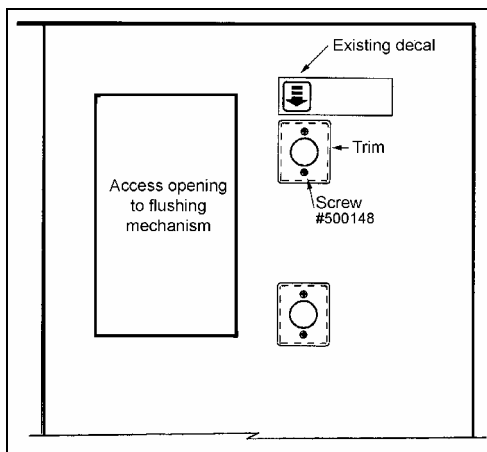


FIGURE 5 : PUSH BUTTON INSTALLATION (H SERIES)

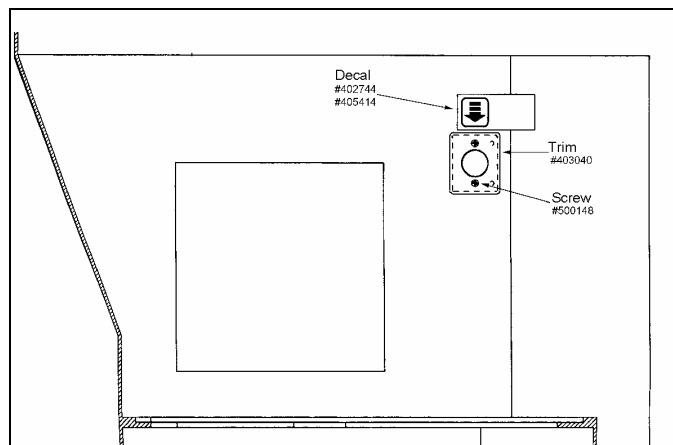


FIGURE 6 : PUSH BUTTON INSTALLATION (XL, XLII SERIES)

H5 series (figure 9)

7. Crimp the new terminals and connect the wires as shown in figure 9.

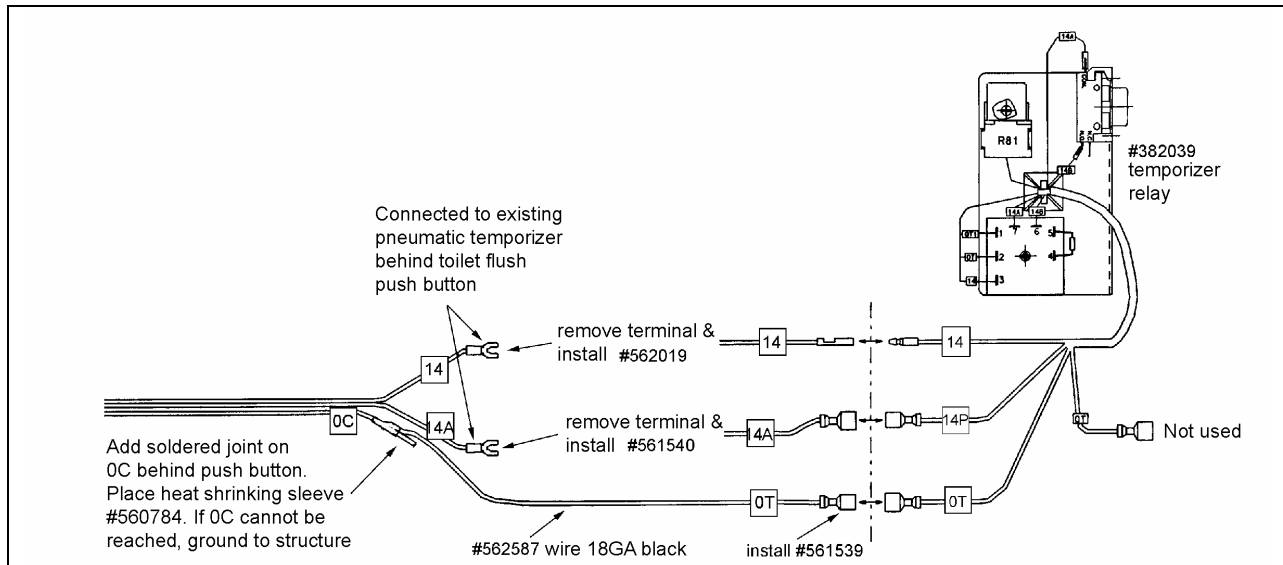


FIGURE 9 : H5 SERIES

H3 series with two toilet flush push buttons (figure 10)

8. Open the R.H. side access panel (figure 2). Route harness #065882 up to the engine compartment. In the engine compartment, over the septic tank, unplug connector C126 and plug to connector C126 & C126B of harness #065882. Unplug engine compartment toilet flush push button connector C56 and plug to C56 from new harness #065882. Place the connector housing #561690 with two #561783 plugs on the remaining C56 connector as shown in figure 10.
9. Plug connector C112 from harness #065883 to harness #065882. Route harness #065883 up to flushing mechanism. For the routing purposes, remove the garbage can and the lower access panel (if there is one). Pass a fish wire from the flush mechanism opening access up to the lower access or R.H. side access.
10. Located wire 14 & 14A and remove the terminals. Insulate wire 14A using the heat shrinking sleeve. Install terminal #562482 on wire 14 and insert into housing of connector C104 of harness #065883. Connect the wires as shown in figure 10.

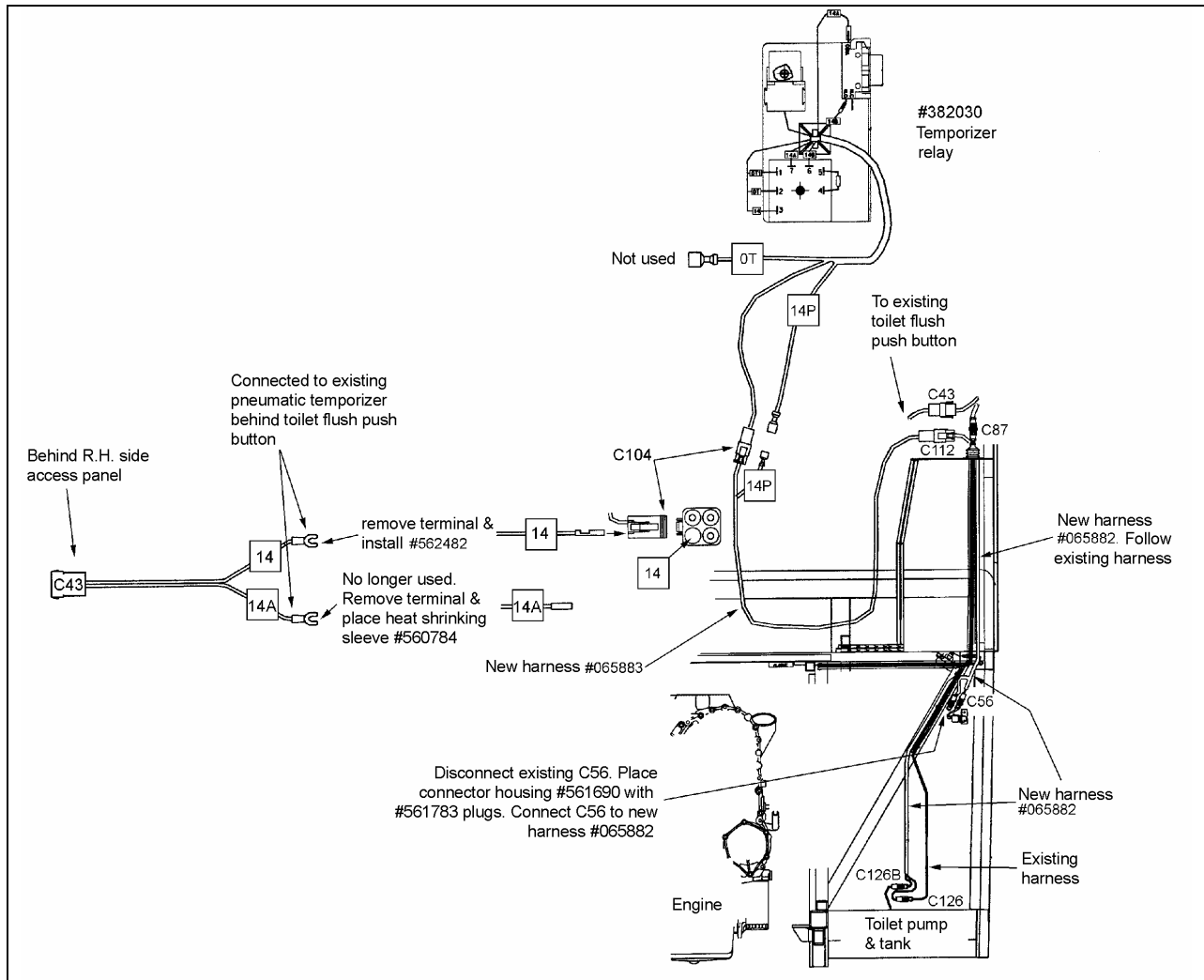


FIGURE 10 : H3 SERIES, WITH 2 TOILET FLUSH PUSH BUTTONS – R.H. SIDE OF ENGINE COMPARTMENT, SEEN FROM THE REAR.

XL AND XLII SERIES VEHICLES

1. Inside the toilet compartment, remove the flushing mechanism access panel (figure 1) and remove the existing pneumatic temporizer on the vehicle. Disconnect circuit 14 & 0 from the pneumatic temporizer.
2. Drill 4 holes as shown on figure 3.
3. Using #500120 screws and #502691 washers, install the new temporizer relay as shown on figure 4.
4. From the inside, insert the push button in the existing hole. From the outside, place the trim and fix it together with the push button using #500148 screws. Place a decal if required.

XL, XLII series, up to 3-8020 (figure 11)

5. Crimp the new terminals and connect the wires as shown in figure 11.

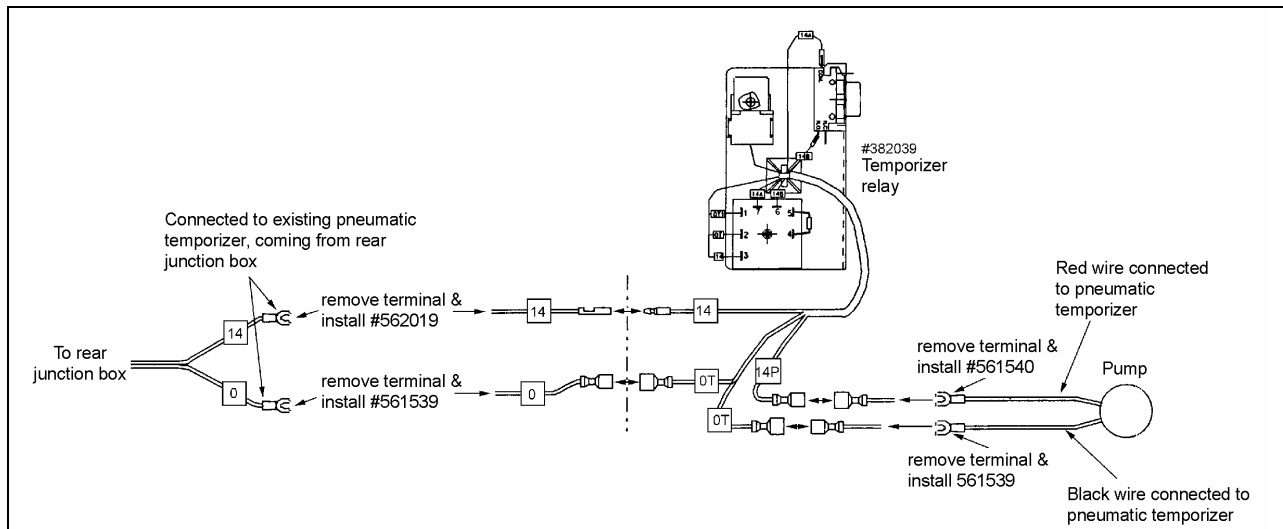
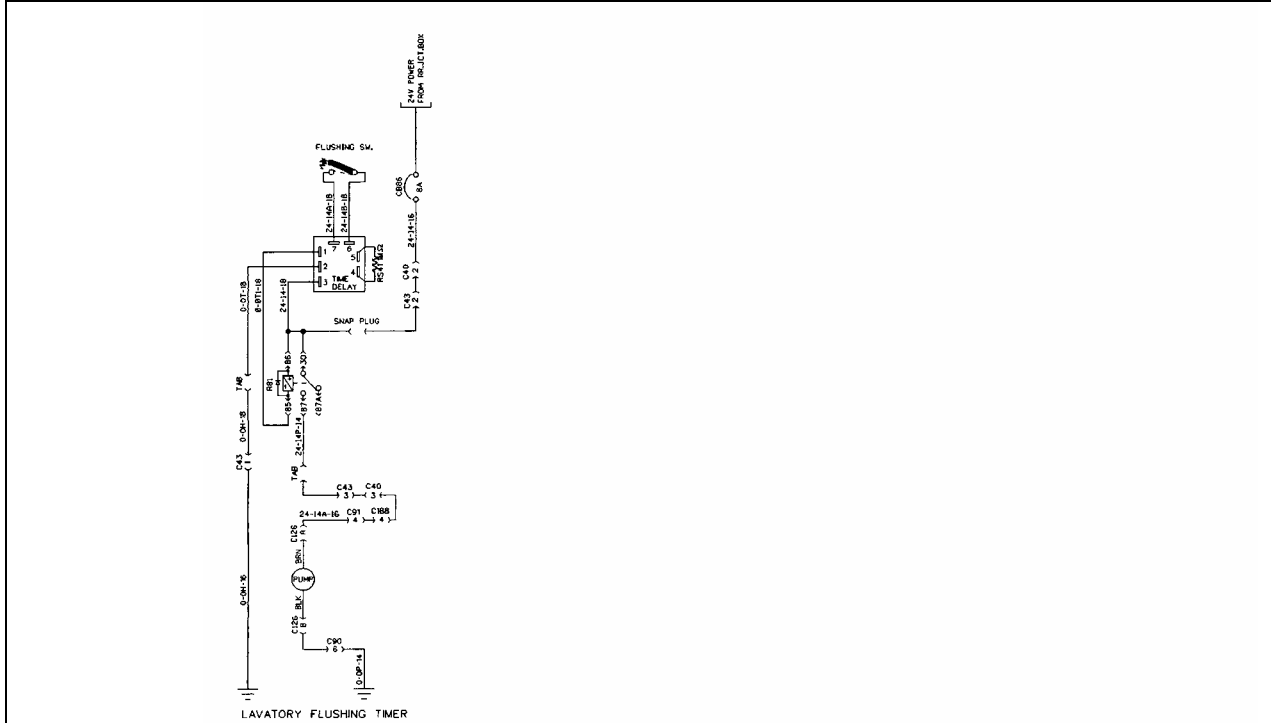


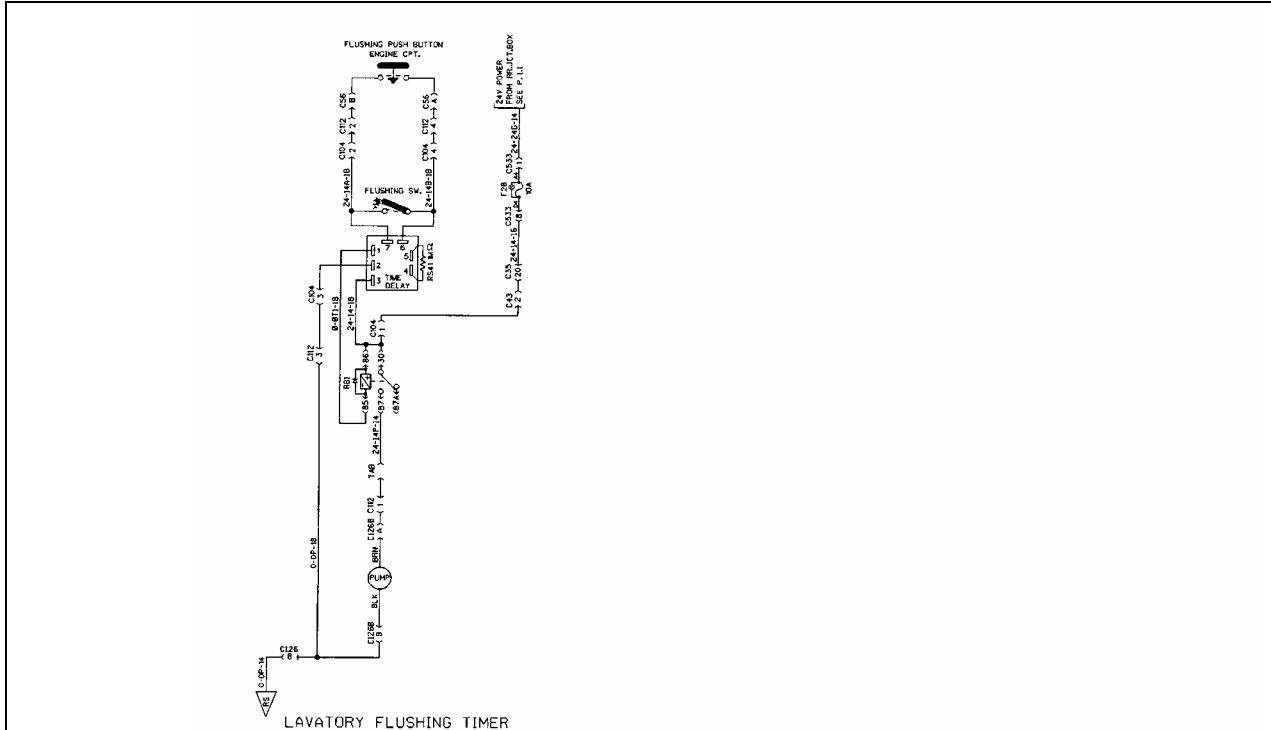
FIGURE 11 : XL, XLII SERIES, UP TO 3-8020

XLII series, with 2 toilet flush push button (figure 12)

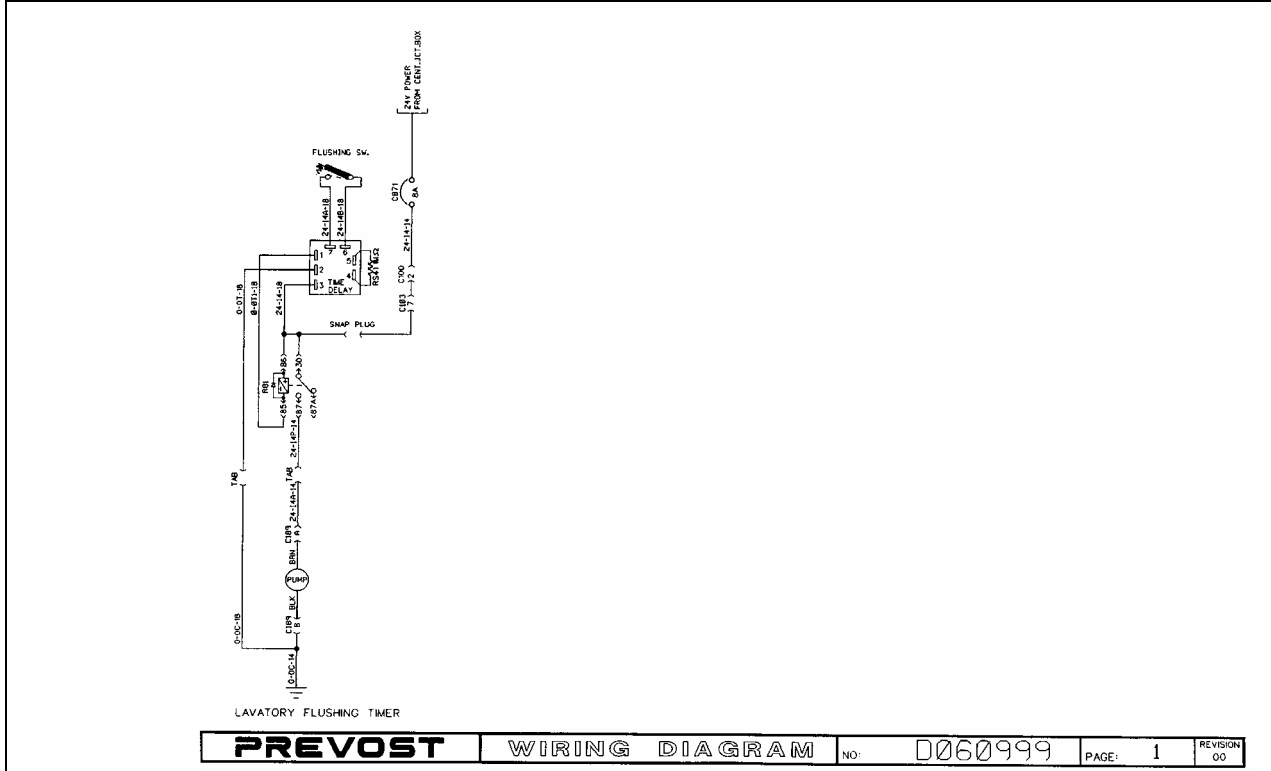
6. Inside the engine compartment, unplug connector C107 near the toilet flush push button. Take out wire 14, remove the terminal and insulate with heat shrinking sleeve #560784. Insert harness #065899 terminal into C107, position A and route the other terminal up to C104 near the toilet flush mechanism. For the routing purposes, insert a fish wire through the grommet located on the wall behind the air filter casing.
7. Insert the other terminal of harness #065899 inside C104 housing. Connect C104 to temporizer relay module.
8. Crimp the new terminals and connect the wires as shown in figure 12.



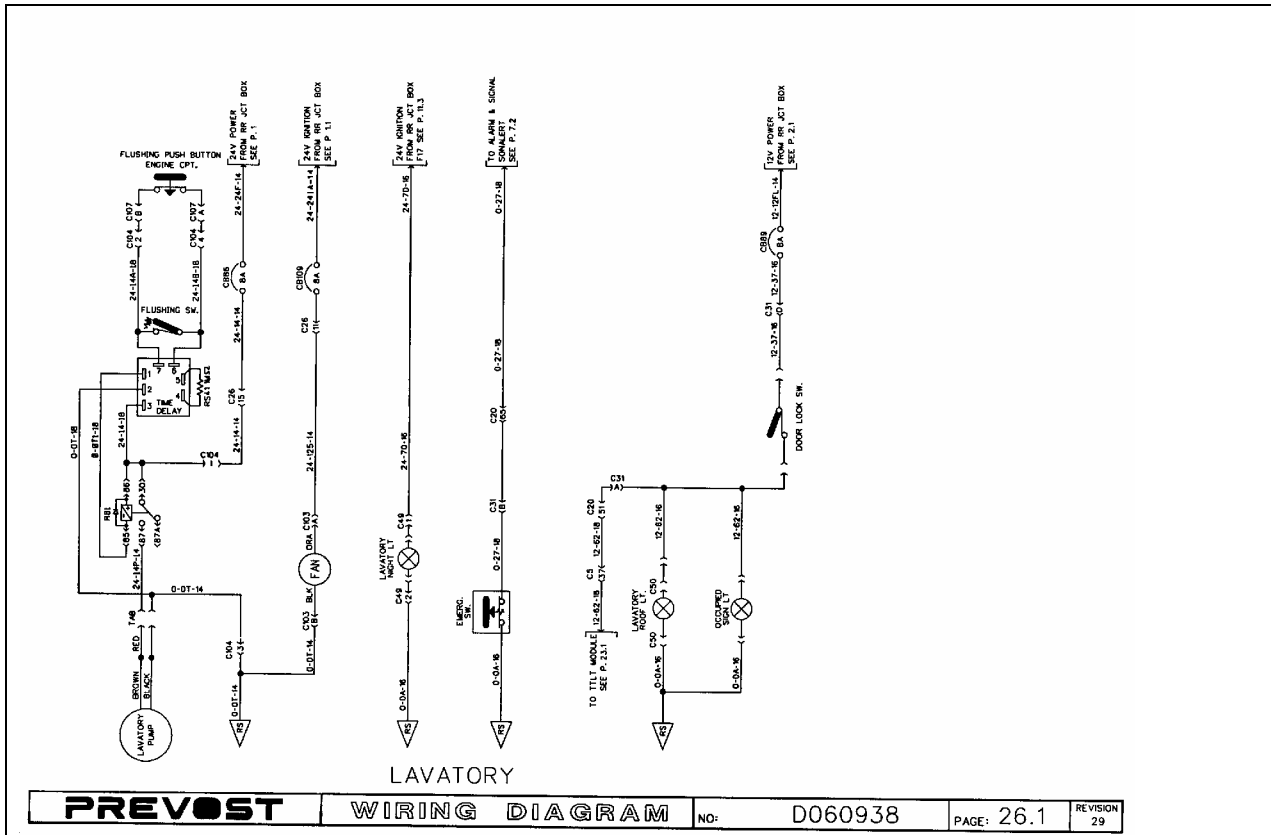
WIRING DIAGRAM D060997 : H3 SERIES, WITH 1 TOILET FLUSH PUSH BUTTON



WIRING DIAGRAM D060998 : H3 SERIES, WITH 2 TOILET FLUSH PUSH BUTTONS



WIRING DIAGRAM D060999 : H5 SERIES, WITH 1 TOILET FLUSH PUSH BUTTON



WIRING DIAGRAM D060938 : XLII SERIES, WITH 2 TOILET FLUSH PUSH BUTTONS