

PREVOST

ENREGISTRÉ - REGISTERED
ISO 9001 & ISO 14001

**WARRANTY
BULLETIN**

Wb02-02



DATE : January 2003	SECTION : 06 - Electrical
EXPIRATION: January 2004	
SUBJECT : NEW POWER CABLE SUPPORT FOR 50DN DELCO ALTERNATOR	

APPLICATION

Model	VIN
XL-45 Entertainer Model Year: 1993 - 2000	From 2P9E33495P <u>1001656</u> up to 2PCE33492Y <u>1027028</u> incl.
XL2-45 Entertainer Model Year: 2000 - 2002	From 2PCY33492Y <u>1027026</u> up to 2PCY33490 <u>21027887</u> incl.
H3-45 VIP Model Year: 1999 - 2003	From 2PCV33499X <u>1013061</u> up to 2PCV33497 <u>31014459</u> incl.

DESCRIPTION

On the above-mentioned vehicles, it is necessary to modify the power cables method of fixation in order to improve strength and for better cable positioning.

MATERIAL

Kit #065696 includes the following parts :

Part No.	Description	Qty
065701	Power cable (No 102)	1
065729	Ground cable (No ODG)	1
504637	Tie, Cable	6
065693	Support, SS	1
504703	Clamp, Hold-down 2-piece	1
504614	Plate, Retainer	1

500170	Bolt, hex ¼ x 20 2 inch long	2
500476	Washer, Lock 5/16" ZP	2
500191	Bolt, 3/8"	1
500478	Washer, Lock	1
509815	Clamp, Wire (fir tree type)	1
952631	Clamp, ¾"	1
952633	Clamp, 7/8"	4
500574	Screw	3
500964	Washer, Flat	2
500470	Washer, Lock	3
500786	Nut	3

Note : Material can be obtained through regular channels.

PROCEDURE

Warning : Park vehicle safely, apply parking brake, stop engine and set battery master switch(es) to the OFF position prior to working on the vehicle.

Removal

1. Remove the former holding clamps from rear of alternator and any wire or clamp securing the DC cable.
2. Remove the DC power cable from the starter and alternator.

Installation

Note : For the following installation, refer to figures 1, 2 and 3.

1. Install stainless steel support at the back of the alternator. Use alternator cap screws to secure support. If cap screws are too short, use two 1" or 7/8" cap screws with lockwashers. Do not over tighten as the housing may crack, torque the screws to 60-85 lb-inch.
2. Check the condition of the alternator stud post, clean as required. Install new DC power cable first on the alternator stud post then on the starter post before any clamping or securing to ensure that there is no tension at the terminal ends.
3. Install 2-piece hold-down clamp and retainer plate but do not tighten.
4. Fasten the cable end of the alternator stud post first then the two bolts on the 2-piece hold-down clamp using a small amount of "anti-seize".
5. Connect wire #107 and # 25 to relay stud post, secure wires using wire clamp (fir tree type) then secure along power cable.
6. Check the starter post condition. Remove the battery cable and torque the inner nut to 20 lb-ft. Position the battery cable at 5 o'clock when facing the starter, install two copper washers or one lockwasher. Position the alternator DC cable end on the starter side at 3 o'clock when facing the starter. Torque nut to 27 lb-ft. Secure cable with ties and proper clamps along the cable where applicable. Make sure cable is not chafing against any part of the vehicle that may cause damage to cable. Make sure that there is no tension pulling on the alternator stud post and that the cable is secure in the hold-down clamp.

Note: Make sure that both cable ends are flush with the bottom of each post to ensure full contact.

7. Install ground cable. The ODG ground cable attaches from the top face of the alternator to the chassis ground post stud. This ground post stud is located in the engine compartment, on the chassis R.H. side.

Note: Make sure the alternator mounting bolts are tight as these bolts are used as the primary ground.

8. Apply protective coating on DC cable ends and battery cable ends. If corrosion is present, it must be cleaned off and a protective coating added.

WARRANTY

This modification is covered by Prévost Car's normal warranty. We will reimburse you the parts and one hour and a half (1.5) of labor upon receipt of a completed A.F.A. form on which you must specify as per "Warranty Bulletin 02-02".

Parts / Waste disposal:

Discard waste according to applicable environmental regulations (Municipal/State[Prov.]/ Federal)

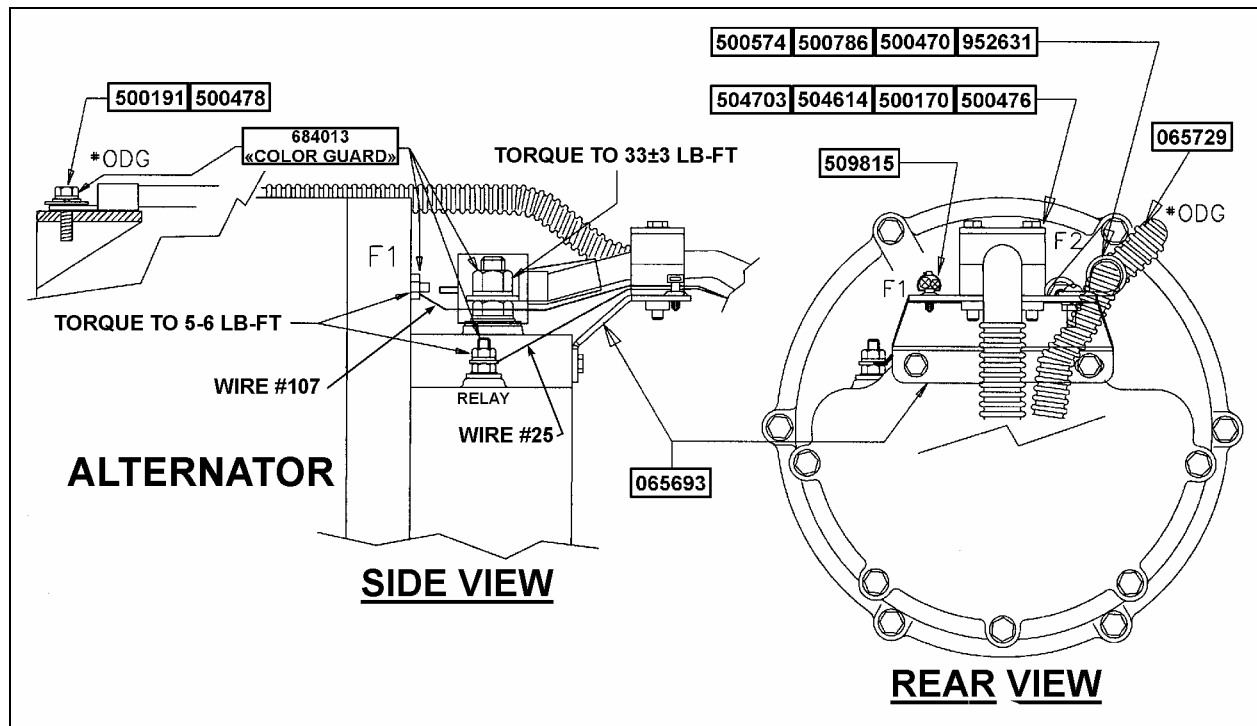


FIGURE 1

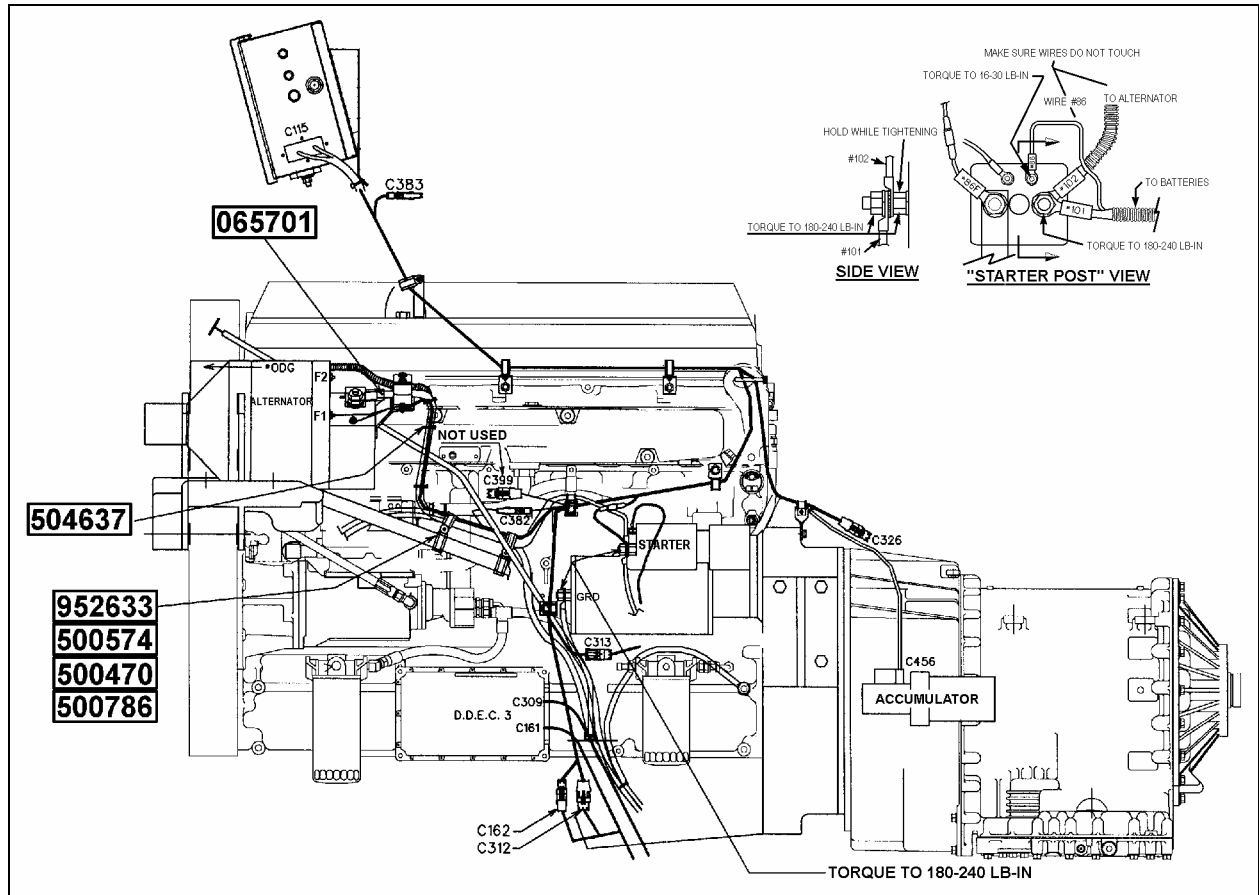


FIGURE 2: XL2

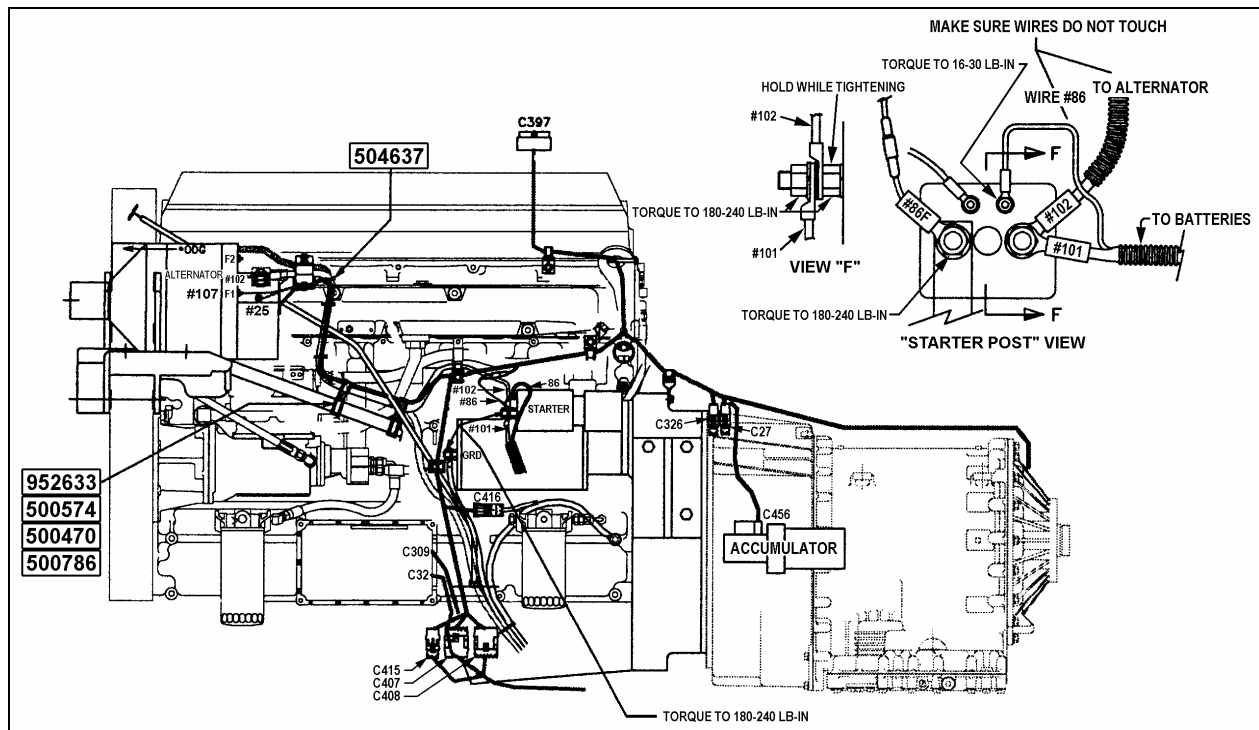


FIGURE 3: H3