

**PREVOST**

ENREGISTRÉ - REGISTERED  
ISO 9001 & ISO 14001


**WARRANTY  
BULLETIN**

Wb02-18



DATE : January 2003	SECTION :	18 - Body
EXPIRATION: January 2003		
SUBJECT : MODIFICATIONS TO FRONT BUMPER LOWERING MECHANISM		

**APPLICATION**

Model	VIN
H3-45 Coaches Model Year : 2003	 2PCH3349631014420, 2PCH3349831014421, 2PCH3349531014425, 2PCH3349931014427, 2PCH3349231014429, 2PCH3349631014434, 2PCH3349831014435.
VIP-45 Model Year : 2003	2PCV3349231014417, 2PCV3349431014418, 2PCV3349631014422, 2PCV3349X31014424, 2PCV3349331014426, 2PCV3349731014428, 2PCV3349731014431.

**DESCRIPTION**

On the above-mentioned vehicles, modifications must be performed on front bumper lowering mechanism. Spring tension is increased and two parts of mechanism are modified in order to improve reliability.

**MATERIAL**

Part No.	Description	Qty
410984	Spring, L.H. side	1
410983	Spring, R.H. side	1
287391	Bolt, Latch	1
410927	Guide	1
410982	Decal, (coaches only)	1

**Note :** Material can be obtained through regular channels.

## PROCEDURE

**Warning :** Park vehicle safely, apply parking brake, stop engine and set battery master switch(es) to the OFF position prior to working on the vehicle.

1. To access the spare wheel compartment, pull on the release handle located in the front electrical and service compartment, near the lower door hinge.
2. The bumper will lower gradually.

**Warning:** Front bumper weighs approximately 180 lbs. (80 kg). Use proper lifting equipment to support the bumper during the removal and installation operations to avoid personal injury.

**Note:** Although powerful springs assist in reclining the bumper and permit one-man operation, it remains heavy and rests low when open. Caution should be used when reclining.

**Warning:** This compartment is not designed for miscellaneous storage. Never store loose objects in this compartment because they can interfere with the steering linkage mechanism.

3. Remove L.H. side spring (400). Using proper tool, relieve spring tension on one locking pin (402) and remove it. Slowly release spring tension and remove the second locking pin. The spring is free (refer to figure 1).

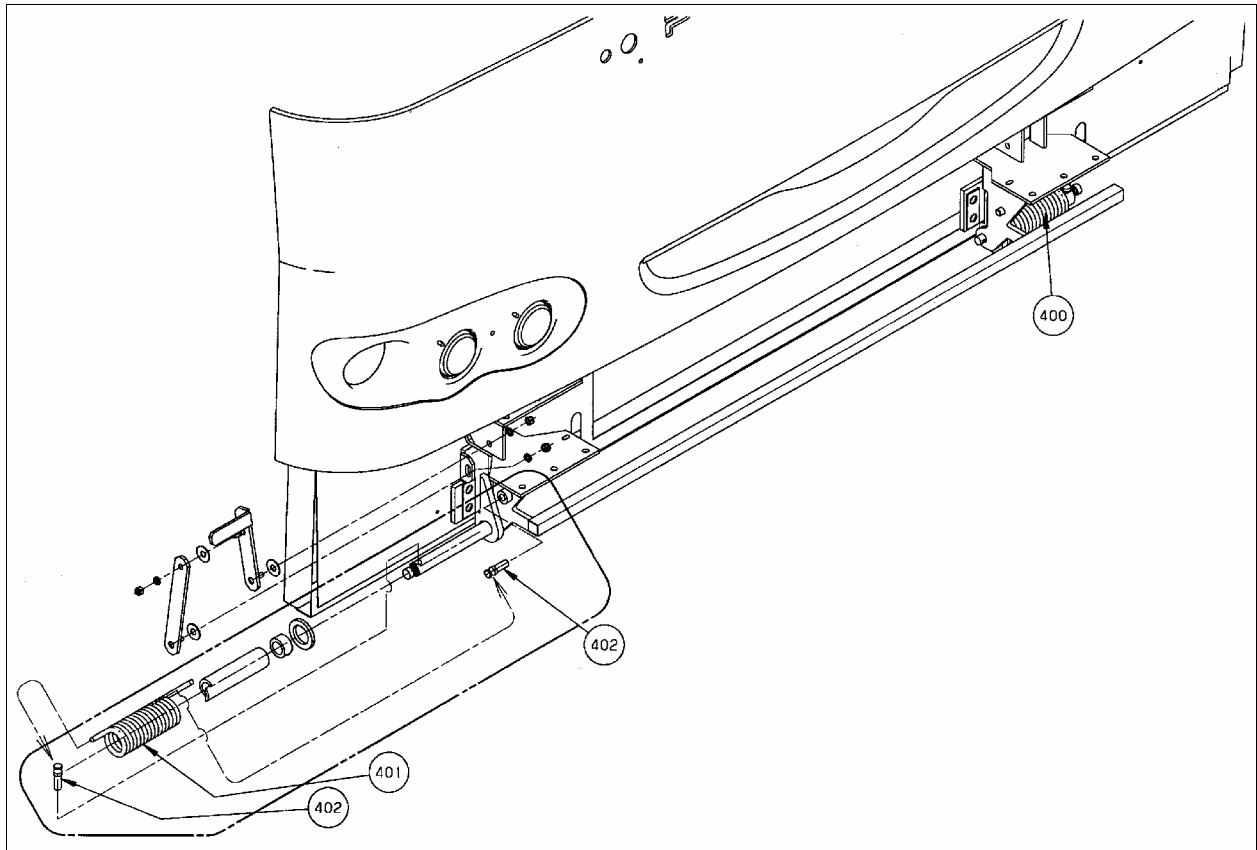


FIGURE 1

4. Install new spring (410 984).
5. Repeat procedure for the other spring (410983).

**Note:** A special tool kit is available from Prévost Car Inc: Kit # 410671 including tool #410708.

6. Once springs have been replaced, remove lowering mechanism protective cover (500).

- Unfasten screw (503) and nut (513) to separate release cable (519) from latch-bolt (507) (refer to figure 2).

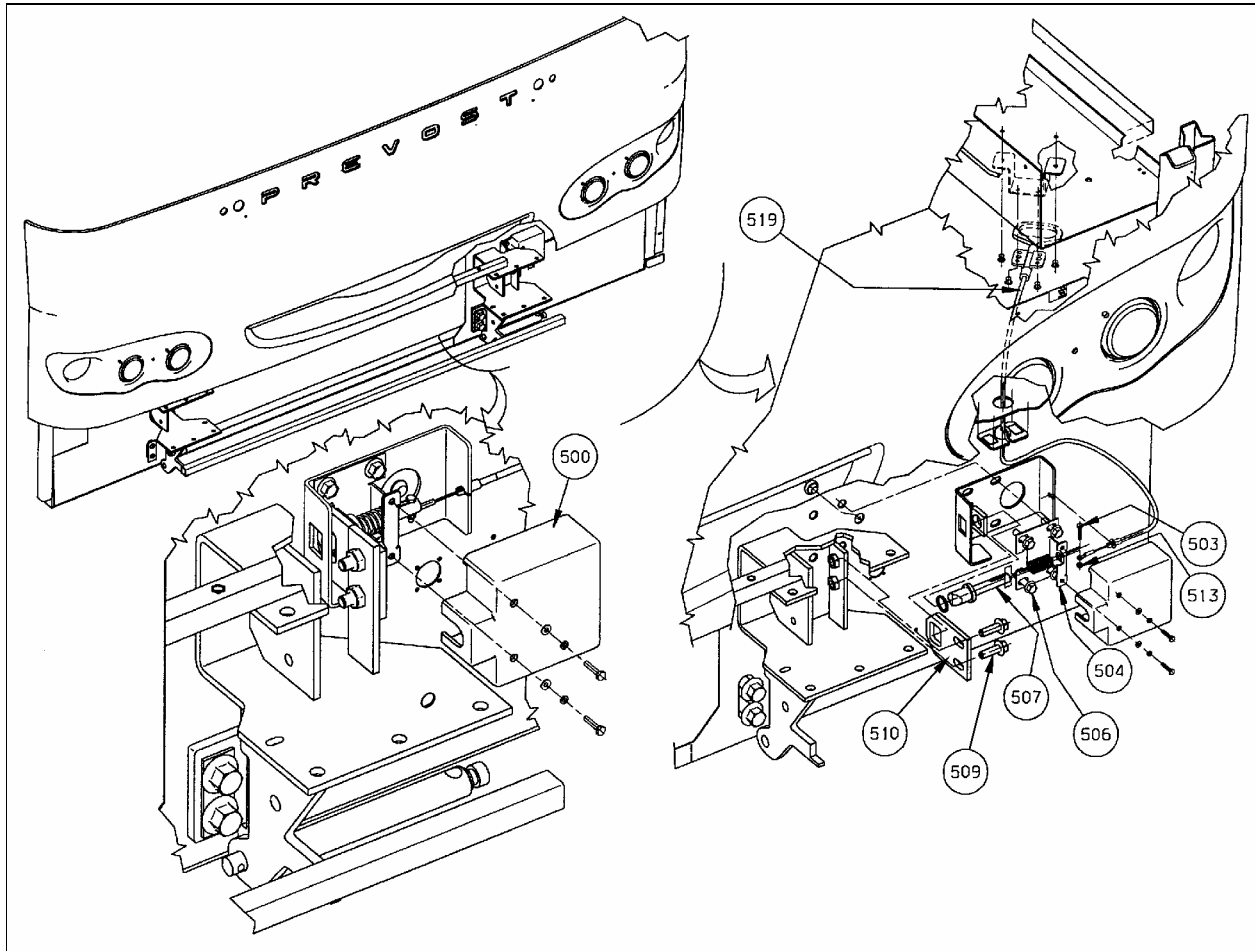


FIGURE 2

- Unfasten the four bolts (506) fixing the latch-bolt guide (504).
  - Install new guide (410927) and new latch-bolt (287391)
- Note:** Make sure bumper closes properly. If this is not the case, unfasten two bolts (509) and adjust plate (510).
- Reinstall lowering mechanism protective cover (500).
  - For coaches only, install decal (410982) inside front bumper as per figure 3.

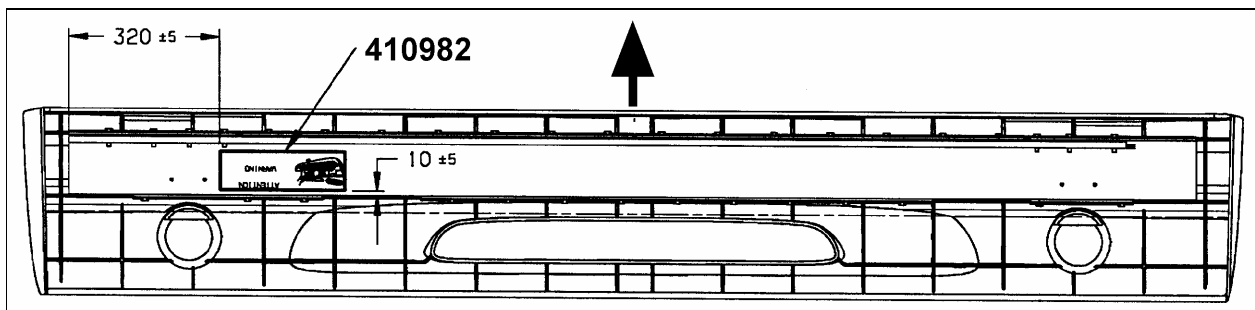


FIGURE 3

- When closing the compartment, be sure the bumper is firmly in place.



FIGURE 4

## WARRANTY

This modification is covered by Prévost Car's normal warranty. We will reimburse you the parts and one hour (1.0) of labor upon receipt of a completed A.F.A. form on which you must specify as per "Warranty Bulletin 02-18".

## Parts / Waste disposal:

Discard waste according to applicable environmental regulations (Municipal/State[Prov.]/ Federal)