

PREVOST

ENREGISTRÉ - REGISTERED
ISO 9001 & ISO 14001

**WARRANTY
BULLETIN**

Wb03-08



DATE : MARCH 2003	SECTION :	18 - Body
EXPIRATION: MARCH 2005		
SUBJECT : INSTALLATION OF A DECAL INDICATING TO WATCH YOUR STEP		

APPLICATION

Model	VIN
XL2-45 Coaches Model Year : 2000 - 2003	From 2PCX33495Y1026951 up to 2PCX3349031028129 incl.



DESCRIPTION

On the above-mentioned vehicles, a new decal must be installed inside the coach near the ceiling to increase passengers' safety. Order the required quantity of plates and decals then install.

MATERIAL

Part No.	Description	Qty
405425	Plate	1
404636	Decal, "WATCH YOUR STEP"	1
404637	Decal, Bilingual "ATTENTION À LA MARCHÉ / WATCH YOUR STEP"	1

Note : Material can be obtained through regular channels.

PROCEDURE

Warning : Park vehicle safely, apply parking brake, stop engine and set battery master switch(es) to the OFF position prior to working on the vehicle.

- Center and affix decal onto smooth side of plate.
- Install plate c/w unilingual decal (404636) or bilingual decal (404637) onto video monitor or ceiling transition molding as per figure 1.

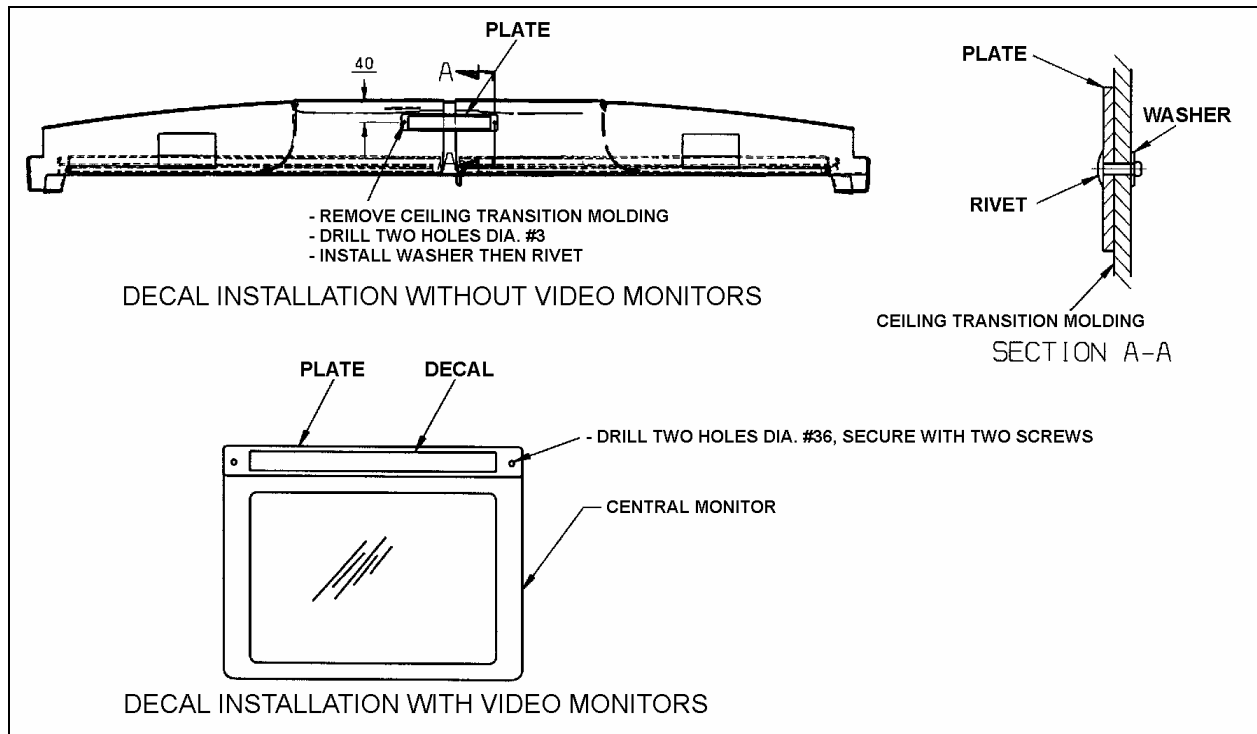


FIGURE 1

WARRANTY

This modification is covered by Prévost Car's normal warranty. We will reimburse you the parts and ¼ hour (0.25) of labor upon receipt of a completed A.F.A. form on which you must specify as per "Warranty Bulletin 03-08".

Parts / Waste disposal:

Discard waste according to applicable environmental regulations (Municipal/State[Prov.]/ Federal)