

PREVOST

ENREGISTRÉ - REGISTERED
ISO 9001 & ISO 14001

**WARRANTY
BULLETIN**

Wb04-05C



DATE : MARCH 2006	SECTION : 05 - Cooling
EXPIRATION: MARCH 2008	
SUBJECT : REPLACEMENT OF THE BELT TENSIONER BELLOWS ATTACHMENT BRACKETS	

REVISION : C

In **APPLICATION**, for XLII-45 coaches, XLII-40 MTH & Entertainers, bulletin begins with vehicle 5-8393 instead of 4-8165

APPLICATION

Model	VIN
H3-41, H3-45 coaches VIP motorhomes Model Year : 2004 - 2006	<p style="text-align: center;">Vehicles</p> <p>2PCH3349741014511 2PCV3349541014641 2PCV3349741014589 2PCH3349941014705</p> <p style="text-align: center;">and also</p> <p style="text-align: center;">from 2PCV3349441014758 up to 2PCH3349561010458 incl.</p>
XLII-45 coaches XLII-40 motorhomes Entertainer XLII-45 Model Year : 2005 - 2006	<p style="text-align: center;">From 2PCX3349251028393 up to 2PCY3349561028877 incl.</p>
XLII-45 motorhomes Model Year : 2004 - 2006	<p style="text-align: center;">Vehicles</p> <p>2PCW3349841027937 2PCW3349841028084 2PCW3349541028009</p> <p style="text-align: center;">and also</p> <p style="text-align: center;">from 2PCW3349X41028166 up to 2PCW3349861028878 incl.</p>

This bulletin does not necessarily apply to all the above-mentioned vehicles, some vehicles may have been modified before delivery. The owners of the vehicles affected by this bulletin will be advised by a letter indicating the Vehicle Identification Number (VIN) of each vehicle concerned.

DESCRIPTION

On the above mentioned vehicles, it is necessary to replace the air bellows attachment brackets by reinforced brackets. There is a risk of breakage of the existing attachment brackets, causing the radiator fan driving mechanism to hit the radiator and shroud. This would lead to the vehicle immobilization. The new attachment brackets are designed in order to reduce the risk of rubbing between the air bellows and the belts. Since the first release of bulletin Wb04-05 and Wb05-03, the involved parts have been improved and Prevost Car wishes that your vehicles be as safe and reliable as the ones being manufactured at the present time. For this reason, **all vehicles that were modified under Wb04-05, Wb04-05A and Wb05-03 must be redone.**

MATERIAL

H3-41, H3-45 & VIP, order the following parts:

Part No.	Description	Qty
052709	Bellows attachment bracket, engine side	1
052278	Bellows attachment bracket, gearbox side	1

XLII-45 MTH, order the following parts:

Part No.	Description	Qty
052707	Bellows attachment bracket, engine side	1
052621	Bellows attachment bracket, gearbox side	1

XLII-40 MTH & ENTERTAINER, order the following parts:

Part No	Description	Qty
052706	Bellows attachment bracket, engine side	1
052645	Bellows attachment bracket, gearbox side	1

XLII-45 Coaches, order the following parts:

Part No	Description	Qty
052708	Bellows attachment bracket, engine side	1
052644	Bellows attachment bracket, gearbox side	1

NOTE

Material can be obtained through regular channels.

PROCEDURE

WARNING

Park vehicle safely, apply parking brake, stop engine and set battery master switch(es) to the OFF position prior to working on the vehicle.

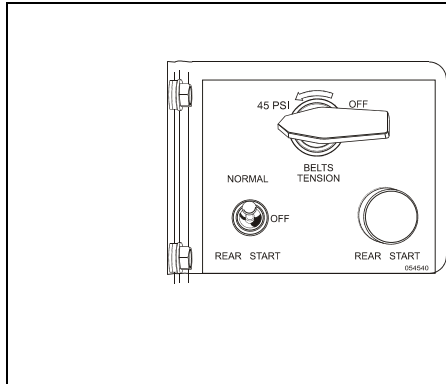


FIGURE 1: PRESSURE RELEASING VALVE H3 & VIP

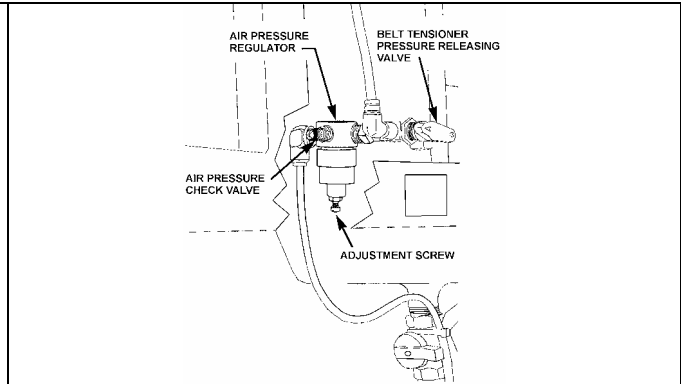


FIGURE 2: PRESSURE RELEASING VALVE XLII SERIES

1. Inside the engine compartment, release pressure from the air bellows by turning the belt tensioning pressure control valve handle to OFF (figure 1 & 2).
2. Disconnect the air lines and fittings from the bellows (figure 5 & 6).
3. Dismount the attachment brackets and bellows.
4. Check if the air bellows and belts were damaged as shown in figure 3, replace as needed.



FIGURE 3

5. Reinstall the bellows with the new attachment brackets. For mounting of the gearbox side attachment bracket, use the mounting holes indicated on figure 4. Tighten bolts as specified in figure 5 & 6.
6. Reinstall the fittings and connect the air hose. Use Teflon tape on threads.

7. Reapply the air pressure to the bellows. Check if the gap (see figure 7) between the stop and the plate at the top of the bellows is as specified.
8. If the gap is not as specified, release pressure from the bellows. Loosen the bolts on the gearbox side attachment bracket, adjust the position of the attachment bracket and then tighten the bolts. Reapply the air pressure and check the gap once again. Correct as necessary.

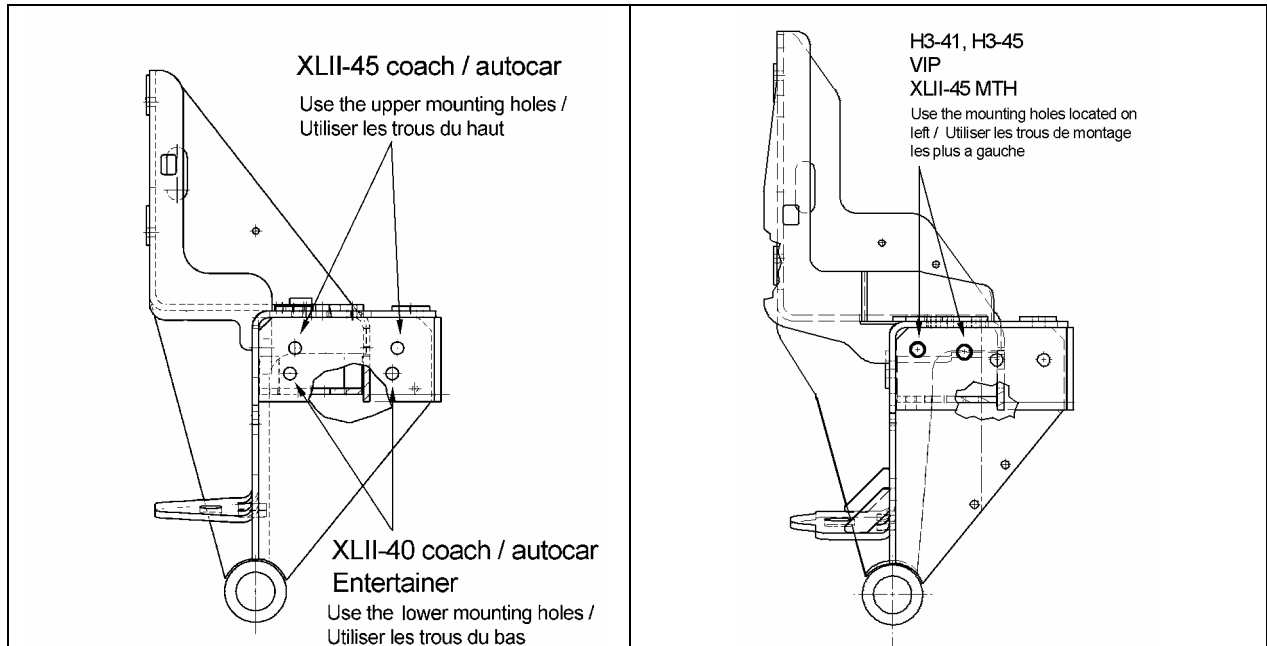


FIGURE 4 : MOUNTING HOLES

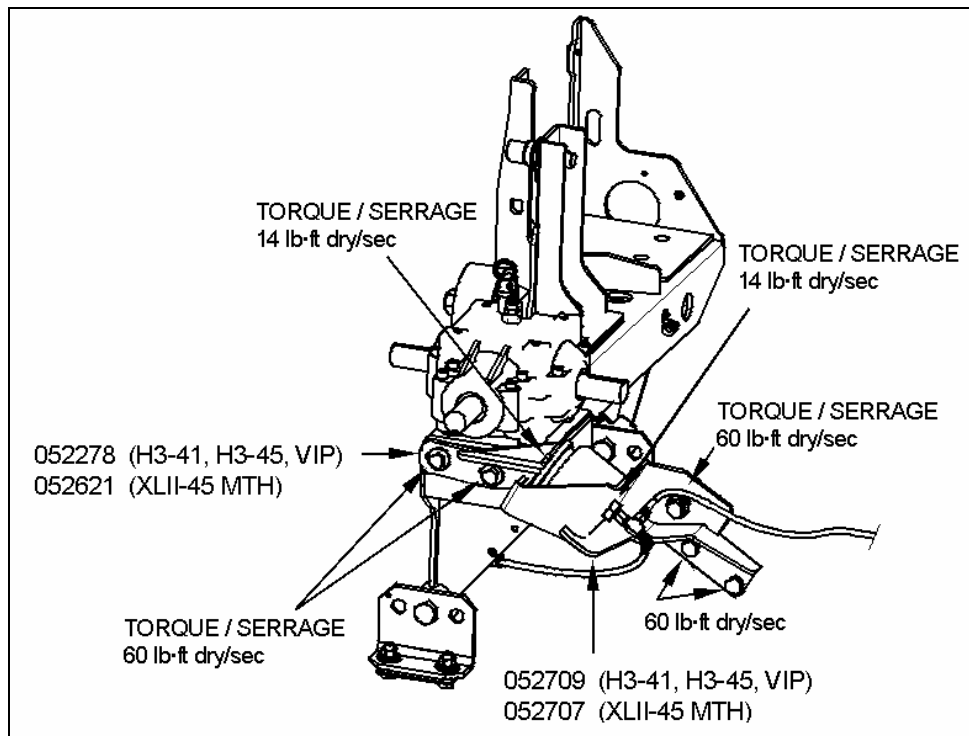


FIGURE 5: H3-41, H3-45, VIP & XLII-45 MTH

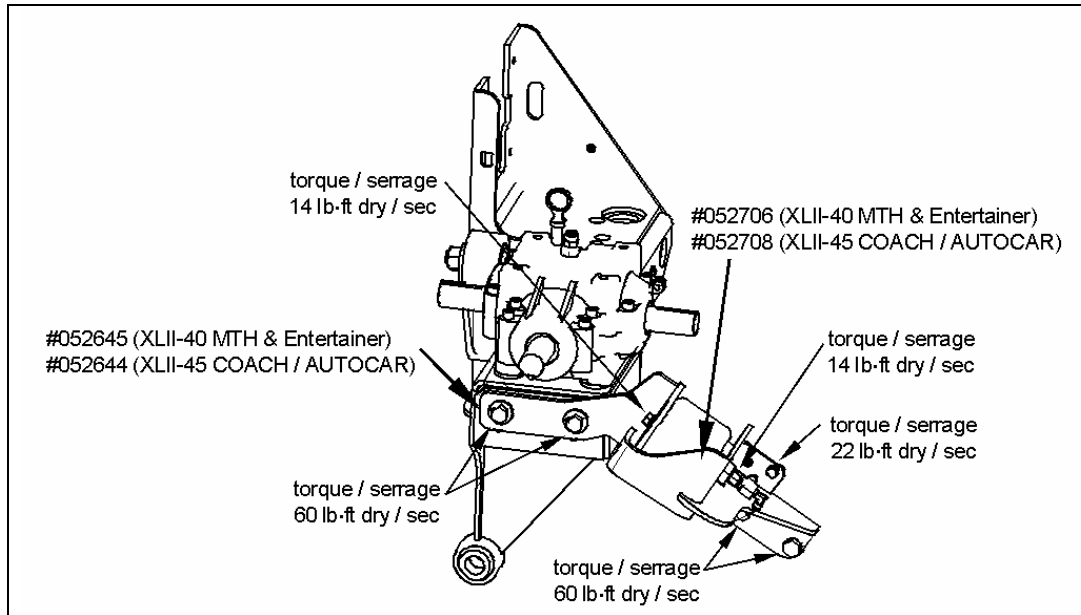


FIGURE 6: XLII-40 MTH, ENTERTAINER & XLII-45 COACHES

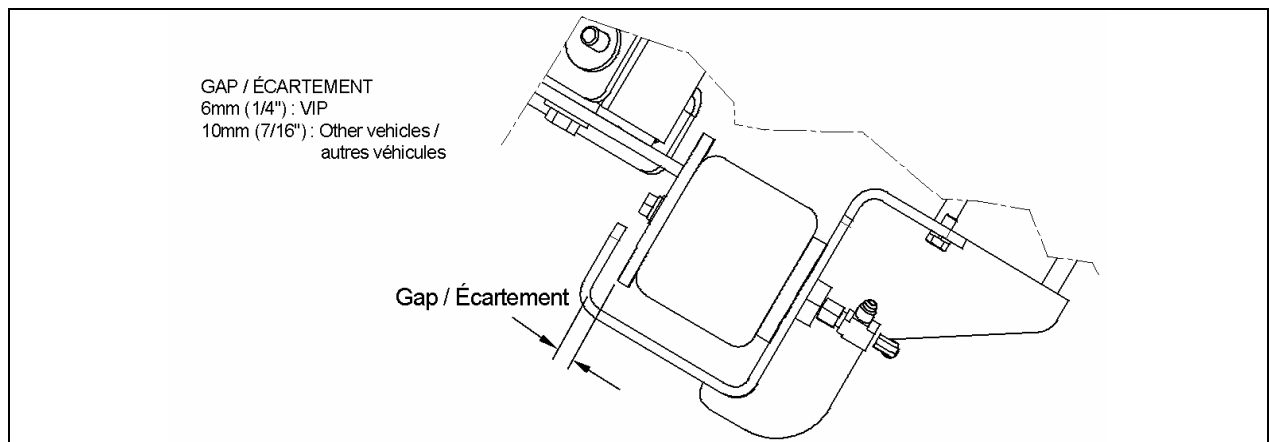


FIGURE 7: GAP MEASUREMENT

WARRANTY

This modification is covered by Prevostr Car's normal warranty. We will reimburse you the parts one hour (1.0) of labor upon receipt of a completed A.F.A. form on which you must specify as per "Warranty Bulletin 04-05C".

Parts / Waste disposal:

Discard waste according to applicable environmental regulations (Municipal/State[Prov.]/ Federal)