

PREVOST

ENREGISTRÉ - REGISTERED
ISO 9001 & ISO 14001


**WARRANTY
 BULLETIN**

Wb04-09



DATE : OCTOBER 2004	SECTION : 05 - Cooling
EXPIRATION: OCTOBER 2006	
SUBJECT : COPPER PIPING AND CONNECTOR REPLACEMENT AT WATER PUMP INLET	

APPLICATION

Model	VIN 
H3-45 VIP Model Year : 2004 - 2005	From 2PCV3349441014758 up to 2PCV3349951010061 incl. WITH THE EXCEPTION OF 2PCV3349841014889 - 2PCV3349641014910 - 2PCV3349341014928 2PCV3349441014937 - 2PCV3349X41014943 - 2PCV3349441014985 2PCV3349641014986 - 2PCV3349X41014991 - 2PCV3349541010010 2PCV3349741010011 - 2PCV3349041010013 - 2PCV3349641010016 2PCV3349841010017 - 2PCV3349051010028 - 2PCV3349051010031 2PCV3349251010032 - 2PCV3349651010034 - 2PCV3349851010035 2PCV3349151010037 - 2PCV3349151010040 - 2PCV3349751010043 2PCV3349251010046 - 2PCV3349851010049 - 2PCV3349851010052 2PCV3349351010055 - 2PCV3349551010056 - 2PCV3349051010059
XL2 MTH (W0 and WE) Model Year : 2004 - 2005	From 2PCY3349741028165 up to 2PCY3349751028491 incl. WITH THE EXCEPTION OF 2PCY3349251028379 - 2PCY3349351028472 - 2PCY3349251028477 2PCY3349651028479 - 2PCY3349251028480 - 2PCY3349651028482 2PCY3349351028486 - 2PCY3349551028487 - 2PCY3349751028491
<p>This bulletin does not necessarily apply to all the above-mentioned vehicles, some vehicles may have been modified before delivery. The owners of the vehicles affected by this bulletin will be advised by a letter indicating the Vehicle Identification Number (VIN) of each vehicle concerned.</p>	

DESCRIPTION

On the previously-mentioned vehicles, it is necessary to replace the connector as well as the copper piping at the water pump inlet due to the fact that the connector threads may crack and thus produce draining of the cooling system.

MATERIAL

Part No.	Description	Qty
373894	Adaptor, Water Pump Inlet	1
374135	Hose, 90° Elbow 1 3/8" I.D. (H3-45 VIP)	1
374136	Hose, 90° Elbow 1 3/8" I.D. (XL2 MTH - W0 & WE)	1

NOTE

Material can be obtained through regular channels.

PROCEDURE

⚠ WARNING ⚠

Park vehicle safely, apply parking brake, stop engine and set battery master switch(es) to the OFF position prior to working on the vehicle.

1. Open engine compartment door(s).
2. Close both heater line shut-off valves (Refer to figure 1 or 2).

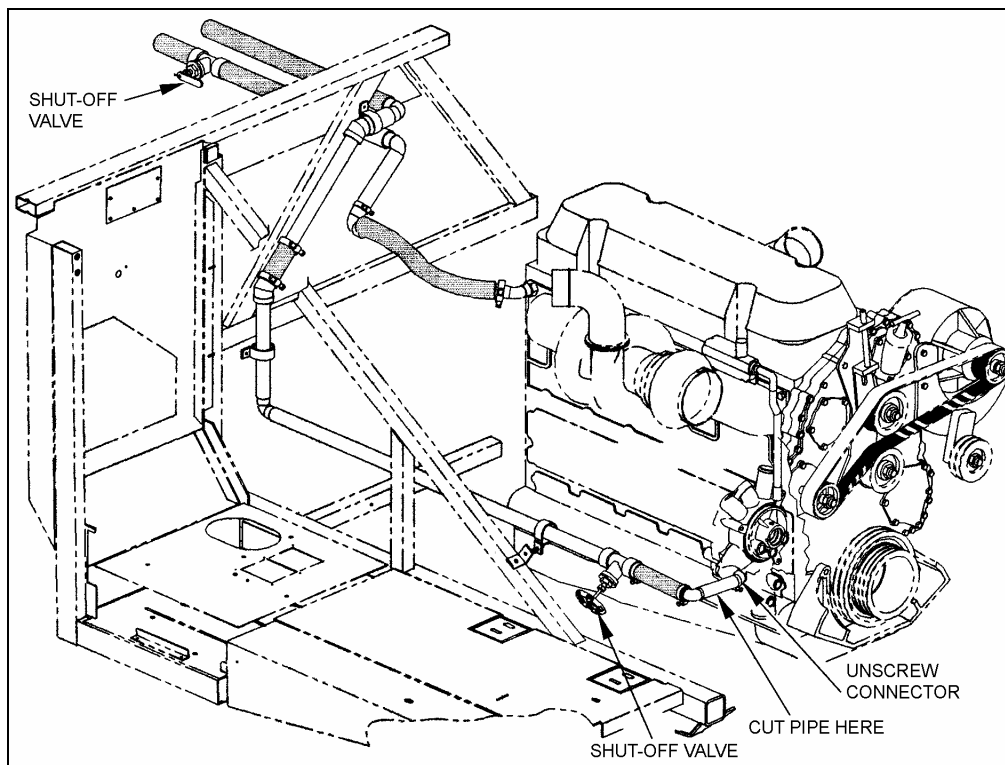


FIGURE 1: LOCATION OF SHUT-OFF VALVES ON H3-45 VIP

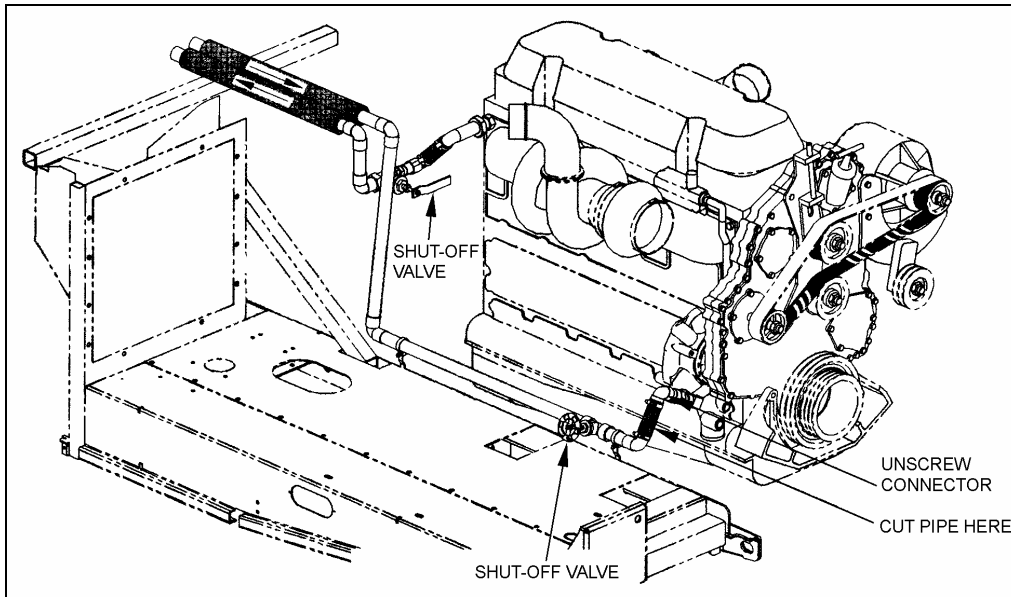


FIGURE 2: LOCATION OF SHUT-OFF VALVES ON XL2 MTH 40' OR 45E

3. If necessary, raise the vehicle by its jacking points in order to install a pan or container to recover the coolant.
4. Remove the drain plug then drain cooling system (Refer to figure 3).

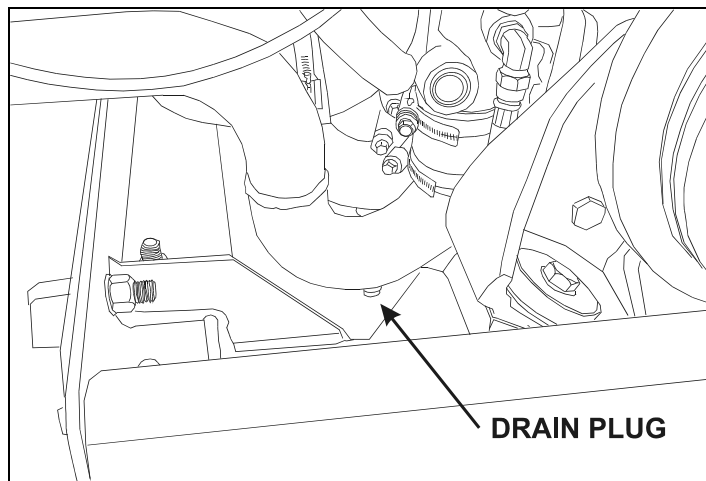


FIGURE 3: WATER PUMP DRAIN PLUG

5. Cut copper piping (Refer to figure 1 or 2).
6. Remove piece of piping and hose.
7. Unscrew piece of copper piping c/w connector from the water pump inlet.
8. Apply some thread sealant (Loctite 567) onto the connector (373894) threads and screw the connector onto the water pump inlet.
9. Adjust the hose (374135 for VIP or 374136 for XL2 MTH – W0 & WE)) to ensure proper fit.
10. Install hose and secure using clamps.

FILLING ENGINE COOLING SYSTEM

If only the engine and related components were drained, maintain the two heater line shut-off valves in their closed position, then proceed as follows:

1. Reinstall the drain plug.
2. Refill cooling system from the surge tank filler cap inlet with a recommended ethylene glycol-based antifreeze and water solution of the required concentration. Add Detroit Diesel selected product cooling system inhibitors (if required).

NOTE

The coolant level should remain within two inches of the surge tank filler neck.

NOTE

Make sure the purge line at top of thermostat housing is properly connected and not obstructed. The purge line (thermostat housing dome to radiator top tank) is required to ensure complete engine fill and proper purging of air in the system.

3. Install the filler and pressure caps, then start the engine and run it at fast idle until reaching normal operating temperature. Check for leaks.

NOTE

If for any reason, the coolant level drops below the surge tank level probe, the Check Engine light will flash.

4. Stop engine and allow cooling.
5. Open the two heater line shutoff valves, check the coolant level in the surge tank, and then add as required.

⚠ CAUTION ⚠

Never pour cold coolant into a hot engine. The sudden change in temperature may crack the cylinder head or block.

WARRANTY

This modification is covered by PrevoSt Car's normal warranty. We will reimburse you the parts and one hour (1.0) of labor upon receipt of a completed A.F.A. form on which you must specify as per "Warranty Bulletin 04-09".

Parts / Waste disposal:

Discard waste according to applicable environmental regulations (Municipal/State[Prov.]/ Federal)