

**PREVOST**

ENREGISTRÉ - REGISTERED  
ISO 9001 & ISO 14001


**WARRANTY  
BULLETIN**

Wb07-02



DATE : AUGUST 2007	SECTION :	04 - Exhaust
EXPIRATION: AUGUST 2009		
SUBJECT : INSTALLATION OF AN EXHAUST PIPE REINFORCEMENT BRACKET AT TURBO OUTLET		

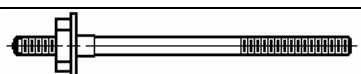
**APPLICATION**


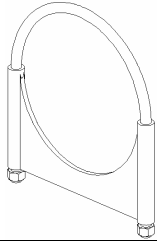
Model	VIN	
XLII-40 Conversion Bus Shells Model Year: 2005 - 2006	2PCW3340X51028509 - 2PCW3340X51028543 2PCW3340251028598 - 2PCW3340551028613 2PCW3340061028813	
XLII-45E Entertainer Bus Shells Model Year: 2005 - 2006 - 2007	From 2PCY3349351028603 up to 2PCY3349071729148 incl.	
X3-45 Coaches Model Year: 2007	From 2PCG3349471028754 up to 2PCG3349371729107 incl.	
<p><b>This bulletin does not necessarily apply to all the above-mentioned vehicles, some vehicles may have been modified before delivery. The owners of the vehicles affected by this bulletin will be advised by a letter indicating the Vehicle Identification Number (VIN) of each vehicle concerned.</b></p>		

**DESCRIPTION**

On the above-mentioned vehicles, there is a possibility that the exhaust pipe at turbocompressor outlet breaks due to lack of support or engine vibrations.

**MATERIAL**

Part No.	Description	Identification	Qty
040561	Bracket, Reinforcement Exhaust Pipe		1
510626	Stud, Bolt M10-1.5 X 120		2

500680	Nut, Stover hex. ZP M10-1.5		2
540018	Clamp, "U"		1
040652	Blanket, Heat with clearance for XLII-45E Entertainer Bus Shells		1

**NOTE**

Material can be obtained through regular channels.

**PROCEDURE**



**DANGER**

Park vehicle safely, apply parking brake, stop engine and set battery master switch(es) to the OFF position prior to working on the vehicle.

1. Open engine compartment doors.
2. Make sure that exhaust pipe reinforcement bracket was not previously installed.



**WARNING**

Make sure that engine parts have cooled down before proceeding.

3. Remove engine air intake pipe (refer to fig. 1).
4. Remove after CAC air pipe (refer to fig. 1).
5. Remove the two bolts which secure the exhaust pipe.
6. Torque both engine stud bolts (Prévost #510626) to 43 - 54 lbf-ft (58 - 73 Nm). Install new reinforcement bracket (Prévost #040561) and tighten Stover nuts (Prévost #500680) as shown in figure 2.
7. Install U bolt assembly (Prévost #540018) and tighten U bolt nuts.
8. Reinstall after CAC air pipe and engine air intake pipe.



**CAUTION**

On XLII-45E Entertainer Bus Shells, heat blanket (040565) must be replaced with a heat blanket with clearance (040652).

9. Close engine compartment doors.

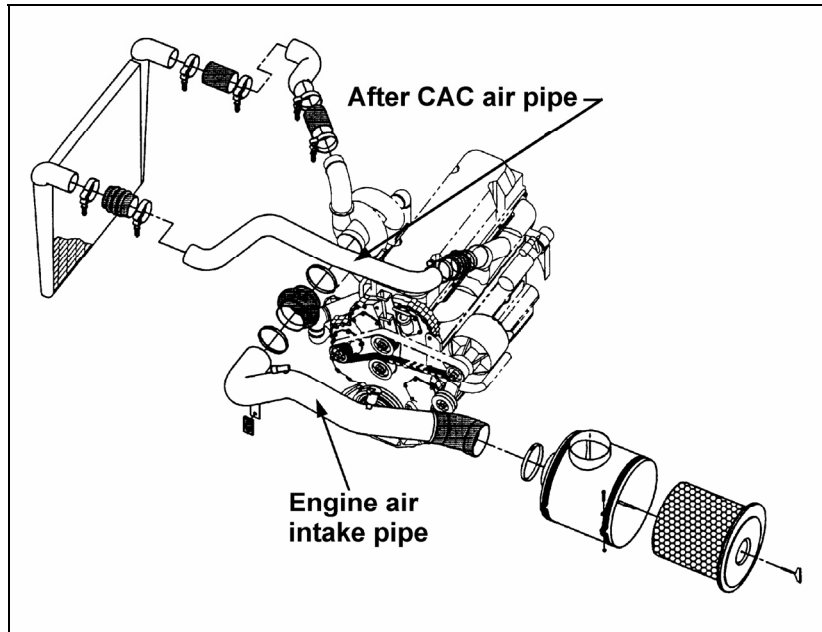


FIGURE 1: ENGINE COMPARTMENT

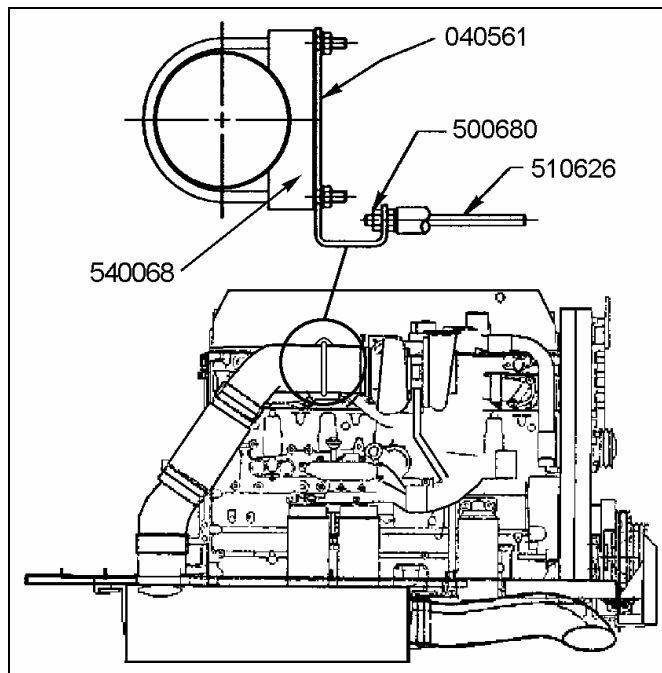


FIGURE 2: VIEW OF ENGINE – TURBO SIDE

## WARRANTY

This modification is covered by PrevoSt Car's normal warranty. We will reimburse you the parts and one and a half hour (1.5) of labor upon receipt of a completed A.F.A. form on which you must specify as per "Warranty Bulletin 07-02".

## Parts / Waste disposal:

Discard waste according to applicable environmental regulations (Municipal/State[Prov.]/ Federal)