

**PREVOST**

ENREGISTRÉ - REGISTERED  
**ISO 9001 & ISO 14001**


**WARRANTY  
 BULLETIN**

Wb07-12



<b>DATE :</b> DECEMBER 2007	<b>SECTION :</b>	<b>05 - Cooling</b>
<b>EXPIRATION:</b> DECEMBER 2009		
<b>SUBJECT :</b> REPLACING THE PIPE CONNECTING THE TURBOCOMPRESSOR TO THE CHARGE AIR COOLER (CAC)		

**APPLICATION**

Model	VIN	
VIP-45 MTH Model Year : 2007	2PCV3349471710671 – 2PCV334937C710942 – 2PCV334907C710946 2PCV334927C710947 – 2PCV334927C710950 – 2PCV334987C710953 2PCV3349X7C710954 – 2PCV334957C710957 – 2PCV334907C710963 2PCV334967C710966 – 2PCV3349X7C710968 – 2PCV334917C710972 2PCV334957C710974 – 2PCV334927C710981 – 2PCV334967C710983 2PCV334987C710984 – 2PCV334937C710987 – 2PCV334997C710993 2PCV3349X7C710999 – 2PCV334947C711002 – 2PCV3349X7C711005 2PCV334957C711008 – 2PCV334937C711010 – 2PCV334957C711011	
H3-41, H3-45 Coaches Model Year : 2008	2PCH3349681710749 - 2PCH3349581710855	
<p><b>This bulletin does not necessarily apply to all the above-mentioned vehicles, some vehicles may have been modified before delivery. The owners of the vehicles affected by this bulletin will be advised by a letter indicating the Vehicle Identification Number (VIN) of each vehicle concerned.</b></p>		

**DESCRIPTION**

On the above-mentioned vehicle, there is a possibility that the connecting pipe located at the turbocompressor outlet strikes against the radiator fan drive mechanism support. Abrasion or perforation could result and thus result over the long run in damage to the Diesel Particulate Filter (DPF) or loss of engine performance.

## MATERIAL

Part No.	Description	Qty
053503	Pipe, Connecting	1

### *NOTE*

*Material can be obtained through regular channels.*

## PROCEDURE



### **DANGER**

Park vehicle safely, apply parking brake, stop engine and set battery master switch(es) to the OFF position prior to working on the vehicle.

1. Open engine compartment door.
2. Set rear start switch to the OFF position.
3. Locate connecting pipe then untighten the constant-torque hose clamps fixing the connecting pipe (Refer to figures 1 and 2).
4. Remove the connecting pipe and install the new one (053503).
5. Torque hose clamps to 9-11 lbf-ft (Refer to figure 2).
6. Position the CAC pipe, coolant line and cooling fan drive mechanism universal shaft so that the various gaps are respected and that no rubbing occurs between the various parts.

## WARRANTY

This modification is covered by PrevoSt Car's normal warranty. We will reimburse you the parts and one hour (1.0) of labor upon receipt of the replaced parts and a completed A.F.A. form on which you must specify as per "Warranty Bulletin 07-12".

### **Parts / Waste disposal:**

Return replaced parts to PrevoSt Car with A.F.A. for full reimbursement.

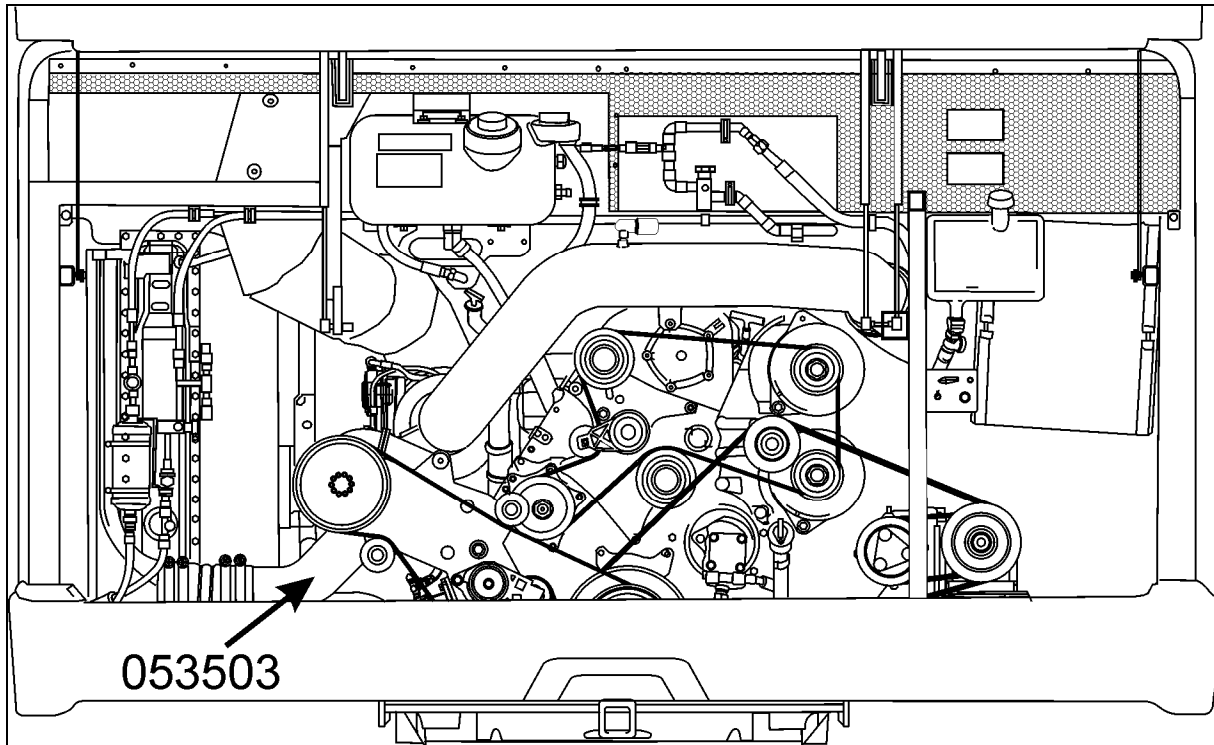


FIGURE 1: ENGINE COMPARTMENT

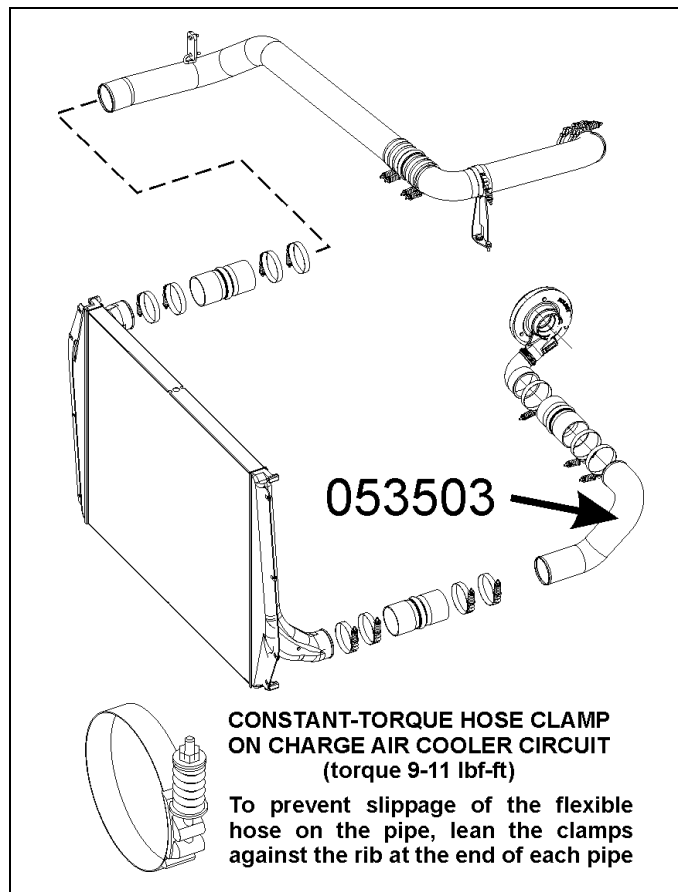


FIGURE 2: CONNECTING PIPE