

PREVOST

ENREGISTRÉ - REGISTERED
ISO 9001 & ISO 14001


**WARRANTY
 BULLETIN**

Wb08-20



| | |
|--|----------------------------------|
| DATE : NOVEMBER 2008 | SECTION : 06 - Electrical |
| EXPIRATION: NOVEMBER 2010 | |
| SUBJECT : RELOCATION OF BERU FRONT ANTENNA SUPPORT AND CHANGE OF HARNESS | |

APPLICATION

| Model | VIN |  |
|--|---|--|
| MTH VIP-45 Model Year: 2008 | 2PCV3349X8C711068 - 2PCV334958C711172 - 2PCV334908C711175 2PCV334968C711181 - 2PCV334918C711184 - 2PCV334978C711187 2PCV334908C711192 - 2PCV334948C711194 - 2PCV334918C711198 2PCV334968C711200 - 2PCV334998C711210 - 2PCV334998C711238 2PCV334978C711254 | |
| MTH XLII-45E Model Year: 2008 | 2PCY334938C729425 | |
| MTH XLII-45 Model Year: 2008 | 2PCW334998C729369 - 2PCW334938C729433 - 2PCW334948C729442 2PCW334988C729444 - 2PCW334968C729474 - 2PCW334978C729483 | |
| <p>This bulletin does not necessarily apply to all the above-mentioned vehicles, some vehicles may have been modified before delivery. The owners of the vehicles affected by this bulletin will be advised by a letter indicating the Vehicle Identification Number (VIN) of each vehicle concerned.</p> | | |

DESCRIPTION

On vehicles affected by this bulletin, it is necessary to relocate the TPMS Beru front antenna support and to change the harness. There is a possibility that the Tire Pressure Monitoring System (TPMS) cannot receive the front tires incoming signal due to interference generated when the small A/C system circulating pump is in operation.



PROCEDURE



DANGER

Park vehicle safely, apply parking brake, stop engine and set battery master switch(es) to the OFF position prior to working on the vehicle.

MATERIAL

| Part No. | Description | Identification | Qty |
|----------|---------------------------------------|---|-----|
| 500600 | Screw, TC Hex. Washer head ¼ - 20 x 2 |  | 2 |
| 502853 | Washer, Split-Lock 6.1 x 11.8 x 1.6 |  | 2 |
| 506338 | Rubber 300mm | | 1 |
| 067585 | Harness | | 1 |

NOTE

Material can be obtained through regular channels.

1. Remove Beru antenna support located in the front wheelhousing (Refer to figures 1 and 2).

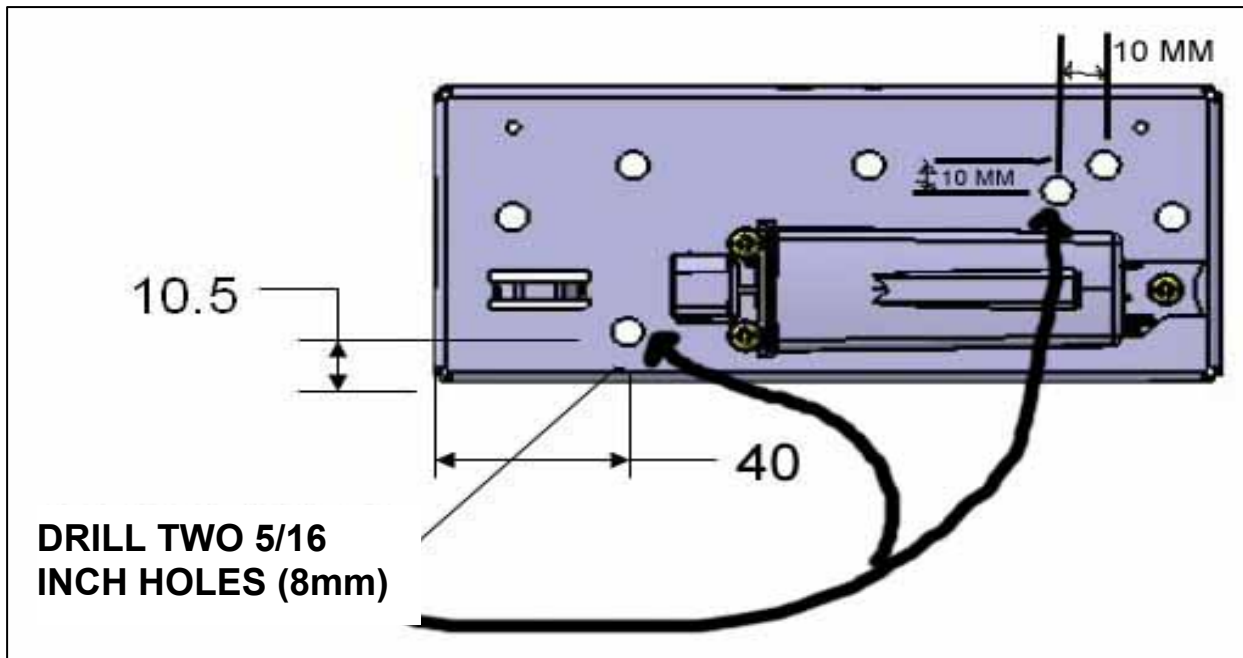


FIGURE 1

2. Drill two 5/16 inch (8mm) holes into the support. Refer to figure 1 for holes location.
3. Position support onto structural diagonal post at the location indicated in figure 2 and drill two 3/16 inch holes.
4. Also drill a 3/16 inch draining hole in the lower part of the diagonal post (Refer to figure 2).

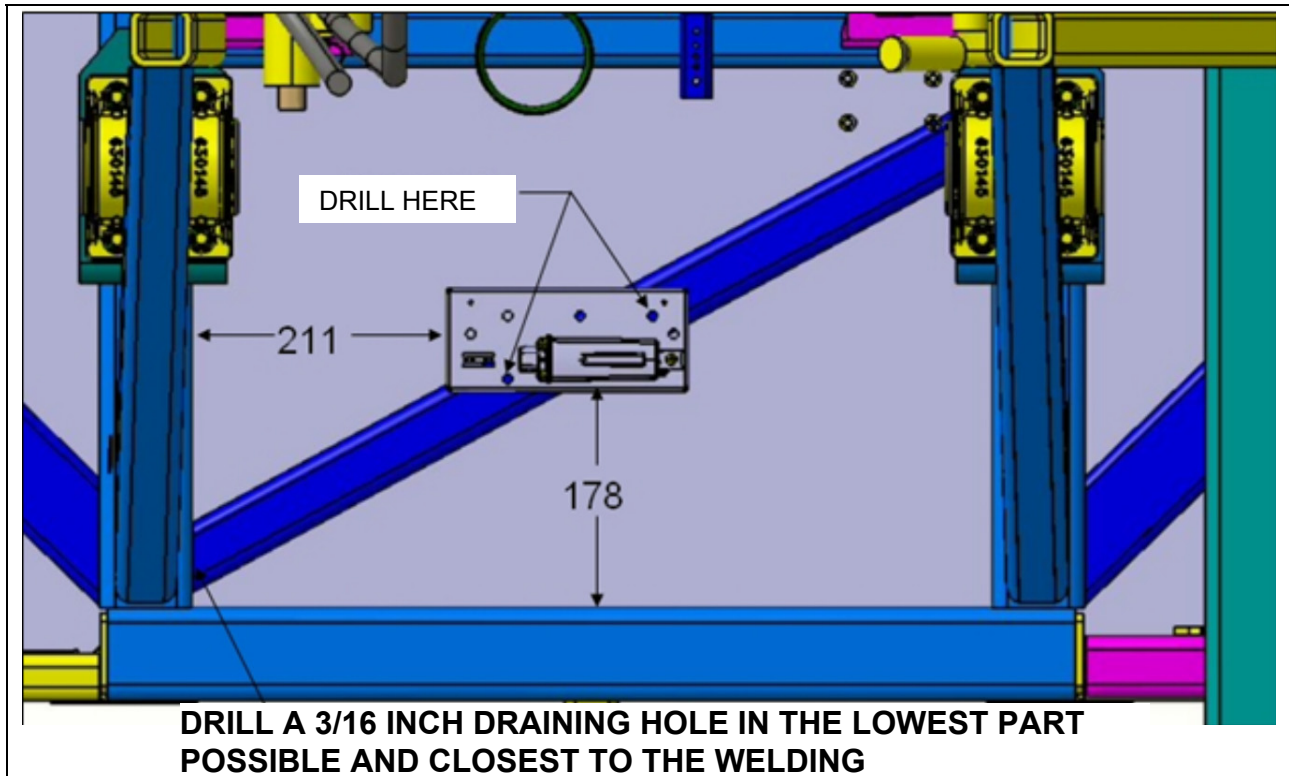


FIGURE 2

5. Clean surface near the two support fixing holes using anti-silicone.
6. Apply Sika 221 onto holes surface for watertightness.

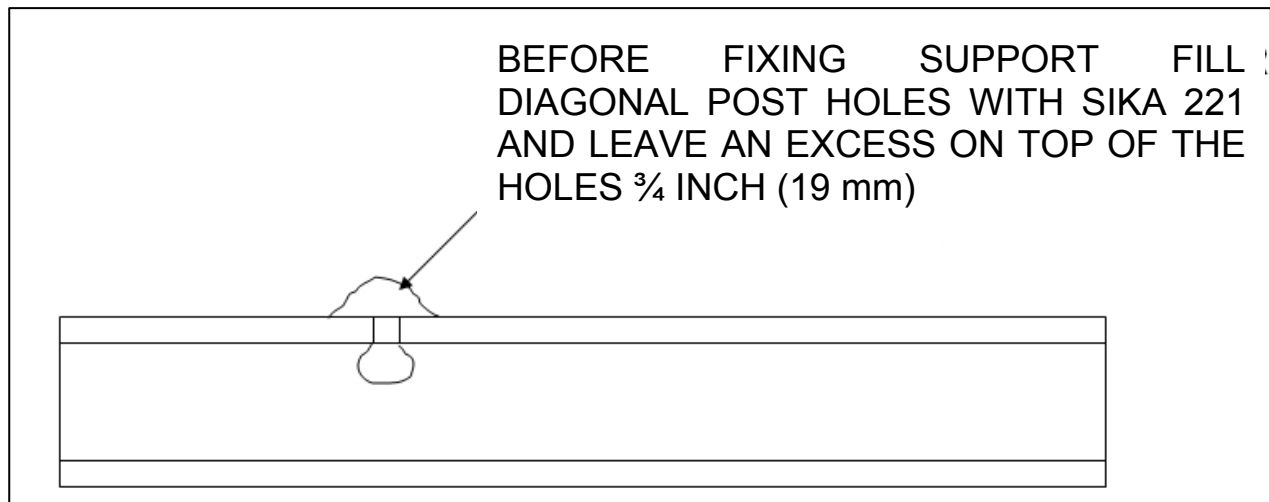


FIGURE 3

7. Add "U" shape rubber onto support edges that come in contact with diagonal post.

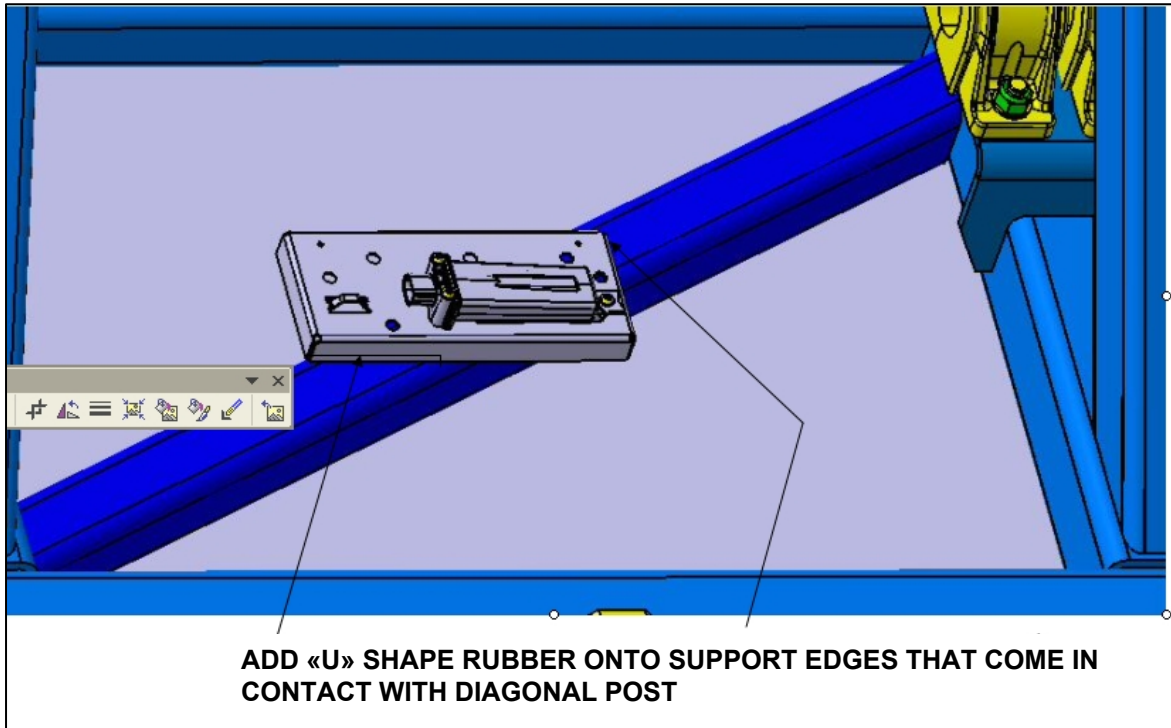


FIGURE 4

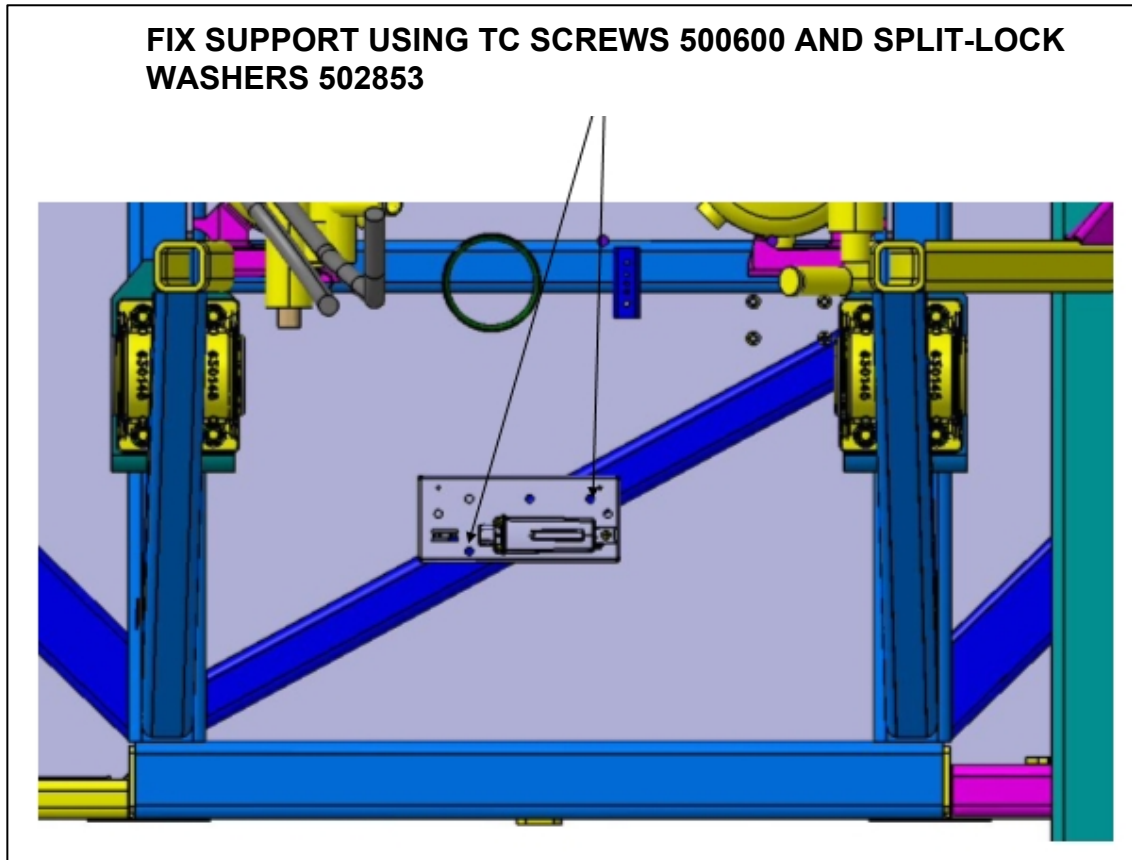


FIGURE 5

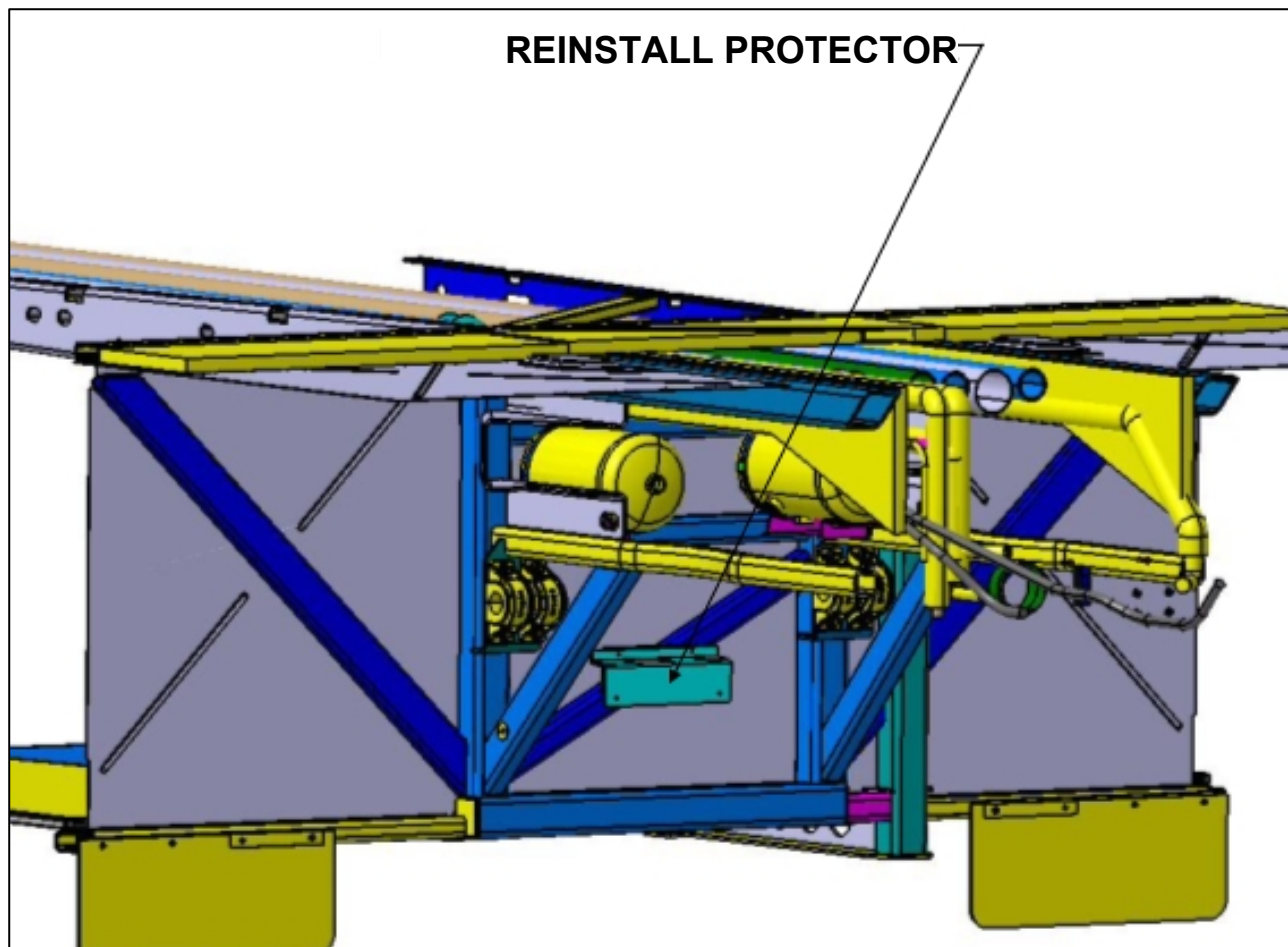


FIGURE 6

8. Fix support using two thread cutting screws and split-lock washers.
9. Connect new cable harness 067585.
10. Reinstall protector.

WARRANTY

This modification is covered by Prevost's normal warranty. We will reimburse you the parts and one and a half hour (1.5) of labor upon receipt of a completed A.F.A. form on which you must specify as per "Warranty Bulletin 08-20".