

**PREVOST**

ENREGISTRÉ - REGISTERED  
**ISO 9001 & ISO 14001**



**WARRANTY  
 BULLETIN**

Wb08-05

<b>DATE :</b> JULY 2008	<b>SECTION :</b> 16 - Suspension
<b>EXPIRATION:</b> JULY 2010	
<b>SUBJECT :</b> REPLACEMENT OF EXPANSION TANKS LOCATED ABOVE DRIVE AXLE SUPPORT FRAME DOUBLE CROSS MEMBER	


**APPLICATION**

Model	VIN
XLII-45E MTH Model Year : 2007 - 2008	From 2PCY3349X71029010 up to 2PCY334948C729370 incl.
<p><b>This bulletin does not necessarily apply to all the above-mentioned vehicles, some vehicles may have been modified before delivery. The owners of the vehicles affected by this bulletin will be advised by a letter indicating the Vehicle Identification Number (VIN) of each vehicle concerned.</b></p>	

**DESCRIPTION**

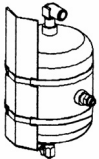


On the above-mentioned vehicles, the L.H. side and R.H. side expansion tanks located above the drive axle support frame double cross member must be replaced. There is a possibility for the expansion tanks to rub against the air springs and thus create premature wear. The tank holding clamp screws must also be positioned towards the center of the vehicle to prevent rubbing against the air springs.

**PROCEDURE**

** DANGER**

Park vehicle safely, apply parking brake, stop engine and set battery master switch(es) to the OFF position prior to working on the vehicle.

## MATERIAL

Part No.	Description	Identification	Qty
642110	Tank, Expansion Air		2
641175	Fitting, Elbow, Male 3/8 Tube X 1/2 NPT		2
504324	Clamp, Holding		4

### NOTE

Material can be obtained through regular channels.

1. Unload tag axle.
2. Remove the air from the drive axle support frame air springs. To do so, dismantle the link assembly from the height control valves (Refer to figure 1). Lower the valve lever to purge the air from the air springs.

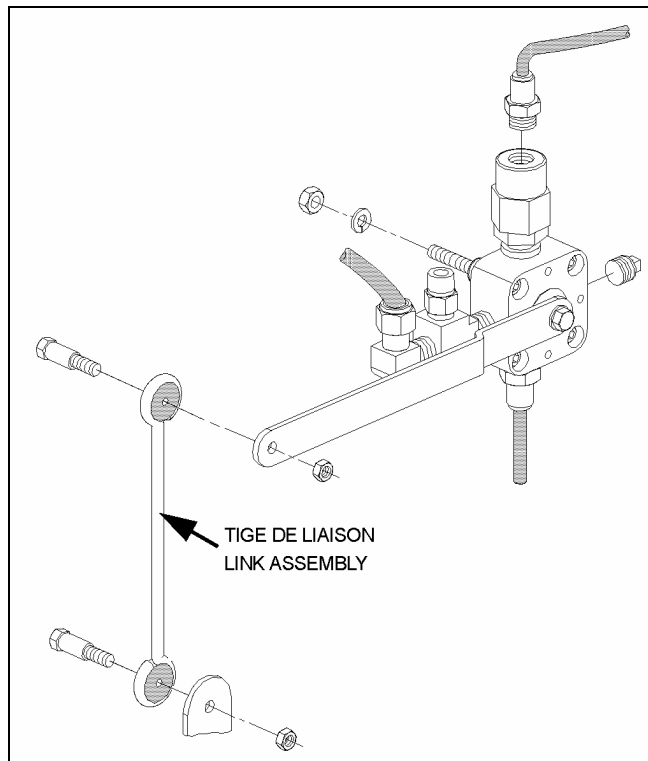


FIGURE 1

3. Raise the vehicle using the axle jacking points.
4. Place a jack on each side of vehicle to support the rear end. Refer to figure 2 for correct location of jacks.

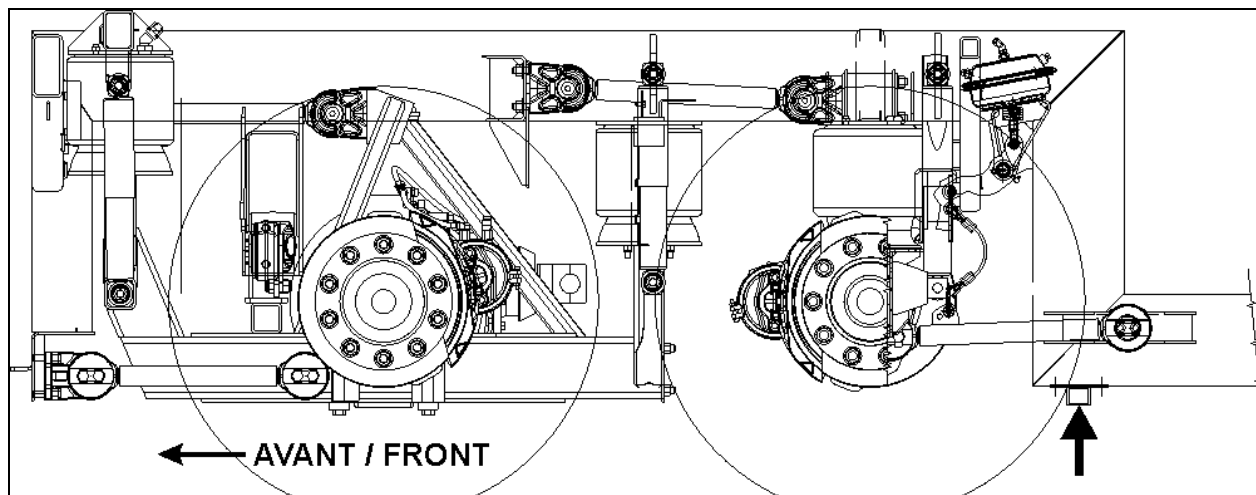


FIGURE 2

5. Remove the drive axle wheels.
6. To access the expansion air tanks and air springs, remove the protective panels located in front of drive axle wheels (Refer to figure 3).

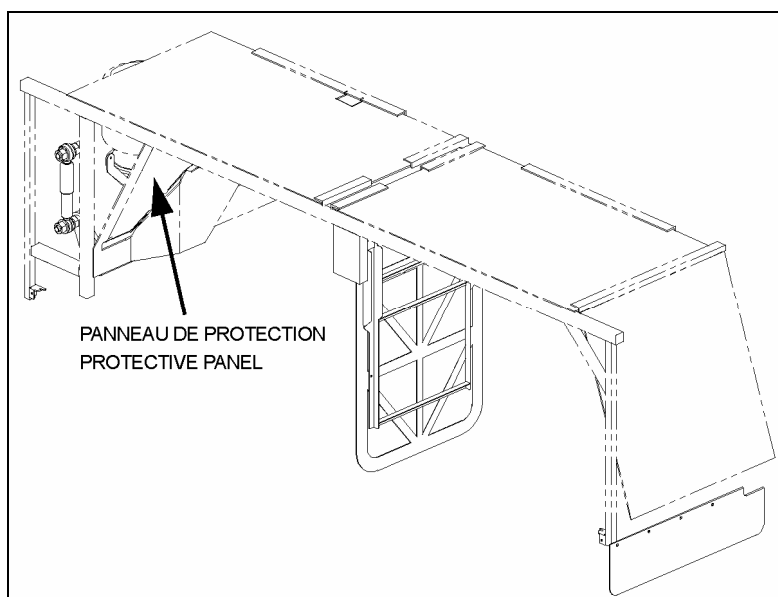


FIGURE 3

7. Disconnect expansion tanks air hoses.
8. Dismount air tank holding clamps then remove air tanks (Refer to figure 4).
9. Unfasten fittings from former air tanks keeping the central fitting and drain cock to reinstall on new tank.

**NOTE**

Apply some "Loctite 567 Thread Sealant" (680098) onto fittings.

10. Install elbow fitting (641175) onto top of new expansion air tank (642110).
11. Cut expansion air tank support lower section (Refer to figure 5).

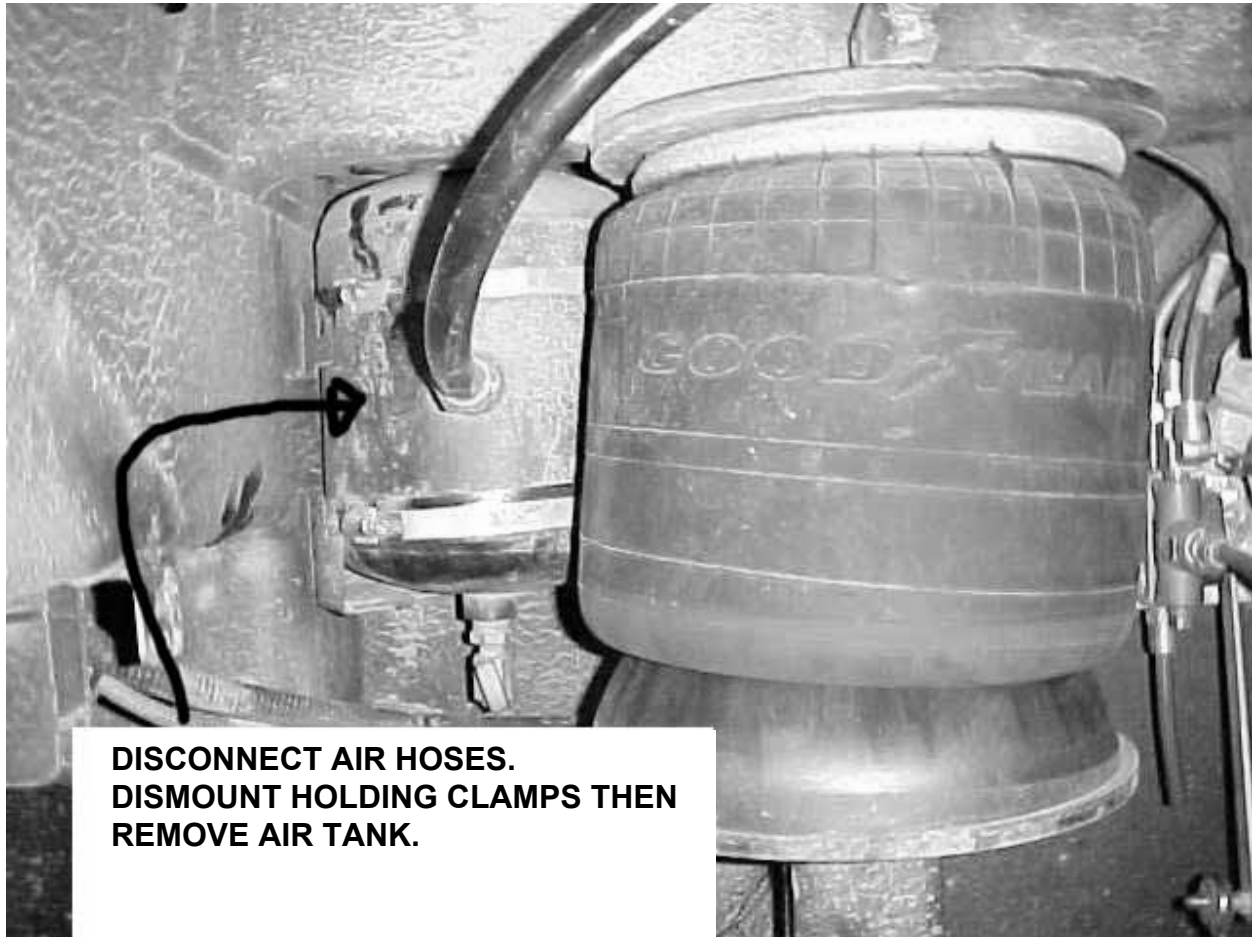
12. Close up the support two vertical curved hooks in order to match the new tank shape.
13. Apply "Gravel Guard" (682175) onto support lower section (Refer to figure 6).
14. Reinstall new expansion air tank onto support and secure using two new holding clamps (504324).



## CAUTION

Holding clamp screws must be positioned towards the center of the vehicle to prevent rubbing against the air springs.

15. Reconnect the air hoses (Refer to figure 7).
16. Reinstall the wheels then raise the vehicle using the axle jacking points.
17. Pressurize the air system and check for leaks.
18. Reinstall the protective panels located in front of drive axle wheels.
19. Remove the two jacks located on each side of vehicle.



**DISCONNECT AIR HOSES.  
DISMOUNT HOLDING CLAMPS THEN  
REMOVE AIR TANK.**

FIGURE 4

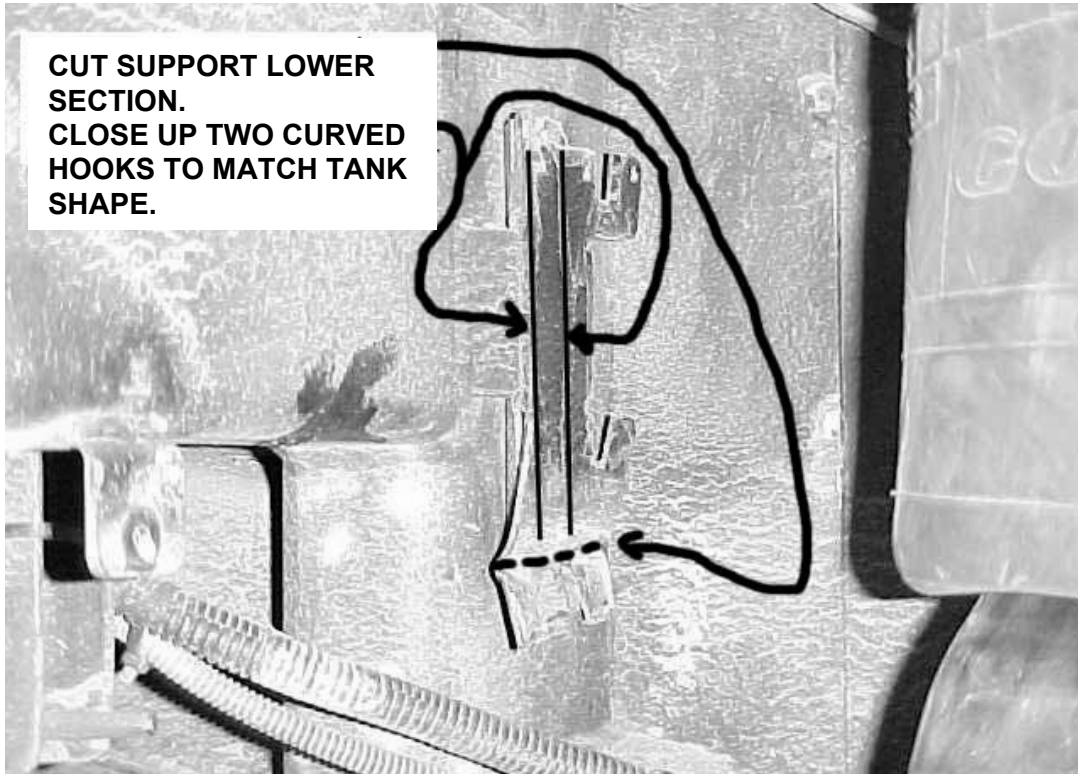


FIGURE 5



FIGURE 6



FIGURE 6

## WARRANTY

This modification is covered by Prevest's normal warranty. We will reimburse you the parts and five hours (5.0) of labor upon receipt of the replaced parts and a completed A.F.A. form on which you must specify as per "Warranty Bulletin 08-05".

### Parts / Waste disposal:

Return replaced parts to Prevest Car with A.F.A. for full reimbursement.