

DVD PLAYER REPLACEMENT – MODIFICATION TO THE 12 VOLTS SUPPLY HARNESS

MATERIAL

Kit #405660 includes the following parts:

Part No.	Description	Qty
901096	DVD (MP3) player	1
IS-03098	Instruction Sheet	1
FI-03098	Feuille d'instructions	1

PROCEDURE

Warning: Park vehicle safely, apply parking brake, stop engine and set battery master switch(es) to the OFF position prior to working on the vehicle.

Note: A modification is necessary to the DVD player 12 volts supply harness on your vehicle to be able to connect the new DVD player (Prevost #901096).

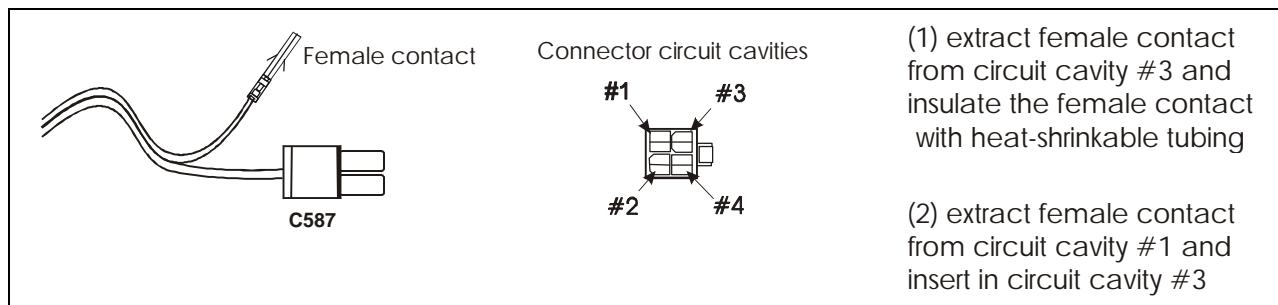


FIGURE 1: HARNESS MODIFICATION

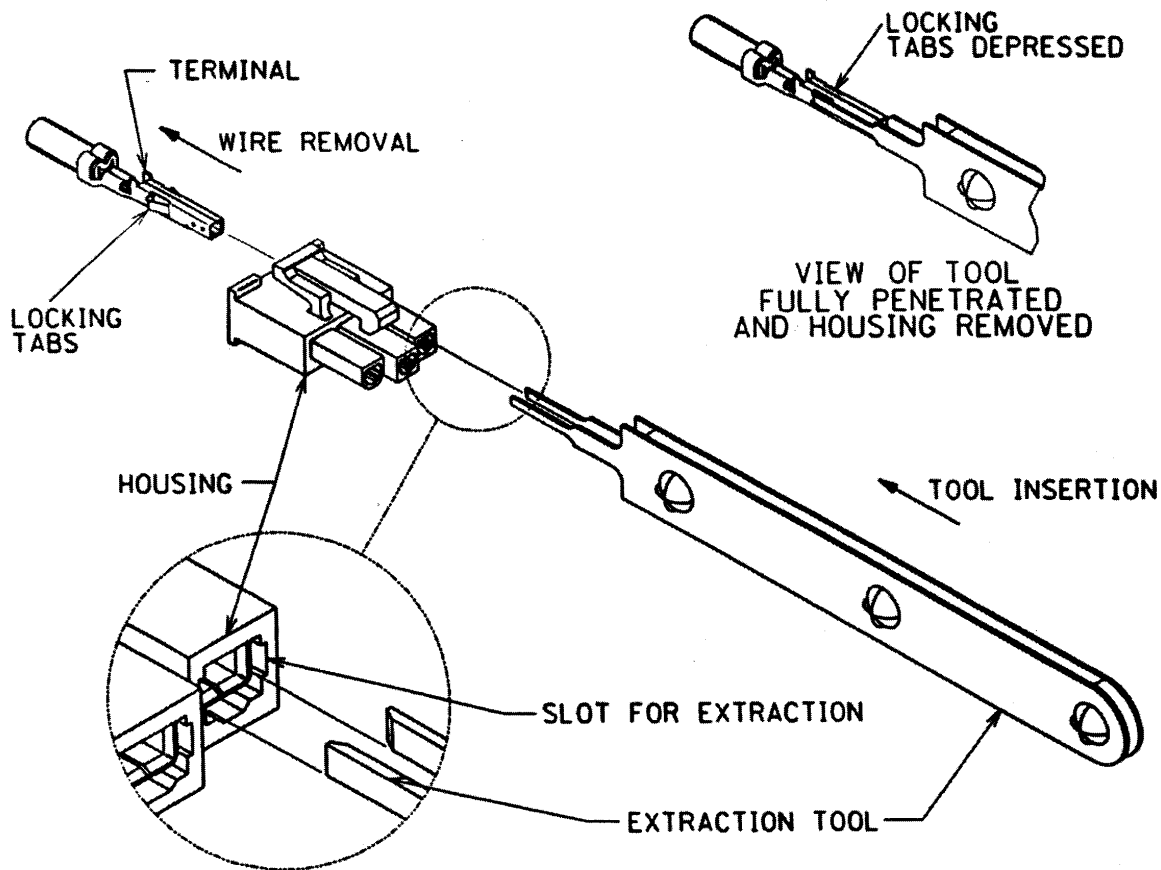
1. Disconnect the DVD player which has to be replaced.
2. Locate connector C587 among the 3 connectors which had been unplugged at step 1.
3. Using the extracting tool (Prevost #682486), extract female contact from circuit cavity #3 and insulate the female contact with heat-shrinkable tubing. It will not be reused.
4. Extract female contact from circuit cavity #1 and insert in circuit cavity #3. Before inserting, make sure that the locking tabs on both sides of the female contact are pushed out for adequate holding in the circuit cavity.
5. Connect the 12 volts supply, the audio output and video output to the DVD player.



INSTRUCTION SHEET
MINI-FIT JUNIOR EXTRACTION TOOL
HT60630B (11-03-0044)
FOR TERMINALS 5558T,T2,T3 , 5556T,T2,T3 .
44478 , 44476 , 44485 , 30490

INSTRUCTIONS FOR TERMINAL REMOVAL

INSERT THE EXTRACTION TOOL INTO THE HOUSING AS SHOWN.
USE THE CAVITY IN THE HOUSING TO LOCATE THE EXTRACTION TOOL BLADES
ON THE OUTSIDE OF THE TERMINAL AND DOWN INTO THE HOUSING.
(TOOL MUST NOT ENTER INSIDE OF THE METAL TERMINAL, IT MUST
STAY ON THE OUTSIDE OF THE TERMINAL.)
CONTINUE TO INSERT THE EXTRACTION TOOL UNTIL THE TOOL CAN NOT
ADVANCE ANY FURTHER INTO THE HOUSING, RELOCATE THE TOOL SO THAT
(2) BLADES ARE POSITIONED AT THE CENTER OF THE TERMINAL NOSE,
THEN APPLY PRESSURE ON THE TOOL.
IF THE TERMINAL LOCKING TABS ARE STILL NOT TOTALLY DEPRESSED,
HOLD TIGHT ON THE WIRE AND PUSH IT TOWARD THE EXTRACTION TOOL,
THIS WILL COMPLETELY DEPRESS THE LOCKING TABS.
GRASP THE WIRE TO BE REMOVED AND PULL IT OUT OF THE HOUSING.



NOTE: FOR TERMINALS 44478-2 IN HOUSING 44157
AND 44476-6 IN HOUSING 44156
USE TOOL NO. 638131200

HT60630B (11-03-0044)
REVISION D

HT60630B.S84