

PREVOST

ENREGISTRÉ - REGISTERED
ISO 9001 & ISO 14001


WARRANTY BULLETIN

Wb10-29



DATE : JULY 2010	SECTION : 13 - Wheels, Hubs Tires
EXPIRATION: JULY 2012	
SUBJECT : REPLACING TAG AXLE HUB CAP SCREWS	

APPLICATION

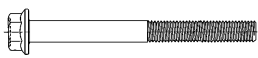
Model	VIN	
X3-45 Coaches Model Year : 2010	2PCG33494AC729872 - 2PCG33498AC729907 - 2PCG33491AC729926	
MTH XLII-45E Model Year : 2010	2PCY33493AC729902	
H3-45 Coaches Model Year: 2010	2PCH33496AC711605 - 2PCH33495AC711627 - 2PCH33496AC711636	

This bulletin does not necessarily apply to all the above-mentioned vehicles, some vehicles may have been modified before delivery. The owners of the vehicles affected by this bulletin will be advised by a letter indicating the Vehicle Identification Number (VIN) of each vehicle concerned.

DESCRIPTION

On the vehicles affected by this bulletin, it is **absolutely necessary** to replace the cap screws fixing the tag axle hubs. There is a possibility that the cap screws become untightened under normal conditions and for that reason may result in damages or lost of wheels.

MATERIAL

Part No.	Description	Identification	Qty
5001842	Screw, Cap Hex. Flange Serrated 6500 M14-1.5 X 75 GR12.9		28

NOTE

Material can be obtained through regular channels.

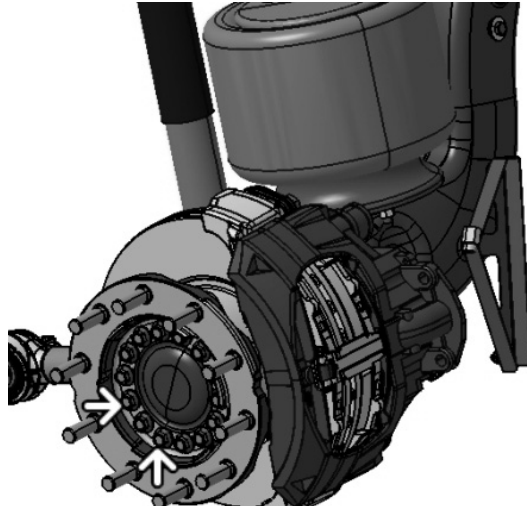
PROCEDURE



DANGER

Park vehicle safely, apply parking brake, stop engine and set battery master switch(es) to the OFF position prior to working on the vehicle.

Replace 28 cap screws fixing tag axle hubs (14 on each side). Torque tighten to 179 Lb-Ft (243 Nm).

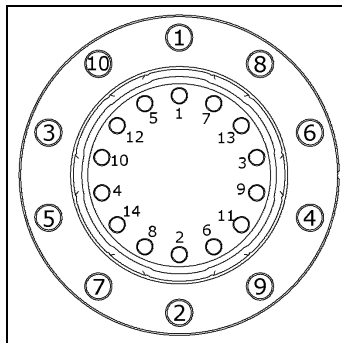


CAP SCREWS 5001842 QTY 14 / SIDE
TORQUE TO 179 LB-FT (243 Nm)



CAUTION

To avoid hub movement, replace and tighten cap screws one at a time. Replace and tighten cap screws using tightening sequence or one after another in a clockwise manner.



TIGHTENING SEQUENCE

WARRANTY

This modification is covered by Prevo's normal warranty. We will reimburse you the parts and three quarters of an hour (0.75) of labor upon receipt of a completed A.F.A. form on which you must specify as per "Warranty Bulletin 10-29".

Parts / Waste disposal:

Discard waste according to applicable environmental regulations (Municipal/State[Prov.]/ Federal)