

PREVOST

ENREGISTRÉ - REGISTERED
ISO 9001 & ISO 14001


**WARRANTY
BULLETIN**

Wb10-33



DATE :	NOVEMBER 2010	SECTION :	03 - Fuel
EXPIRATION: NOVEMBER 2012			
SUBJECT : ACCELERATOR PEDAL THROTTLE POSITION SENSOR REPLACEMENT			

APPLICATION

Model affected	Vehicles affected	
H3-41, H3-45 coaches with Volvo D13 engine Model Year : 2007 - 2011	All vehicles produced up to 2PCH33492AC71 1701 incl. <i>Vehicle serial numbers 2PCH33494AC711702 and subsequent will have the subject of this bulletin accomplished prior to delivery.</i>	
X3-45 coaches and XLII-45 Entertainer's with Volvo D13 engine Model Year : 2008 - 2011	All vehicles produced up to 2PCYS3495BC72 9971 incl. <i>Vehicle serial numbers 2PCYS3499BC729973 and subsequent will have the subject of this bulletin accomplished prior to delivery.</i>	
This bulletin does not necessarily apply to all the above-mentioned vehicles, some vehicles may have been modified before delivery. The owners of the vehicles affected by this bulletin will be advised by a letter indicating the Vehicle Identification Number (VIN) of each vehicle concerned.		

DESCRIPTION

On the vehicles affected by this bulletin, it is necessary to replace the accelerator pedal throttle position sensor as explained in the following procedure. This replacement is necessary only for vehicles equipped with Volvo D13 engine.

FAILURE CAUSE: Voltage applied by Volvo engine ECU exceeds the sensor capacity. Do not keep the throttle position sensor for later use as a sudden failure is very likely to happen.

FAILURE CONSEQUENCE: Faulty throttle position sensor causes the accelerator pedal to be inoperative due to a permanent idle signal. This leads to a vehicle breakdown with no response from the accelerator pedal.

MATERIAL

Order the following part:

Part No.	Description	Qty
568084	Sensor, accelerator pedal throttle position	1

NOTE

Material can be obtained through regular channels.

PROCEDURE

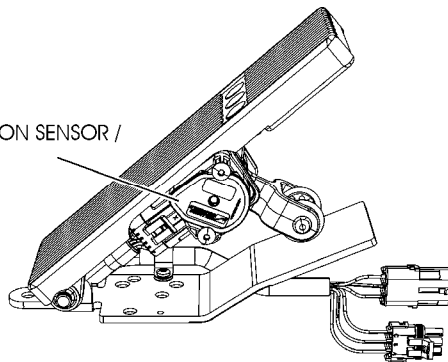


DANGER

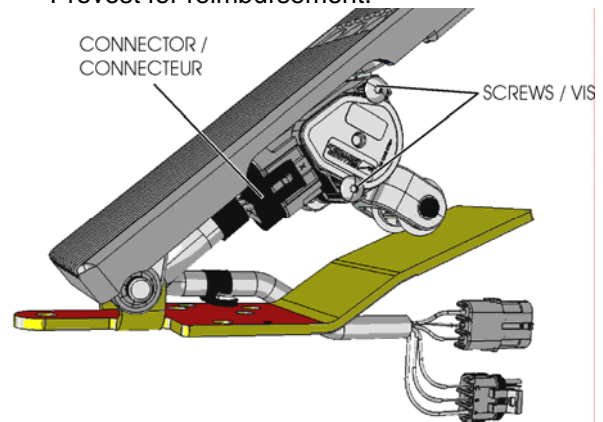
Park vehicle safely, apply parking brake, stop engine and set battery master switch(es) to the OFF position prior to working on the vehicle.

1. Locate accelerator pedal throttle position sensor on the accelerator pedal assembly.

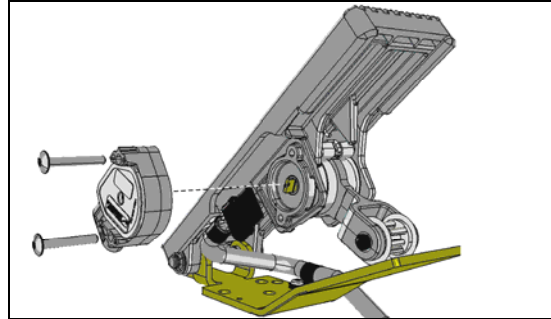
THROTTLE POSITION SENSOR /
POTENTIOMÈTRE



2. Disconnect harness from sensor.
3. Unscrew sensor fasteners (2) and remove throttle position sensor. Return sensor to Prevost for reimbursement.



4. Make sure the rotary piece at the center of the new throttle position sensor is completely turned counterclockwise prior installation, if not, stationary regenerations might be impossible to initiate.



5. Position new throttle position sensor on pedal assembly, secure with screws provided in the kit (torque to 25 lb-in).
6. Connect wiring harness to throttle position sensor. Secure wiring harness as originally routed.
7. Start the engine. With the parking brake applied and transmission in neutral position (N), test the accelerator pedal for proper functioning.

WARRANTY

This modification is covered by Prevo's normal warranty. We will reimburse you the parts and 1/4 hour (0.25) of labor upon receipt of the replaced throttle position sensor and a completed A.F.A. form on which you must specify as per "Warranty Bulletin 10-33". **Please, identify the returned part with Prevo part number 531402.**

Parts / Waste disposal:

Return replaced parts to Prevo with A.F.A. for full reimbursement.