

**PREVOST**

ENREGISTRÉ - REGISTERED  
**ISO 9001 & ISO 14001**



**WARRANTY  
 BULLETIN**

Wb11-32

<b>DATE :</b> DECEMBER 2011	<b>SECTION :</b>	<b>03 - Fuel</b>
<b>EXPIRATION:</b> DECEMBER 2013		
<b>SUBJECT :</b> FUEL TANK GASKETS REPLACEMENT		

**APPLICATION**

**NOTICE TO SERVICE CENTERS**

Verify vehicle eligibility by checking warranty bulletin status with **SAP** or **Vehicle Warranty Information** tool found on Prevost-Systems tab of the Volvo Trucks Dealer Portal

Model	VIN
H3-41, H3-45 Coaches Model Year : 2012	From 2PCH33493CC71 <u>1905</u> up to 2PCH33496CC71 <u>1980</u> incl.
VIP-45 MTH Model Year : 2011 - 2012	2PCVS349XBC71 <u>1906</u> - 2PCVS3490CC71 <u>1916</u> 2PCVS3491CC71 <u>1925</u> - 2PCVS3497CC71 <u>1928</u> 2PCVS3498CC71 <u>1937</u> - 2PCVS3493CC71 <u>1943</u> 2PCVS3492CC71 <u>1951</u> - 2PCVS3493CC71 <u>1957</u>
X3-45 Coaches Model Year : 2012	From 2PCG33490CC73 <u>5090</u> up to 2PCG33490CC73 <u>5171</u> incl.
XLII-45E Entertainer Model Year : 2012	2PCYS3494CC73 <u>5133</u> - 2PCY33493CC73 <u>5136</u> 2PCYS3495CC73 <u>5142</u> - 2PCYS3497CC73 <u>5143</u>

**This bulletin does not necessarily apply to all the above-mentioned vehicles, some vehicles may have been modified before delivery. The owners of the vehicles affected by this bulletin will be advised by a letter indicating the Vehicle Identification Number (VIN) of each vehicle concerned.**

**DESCRIPTION**

On the vehicles affected by this bulletin, the fuel tank gaskets may deteriorate or decompose upon contact with diesel fuel. Replacement of the fuel tanks gaskets must be performed as soon as possible.

**PERFORM THIS BULLETIN WHEN FUEL TANK CONTAINS LESS THAN  
HALF ITS CAPACITY**

**MATERIAL**

XLII-45 ENTERTAINER

Part No	Description	Qty
032938	Gasket, filler tube (round)	4
032777	Gasket, connection panel (square)	1

H3 SERIES COACHES AND VIP VEHICLES

Part No	Description	Qty
032014	Gasket, connection panel (square)	1
032938	Gasket, filler tube (round)	2
504746	Rivet, pop $\frac{3}{16}$ " x $\frac{1}{4}$ "	8

X3-45 COACHES

Part No	Description	Qty
032938	Gasket, filler tube (round)	2
032777	Gasket, connection panel (square)	1

VEHICLES WITH WHEELCHAIR LIFT

Part No	Description	Qty
5001338	Bolt, M12 x45 (anti-static strap installation)	1
500806	Bolt, M12 x 35	3
500889	Bolt, M12 x 120	2
500958	Washer, SS	12
500811	Nut, M12	6

***NOTE***

*Material can be obtained through regular channels.*

## PROCEDURE



### DANGER

Park vehicle safely, apply parking brake, stop engine and set battery master switch(es) to the OFF position prior to working on the vehicle.

#### ***XLII-45 ENTERTAINER***

1. Replace the **round** gaskets (#032938, tot. qty: 4) at the filler tube fittings and elbow pipe. The inner gasket can be recovered and replaced by passing the gasket and fingers through the round opening and holding the elbow pipe found inside the tank with a rope and/or with the other hand (see figure 6 & 7).

***Properly tighten all nuts and bolts to prevent fuel leaks from the fittings and the connection panel***

2. Replace the **square** gasket (#032777, qty: 1) located under the fuel tank connection panel. First, disconnect the engine fuel supply and return line, the preheater fuel supply and return line and the fuel level sensor harness and then unscrew and lift the connection panel. The new gasket can be changed from over the connection panel as seen on figure 5 & 8.

***Before reinstalling the connection panel, check for loose gasket fragments inside the tank. If required, remove and pump fragments and diesel with a pneumatic pump into a temporary holding tank. Perform “REMOVING GASKET FRAGMENTS IN FUEL TANK AND FUEL SUPPLY LINE” and “INSTALLATION OF CONNECTION PANEL” procedures included in this bulletin.***



FIGURE 1

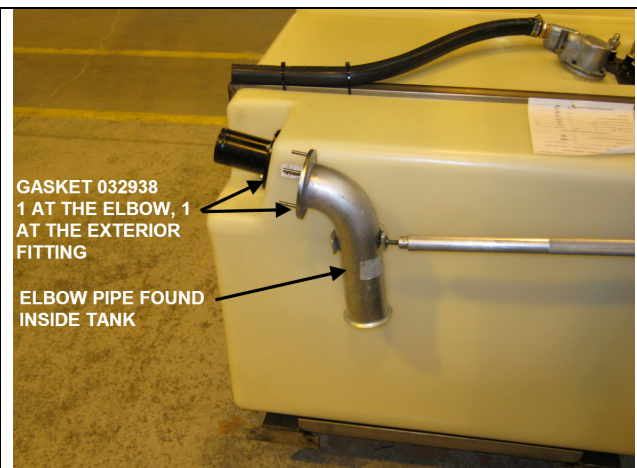


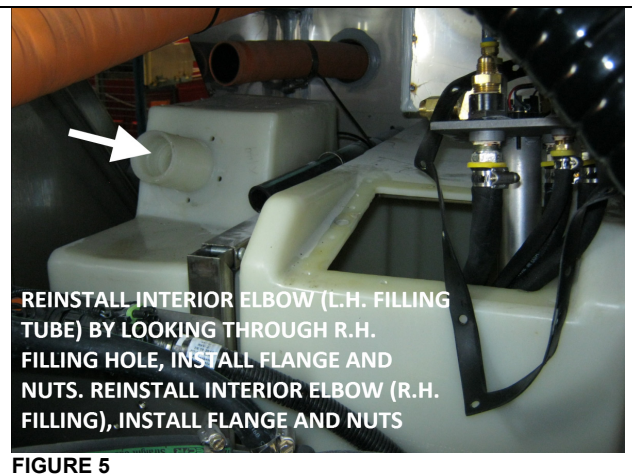
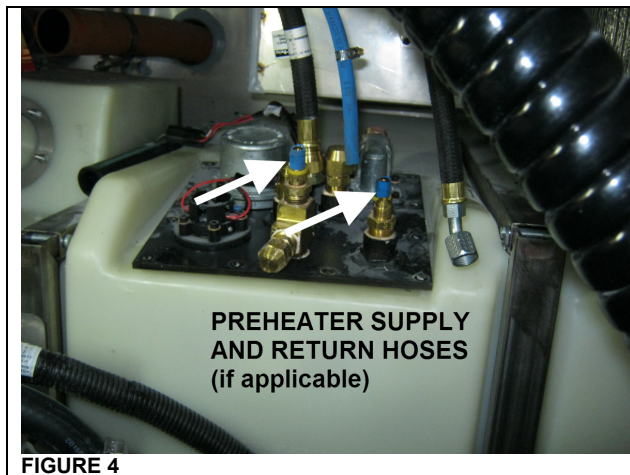
FIGURE 2

### H3 SERIES COACHES AND VIP VEHICLES

1. Replace the **round** gaskets (#032938, tot. qty: 2) found inside the tank, at the two elbow pipes (2 elbow pipes, 1 gasket per elbow pipe). The inner gasket can be recovered and replaced by passing the gasket and fingers through the round opening and holding the elbow pipe found inside the tank with a rope and/or with the other hand (see figure 6 & 7).

**Properly tighten all nuts and bolts to prevent fuel leaks from the fittings and the connection panel**

2. Replace the **square** gasket (#032014, qty: 1) located under the fuel tank connection panel. First, disconnect the engine fuel supply and return line, the preheater fuel supply and return line and the fuel level sensor harness and then unscrew and lift the connection panel. The new gasket can be changed from over the connection panel as seen on figure 5 & 8.



**Before reinstalling the connection panel, check for loose gasket fragments inside the tank. If required, remove and pump fragments and diesel with a pneumatic pump into a temporary holding tank. Perform "REMOVING GASKET FRAGMENTS IN FUEL TANK FUEL SUPPLY LINE" and "INSTALLATION OF CONNECTION PANEL" procedures included in this bulletin.**

## X3-45 COACHES

1. Replace the **round** gaskets (#032938, tot. qty: 2) at the fuel filler tube fitting and elbow pipe (1 outside the tank and 1 inside). The inner gasket can be recovered and replaced by passing the gasket and fingers through the round opening and holding the elbow pipe found inside the tank with a rope and/or with the other hand (see figure 6 & 7).

***Properly tighten all nuts and bolts to prevent fuel leaks from the fittings and the connection panel***

2. Replace the **square** gasket (#032777, qty: 1) located under the fuel tank connection panel. First, disconnect the engine fuel supply and return line, the preheater fuel supply and return line and the fuel level sensor harness and then unscrew and lift the connection panel. The new gasket can be changed from over the connection panel as seen on figure 5 & 8.

***Before reinstalling the connection panel, check for loose gasket fragments inside the tank. If required, remove and pump fragments and diesel with a pneumatic pump into a temporary holding tank. Perform "REMOVING GASKET FRAGMENTS IN FUEL TANK FUEL SUPPLY LINE" and "INSTALLATION OF CONNECTION PANEL" procedures included in this bulletin.***

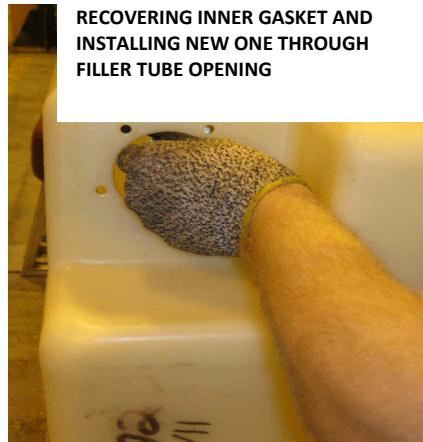


FIGURE 6



FIGURE 7



FIGURE 8

## REMOVING GASKET FRAGMENTS IN FUEL TANK AND FUEL SUPPLY LINE

1. Remove and pump fragments and diesel with a pneumatic pump into a temporary holding tank.
2. If there is lots of fragments at the bottom of the tank, close the engine fuel shut-off valve (figure 13) and disconnect the fuel supply line at the engine (figure 13). Blow air into the fuel supply line to remove gasket fragments. Connect the fuel line when completed. Replace one fuel filter if necessary (1x fuel filter p/n **20972293** if vehicle is equipped with a Davco Fuel Pro 382 fuel filter) (1 x fuel filter p/n **21380475** when not equipped with Davco Fuel Pro 382 fuel filter). If vehicle is equipped with a Davco Fuel Pro 382 fuel filter, remove the cartridge and clean the base by opening the valve and draining diesel fuel.

USE A PNEUMATIC PUMP TO SUCK DEBRIS AND FUEL FROM THE FUEL TANK TO THE HOLDING TANK.

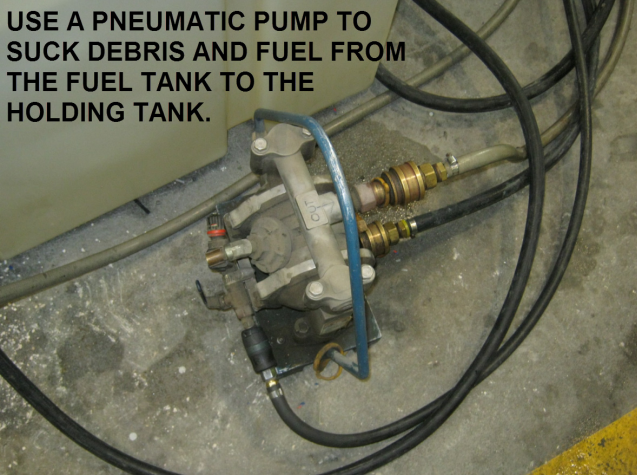


FIGURE 9

PUMPING DEBRIS AT THE BOTTOM OF THE TANK WITH 1/2" PIPE ON SUCTION HOSE

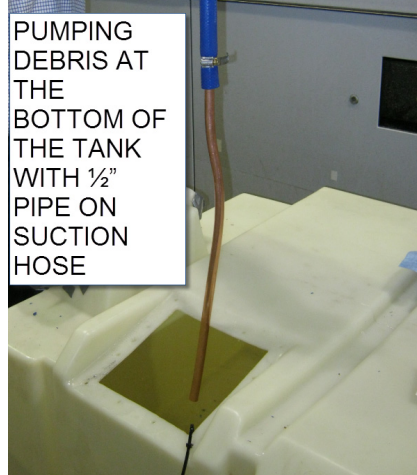


FIGURE 10

ADD A FILTER ON SUCTION HOSE WHEN RETURNING FUEL INTO VEHICLE FUEL TANK



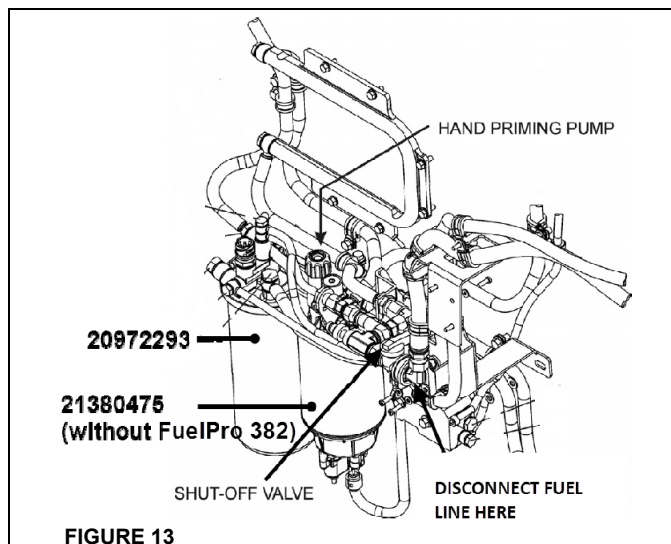
FIGURE 11

FILTER ON SUCTION HOSE INSIDE HOLDING TANK AT TIME OF TRANSFERRING FUEL BACK INTO COACH TANK



FIGURE 12

3. Once reinstallation is complete, re-open the fuel shut-off valve and bleed the fuel supply line with the hand priming pump to eliminate air in the fuel line (figure 13).



## INSTALLATION OF CONNECTION PANEL

1. Put Teflon sealant onto connection panel fixing bolts.

---

***Properly tighten all nuts and bolts to prevent fuel leaks from the fittings and the connection panel***

---

2. Retighten nuts and bolts firmly.



## VEHICLES EQUIPPED WITH WHEELCHAIR LIFT REMOVAL OF THE FUEL TANK

### MATERIAL

Part No	Description	Qty
5001338	Bolt, M12 x45 (anti-static strap installation)	1
500806	Bolt, M12 x 35	3
500889	Bolt, M12 x 120	2
500958	Washer, SS	12
500811	Nut, M12	6

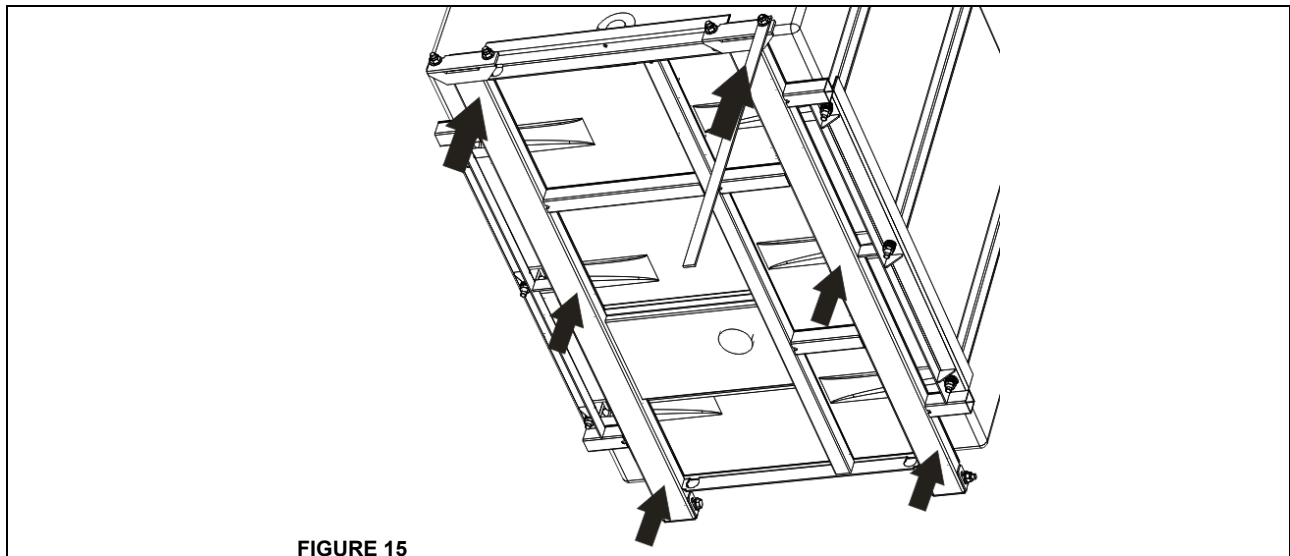
### *NOTE*

*Material can be obtained through regular channels.*

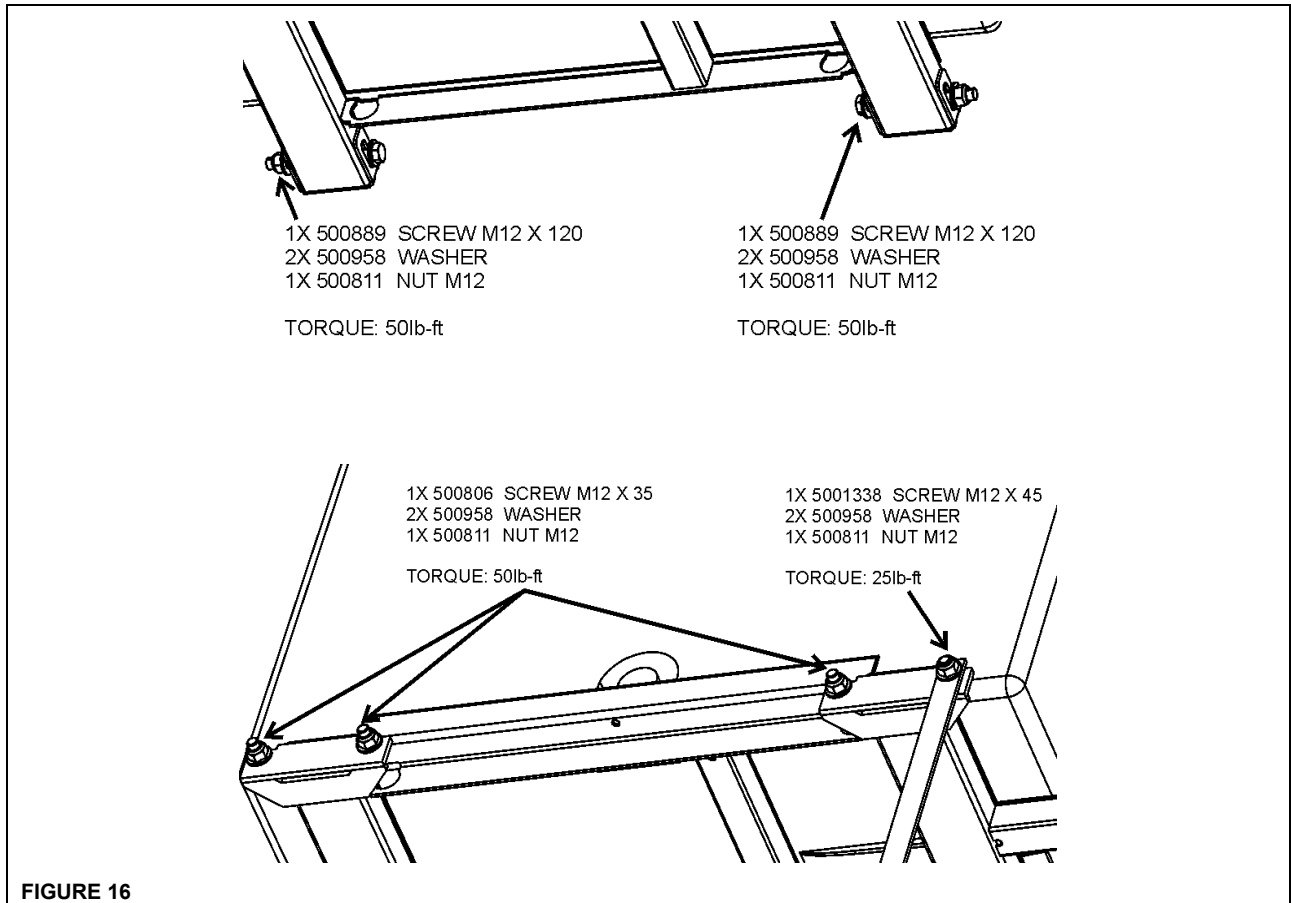
### PROCEDURE

**Because of limited access due to reinforcement members added on vehicles equipped with a wheelchair lift system, it is necessary to remove the fuel tank to perform replacement of gaskets.**

1. Disconnect fuel supply and return lines, electrical harness and vent tubes, etc. from the fuel tank connection panel.
2. Place six jack stands under the fuel tank support as shown on the image below (figure 15).
3. Dismount tank support from vehicle.
4. Lift the vehicle to gain access to the fuel tank connection panel and filler tube fittings.







5. Replace the fuel tank gaskets and remove gaskets fragments in the fuel tank and fuel filter as explained in the previous section of this bulletin.
6. Reinstall the fuel tank. Bolt the support to the structure using **new** hardware (bolts, washers and nuts).
  - Tighten bolts to 50 lb-ft (5 bolts)
  - Tighten bolts to 25 lb-ft (with static wick)
7. Apply Valvoline anticorrosion compound or similar product on the bolts and nuts.

## **PARTS / WASTE DISPOSAL**

Discard waste according to applicable environmental regulations (Municipal/State[Prov.]/ Federal)

## **WARRANTY**

The working time required to perform this warranty bulletin is approximately 4 hours.

This modification is covered by Prevost's normal warranty. We will reimburse you the parts and four hours (4.0) of labor upon receipt of a completed A.F.A. form on which you must specify as per "Warranty Bulletin 11-32".

## **OTHER**

Bulletin VBC	N/A
Fail Code	03.01
Defect Code	09
System Condition	B
Causal Parts	032777